

PLUGS AND SOCKETS with Screw Terminals

- IEC 60309-1/2, EN 60309, VDE 0623
- Protection degree IP44, IP67

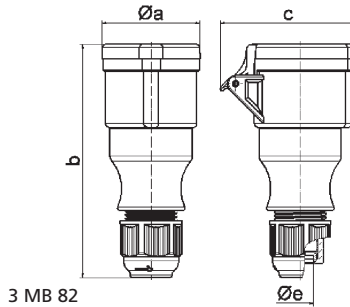
Connector with Multi-Grip

- Screw terminals
- One-piece enclosure
- Special gland, simultaneous cable gland and seal
- Protection degree IP44

Ampere	Poles	110V 50-60 Hz			230V 50-60 Hz			400V 50-60 Hz			500V 50-60 Hz			100-300Hz > 50V			301-500Hz > 50V			Qty	each	
		2P+E	3P+E	3P+N+E	3pol 4h	4pol 4h	5pol 4h	3pol 6h	4pol 9h	5pol 9h	3pol 9h	4pol 6h	5pol 6h	3pol 7h	4pol 7h	5pol 7h	3pol 10h	4pol 10h	5pol 10h			3pol 2h
16	3				31000-TLS				31001-TLS												10	140
16	4				31003-TLS				31004-TLS												10	160
16	5				31009-TLS				31010-TLS												10	180
32	3				31012-TLS				31013-TLS												10	240
32	4				31015-TLS				31016-TLS												10	250
32	5				31021-TLS				31022-TLS												10	260



Fig.: Type 304-TLS



3 MB 82

Ampere	16	16	16	32	32	32
Poles	3	4	5	3	4	5
a ø	51.0	58.0	65.0	67.0	67.0	73.0
b	145.0	148.0	156.0	185.0	185.0	185.0
c	74.0	84.0	90.0	94.0	94.0	102.0
e ø	18.0	18.0	18.0	23.0	23.0	23.0
Cond. mm² min	1	1	1	2.5	2.5	2.5
Cond. mm² max	2.5	2.5	2.5	6	6	6

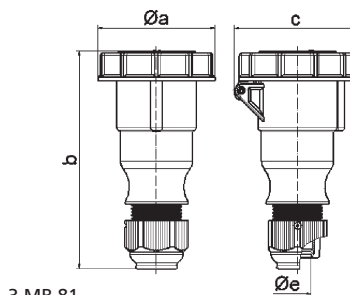
Connector with Multi-Grip

- Screw terminals
- Nickel plated contacts
- One-piece enclosure
- Special gland, simultaneous cable gland and seal
- Protection degree IP67

Ampere	Poles	110V 50-60 Hz			230V 50-60 Hz			400V 50-60 Hz			500V 50-60 Hz			100-300Hz > 50V			301-500Hz > 50V			Qty	each	
		2P+E	3P+E	3P+N+E	3pol 4h	4pol 4h	5pol 4h	3pol 6h	4pol 9h	5pol 9h	3pol 9h	4pol 6h	5pol 6h	3pol 7h	4pol 7h	5pol 7h	3pol 10h	4pol 10h	5pol 10h			3pol 2h
16	3				310331				310333												10	175
16	4				310338				310339												10	200
16	5				310344				310345												10	220
32	3				310350				310351												10	305
32	4				310356				310357												10	315
32	5				310362				310363												10	360



Fig.: Type 310346



3 MB 81

Ampere	16	16	16	32	32	32
Poles	3	4	5	3	4	5
a ø	70.5	78.0	86.5	94.0	94.0	101.5
b	154.0	155.0	160.0	190.0	190.0	190.0
c	77.0	83.0	93.0	99.0	99.0	107.0
e ø	18.0	18.0	18.0	23.0	23.0	23.0
Cond. mm² min	1	1	1	2.5	2.5	2.5
Cond. mm² max	2.5	2.5	2.5	6	6	6