

APPLIANCE INLETS WITH FLANGE, straight

- IEC 60309-1/2, EN 60309, VDE 0623
- Protection degree IP44

Appliance Inlet with Flange Quick-Connect

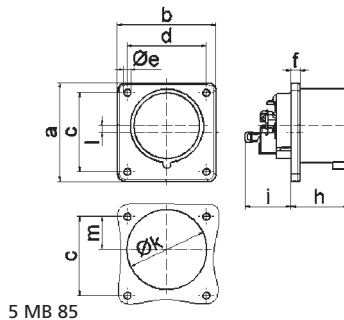
- Screwless terminals
- Flange 75 x 75 mm
- Protection degree IP44

(If used, a retaining nose must be provided.)



Fig.: Type 282002

Ampere	Poles	110V 50-60 Hz	230V 50-60 Hz	400V 50-60 Hz	500V 50-60 Hz	100-300Hz > 50V	301-500Hz > 50V	Qty	each
		3pol 4pol 5pol 4h 4h 4h	3pol 4pol 5pol 6h 9h 9h	3pol 4pol 5pol 9h 6h 6h	3pol 4pol 5pol 7h 7h 7h	3pol 4pol 5pol 10h 10h 10h	3pol 4pol 5pol 2h 2h 2h		
16	3	28001	28111				28002	10	90
16	4	28003	28017	28112	28004		28005	10	105
16	5		28006	282001			28008	10	125
32	3	28009	28010					10	145
32	4		28011	28012	28013			10	165
32	5	28014	28015	282002				10	195



5 MB 85

Ampere Poles	16 3	16 4	16 5	32 3	32 4	32 5
a	75.0	75.0	75.0	75.0	75.0	75.0
b	75.0	75.0	75.0	75.0	75.0	75.0
c	60.0	60.0	60.0	60.0	60.0	60.0
d	60.0	60.0	60.0	60.0	60.0	60.0
e ø	5.5	5.5	5.5	5.5	5.5	5.5
f	7.0	7.0	7.0	7.0	7.0	7.0
h	43.0	43.0	43.0	53.0	53.0	53.0
i	39.0	39.0	39.0	50.0	50.0	50.0
k ø	42.0	48.0	61.0	57.0	57.0	60.0
l	-	-	5.0	2.0	2.0	-
m	30.0	30.0	25.0	28.0	28.0	30.0
Cond. mm² min	1	1	1	2.5	2.5	2.5
Cond. mm² max	2.5	2.5	2.5	6	6	6

Appliance Inlet with Flange

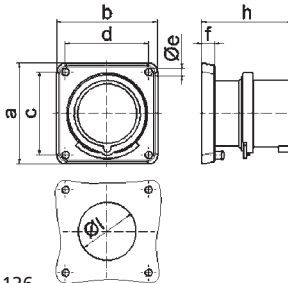
- Screw terminals
- Protection degree IP44

(If used, a retaining nose must be provided.)



Fig.: Type 28108

Ampere	Poles	110V 50-60 Hz	230V 50-60 Hz	400V 50-60 Hz	500V 50-60 Hz	100-300Hz > 50V	301-500Hz > 50V	Qty	each
		3pol 4pol 5pol 4h 4h 4h	3pol 4pol 5pol 6h 9h 9h	3pol 4pol 5pol 9h 6h 6h	3pol 4pol 5pol 7h 7h 7h	3pol 4pol 5pol 10h 10h 10h	3pol 4pol 5pol 2h 2h 2h		
16	3		2898					10	155
16	4			28100				10	170
16	5			28102				10	185
32	3		28104					10	
32	4			28106				10	
32	5			28108				10	240



5 MB 126

Ampere Poles	16 3	16 4	16 5	32 3	32 4	32 5
a	85.0	85.0	85.0	85.0	85.0	85.0
b	85.0	85.0	85.0	85.0	85.0	85.0
c	70.0	70.0	70.0	70.0	70.0	70.0
d	70.0	70.0	70.0	70.0	70.0	70.0
e ø	6.3	6.3	6.3	6.3	6.3	6.3
f	11.0	11.0	11.0	11.0	11.0	11.0
h	75.5	75.0	76.5	85.0	85.0	85.0
l ø	49.0	49.0	49.0	49.0	49.0	49.0
Cond. mm² min	1	1	1	2.5	2.5	2.5
Cond. mm² max	2.5	2.5	2.5	6	6	6

Appliance Inlet with Flange

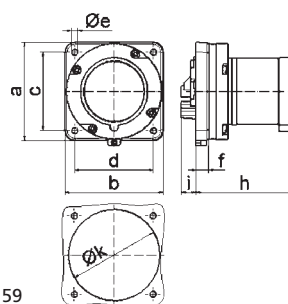
- Screw terminals
- Box terminals
- High-temperature-resistant contact carrier
- Nickel plated contacts
- Protection degree IP44

(If used, a retaining nose must be provided.)



Fig.: Type 2837

Ampere	Poles	110V 50-60 Hz	230V 50-60 Hz	400V 50-60 Hz	500V 50-60 Hz	100-300Hz > 50V	301-500Hz > 50V	Qty	each
		3pol 4pol 5pol 4h 4h 4h	3pol 4pol 5pol 6h 9h 9h	3pol 4pol 5pol 9h 6h 6h	3pol 4pol 5pol 7h 7h 7h	3pol 4pol 5pol 10h 10h 10h	3pol 4pol 5pol 2h 2h 2h		
63	3	2880	2834			2869		5	465
63	4		2841	2833	2864			5	530
63	5			2837	2858			5	580



5 MB 59

Ampere Poles	63 3	63 4	63 5
a	110.0	110.0	110.0
b	106.0	106.0	106.0
c	90.0	90.0	90.0
d	90.0	90.0	90.0
e ø	5.5	5.5	5.5
f	13.0	13.0	13.0
h	96.0	96.0	96.0
i	19.0	19.0	19.0
k	93.0	93.0	93.0
Cond. mm² min	6	6	6
Cond. mm² max	16	16	16