

APPLIANCE INLETS WITH FLANGE

- IEC 60309-1/2, EN 60309, VDE 0623
- Protection degree IP67

Appliance Inlet with Flange Quick-Connect TE

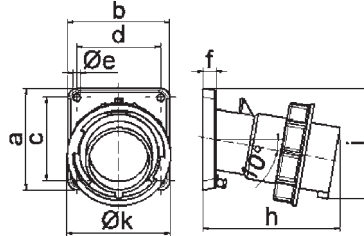
- Screwless terminals
- 10° angled
- High-temperature-resistant contact carrier
- Nickel plated contacts
- Protection degree IP67

Accessories: closure cap, see page 102/3

| Ampere | Poles | 110V 50-60 Hz | | | 230V 50-60 Hz | | | 400V 50-60 Hz | | | 500V 50-60 Hz | | | 100-300Hz > 50V | | | 301-500Hz > 50V | | | Qty | each |
|--------|-------|------------------|------------|------------|------------------|------------|------------|------------------|------------|------------|------------------|------------|------------|--------------------|-------------|-------------|--------------------|------------|------------|-----|------|
| | | 3pol 4h | 4pol 4h | 5pol 4h | 3pol 6h | 4pol 9h | 5pol 9h | 3pol 9h | 4pol 6h | 5pol 6h | 3pol 7h | 4pol 7h | 5pol 7h | 3pol 10h | 4pol 10h | 5pol 10h | 3pol 2h | 4pol 2h | 5pol 2h | | |
| 16 | 3 | 27227 | | | 2783 | | | 27228 | | | | | | | | | | | 10 | 175 | |
| 16 | 4 | 27229 | | | 2786 | | | 2787 | | | | | | | | | | | 10 | 220 | |
| 16 | 5 | 27233 | | | 27234 | | | 2793 | | | | | | | | | | | 10 | 245 | |
| 32 | 3 | 27235 | | | 27236 | | | 27237 | | | | | | | | | | | 10 | 275 | |
| 32 | 4 | 27238 | | | 27239 | | | 27240 | | | | | | | | | | | 10 | 295 | |
| 32 | 5 | 27244 | | | 27245 | | | 27246 | | | | | | | | | | | 10 | 335 | |



Fig.: Type 2793



5 MB 22

| Ampere Poles | 16 3 | 16 4 | 16 5 | 32 3 | 32 4 | 32 5 |
|---------------|-------|-------|-------|-------|-------|-------|
| a | 85.0 | 85.0 | 85.0 | 85.0 | 85.0 | 85.0 |
| b | 85.0 | 85.0 | 85.0 | 85.0 | 85.0 | 85.0 |
| c | 70.0 | 70.0 | 70.0 | 70.0 | 70.0 | 70.0 |
| d | 70.0 | 70.0 | 70.0 | 70.0 | 70.0 | 70.0 |
| e ø | 6.3 | 6.3 | 6.3 | 6.3 | 6.3 | 6.3 |
| f | 11.0 | 11.0 | 11.0 | 11.0 | 11.0 | 11.0 |
| h | 104.0 | 110.0 | 116.0 | 121.0 | 121.0 | 127.0 |
| i | 83.0 | 90.0 | 92.0 | 96.0 | 96.0 | 100.0 |
| k | 70.5 | 79.5 | 86.5 | 95.0 | 95.0 | 101.5 |
| Cond. mm² min | 1 | 1 | 1 | 2.5 | 2.5 | 2.5 |
| Cond. mm² max | 2.5 | 2.5 | 2.5 | 6 | 6 | 6 |

Appliance Inlet with Flange TE

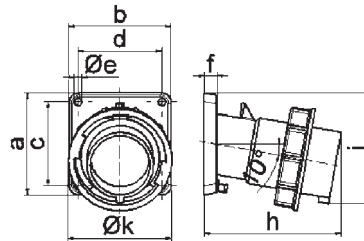
- Screw terminals
- 10° angled
- Box terminals
- High-temperature-resistant contact carrier
- Nickel plated contacts
- Protection degree IP67

Accessories: closure cap, see page 102/3

| Ampere | Poles | 110V 50-60 Hz | | | 230V 50-60 Hz | | | 400V 50-60 Hz | | | 500V 50-60 Hz | | | 100-300Hz > 50V | | | 301-500Hz > 50V | | | Qty | each |
|--------|-------|------------------|------------|------------|------------------|------------|------------|------------------|------------|------------|------------------|------------|------------|--------------------|-------------|-------------|--------------------|------------|------------|-----|------|
| | | 3pol 4h | 4pol 4h | 5pol 4h | 3pol 6h | 4pol 9h | 5pol 9h | 3pol 9h | 4pol 6h | 5pol 6h | 3pol 7h | 4pol 7h | 5pol 7h | 3pol 10h | 4pol 10h | 5pol 10h | 3pol 2h | 4pol 2h | 5pol 2h | | |
| 63 | 3 | 27006 | | | 27007 | | | 27008 | | | | | | | | | | | 5 | 575 | |
| 63 | 4 | 27009 | | | 27010 | | | 27011 | | | | | | | | | | | 5 | 640 | |
| 63 | 5 | 27015 | | | 27016 | | | 27017 | | | | | | | | | | | 5 | 695 | |



Fig.: Type 27017



5 MB 22

| Ampere Poles | 63 3 | 63 4 | 63 5 |
|---------------|-------|-------|-------|
| a | 107.0 | 107.0 | 107.0 |
| b | 100.0 | 100.0 | 100.0 |
| c | 85.0 | 85.0 | 85.0 |
| d | 77.0 | 77.0 | 77.0 |
| e ø | 6.5 | 6.5 | 6.5 |
| f | 12.0 | 12.0 | 12.0 |
| h | 155.0 | 155.0 | 155.0 |
| i | 118.0 | 118.0 | 118.0 |
| k | 113.5 | 113.5 | 113.5 |
| Cond. mm² min | 6 | 6 | 6 |
| Cond. mm² max | 16 | 16 | 16 |

Appliance Inlet with Flange TE

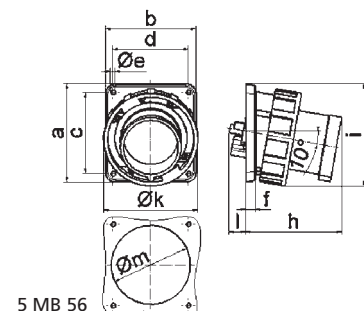
- Screw terminals
- 10° angled
- Box terminals
- High-temperature-resistant contact carrier
- Nickel plated contacts
- Protection degree IP67

Accessories: closure cap, see page 102/3

| Ampere | Poles | 110V 50-60 Hz | | | 230V 50-60 Hz | | | 400V 50-60 Hz | | | 500V 50-60 Hz | | | 100-300Hz > 50V | | | 301-500Hz > 50V | | | Qty | each |
|--------|-------|------------------|------------|------------|------------------|------------|------------|------------------|------------|------------|------------------|------------|------------|--------------------|-------------|-------------|--------------------|------------|------------|------|------|
| | | 3pol 4h | 4pol 4h | 5pol 4h | 3pol 6h | 4pol 9h | 5pol 9h | 3pol 9h | 4pol 6h | 5pol 6h | 3pol 7h | 4pol 7h | 5pol 7h | 3pol 10h | 4pol 10h | 5pol 10h | 3pol 2h | 4pol 2h | 5pol 2h | | |
| 125 | 3 | 2735 | | | 2736 | | | 2737 | | | | | | | | | | | 5 | 905 | |
| 125 | 4 | 2738 | | | 2739 | | | 2740 | | | | | | | | | | | 5 | 1020 | |
| 125 | 5 | 2742 | | | 2743 | | | 2744 | | | | | | | | | | | 5 | 1115 | |



Fig.: Type 2744



5 MB 56

| Ampere Poles | 125 3 | 125 4 | 125 5 |
|---------------|-------|-------|-------|
| a | 130.0 | 130.0 | 130.0 |
| b | 120.0 | 120.0 | 120.0 |
| c | 108.0 | 108.0 | 108.0 |
| d | 100.0 | 100.0 | 100.0 |
| e ø | 6.5 | 6.5 | 6.5 |
| f | 13.0 | 13.0 | 13.0 |
| h | 130.0 | 130.0 | 130.0 |
| i | 135.0 | 135.0 | 135.0 |
| k | 126.0 | 126.0 | 126.0 |
| l | 23.0 | 23.0 | 23.0 |
| m ø | 105.0 | 105.0 | 105.0 |
| Cond. mm² min | 16 | 16 | 16 |
| Cond. mm² max | 50 | 50 | 50 |