


SERIES
TAURUS
ZD\ FRQQHFWRU

- IP44 •  for severe conditions • 16A 250V~ • rubber and solid rubber

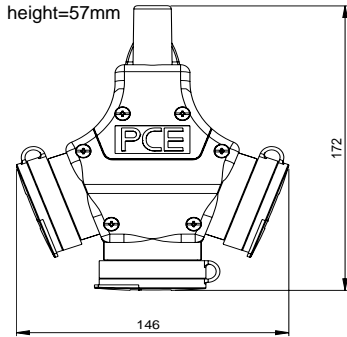


cap with band

assembly area
on terminals (also
connector terminal)

- contact carriers integrated in housing
- own contact elements
- open cable clamp
- ready wired on main terminal (PH1)
- cap with band

ZD\ FRQQHFWRU UXEEHU ZLWK FDS ,3



- with cap
- Insert: polyamide
- Ready pre-wired on main terminal

IP44 splashproof



contact carriers:	acc. Austrian/German system	acc. French/Belgian System
Polyamide	V	V
Polyamide with shutter	V F	V F

pack.unit: 5 pcs.

ZD\ FRQQHFWRUV ZLWK KLQJHG OLG VHH SDJH

ZD\ FRQQHFWRU UXEEHU ZLWK FDS DQG SROH FRQQHFWRU ,3



- 5-pole connector terminal
- With cap
- Insert: polyamide
- Ready pre-wired on main terminal

IP44 splashproof



contact carriers:	acc. Austrian/German system	acc. French/Belgian System
Polyamide	V	V
Polyamide with shutter		V F

pack.unit: 5 pcs.

ZD\ FRQQHFWRUV ZLWK KLQJHG OLG VHH SDJH

