

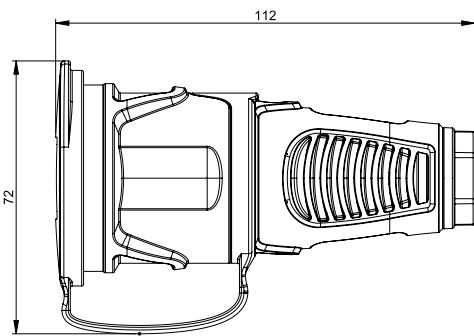
Connector IP54 with cap

Safety connector Series TAURUS²

- rubber version (housing TPE, contact carriers PA6) or
- solid rubber version (housing TPE, contact carriers TPE)
- Austrian/German or French/Belgian system
- with or without shutter
- with cap and band
- color (housing/ring): black/red (standard)
- Protection class: IP54 splashproof



2521-sr



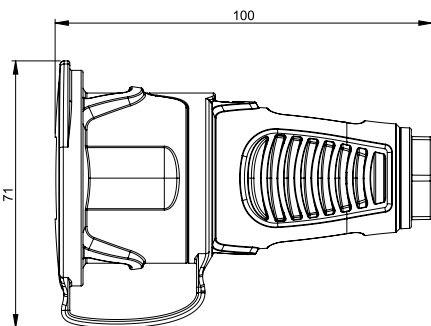
Austrian/German system



Version	Rubber	Solid rubber
contact carriers	Polyamide (PA6)	Rubber (TPE)
Austrian/German	2511-sr	2521-sr
Austrian/German with shutter	2511-src	–



pack. unit = 20 pcs. (minimum order quantity)



French/Belgian system



Version	Rubber	Solid rubber
contact carriers	Polyamide (PA6)	Rubber (TPE)
French/Belgian	2411-sr	–
French/Belgian with shutter	NF 2411-src	–



pack. unit = 20 pcs. (minimum order quantity)



Special colors ring (MOQ 200 pcs.)	black	orange	yellow	green	blue	white	dark gray
Austrian/German rubber	2511-ss	2511-so	2511-she	2511-shu	2511-sb	2511-sw	2511-sdg
Austrian/German rubber with shutter	2511-ssc	2511-soc	2511-shec	2511-shuc	2511-sbc	2511-swc	2511-sdgc
Austrian/German solid rubber	2521-ss	2521-so	2521-she	2521-shu	2521-sb	2521-sw	2521-sdg
French/Belgian rubber	2411-ss	2411-so	2411-she	2411-shu	2411-sb	2411-sw	2411-sdg
French/Belgian rubber with shutter	2411-ssc	2411-soc	2411-shec	2411-shuc	2411-sbc	2411-swc	2411-sdgc



Special colors housing (MOQ 500 pcs.)	red	orange	yellow	green	blue	light gray	anthracite
Austrian/German rubber	2511-rs	2511-os	2511-es	2511-us	2511-bs	2511-gs	2511-as
Austrian/German rubber with shutter	2511-rsc	2511-osc	2511-esc	2511-usc	2511-bsc	2511-gsc	2511-asc
Austrian/German solid rubber	2521-rs	2521-os	2521-es	2521-us	2521-bs	2521-gs	2521-as
French/Belgian rubber	2411-rs	2411-os	2411-es	2411-us	2411-bs	2411-gs	2411-as
French/Belgian rubber with shutter	2411-rsc	2411-osc	2411-esc	2411-usc	2411-bsc	2411-gsc	2411-asc


TOPTAURUS²

Der Schutzkontaktstecker

The new series TOPTAURUS² safety plugs and connectors is now even easier to assemble thanks to the innovative quick locking system: the completely new design in the rubberized housing allows for the shortest connection times and outstanding haptics - optionally with LED voltage indicator (connector).



100%
MADE IN AUSTRIA

- for severe conditions 
- 16A 250V~
- dual earthing system

Torques:
contact screws: 80Ncm
housing (strain relief): 400Ncm

STRONG- QUICK- UNIQUE

- (minimum assembly time due to screwless quick locking system for the housing cover and strain relief
- (rubberized surface for optimum feel and perfect grip
- (easy mounting and dismounting of the contact carrier
- (open contact screws - all operable from one direction
- (connector: LED operating voltage indicator (optional)



6 COLORS AVAILABLE



Standard
black/red

Midnight
black/black

Special colors
on request

LED operating voltage indicator
for visual indication if voltage is present.
(suitable for repeating tests)



QUICK & EASY ASSEMBLY

1 Push in direction of the arrow to unlock contact carrier



2 Pull out contact carrier



3 Insert and connect cable

4 Tighten housing cover
contact carrier is automatically locked and
strain relief is tightened



READY!

