

PLUGS

- IEC 60309-1/2, EN 60309, VDE 0623
- Protection degree IP67

Plug TE-Plus with Multi-Grip

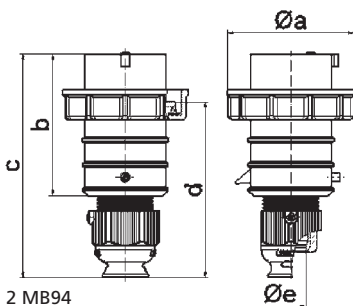
- Screwless terminals
- High-temperature-resistant contact carrier
- Nickel plated contacts
- Special gland, simultaneous cable gland and seal
- Protection degree IP67

Accessories:
Closure cap: see page 102/3

2P+E Ampere	3P+E Poles	110V 50-60 Hz			230V 50-60 Hz			400V 50-60 Hz			500V 50-60 Hz			100-300Hz > 50V			301-500Hz > 50V			Qty	each
		3pol 4h	4pol 4h	5pol 4h	3pol 6h	4pol 9h	5pol 9h	3pol 9h	4pol 6h	5pol 6h	3pol 7h	4pol 7h	5pol 7h	3pol 10h	4pol 10h	5pol 10h	3pol 2h	4pol 2h	5pol 2h		
16	3	21237			21238			21402			21487			21453			21558			10	150
16	4	21403			21250			21349			21350			21404			21105			10	175
16	5	21406			21407			21239			21754			21564			21533			10	215
32	3	21408			21240			21409			21486			21545			210222			10	285
32	4	21410			21251			21351			21352			21411			21412			10	335
32	5	21413			21414			21241			21282			21484			210234			10	385



Fig.: Type 21239



2 MB94

Ampere Poles	16 3	16 4	16 5	32 3	32 4	32 5
a Ø	70.0	78.0	86.0	94.0	94.0	101.0
b	95.0	95.0	97.0	118.0	118.0	117.0
c	145.0	145.0	152.0	178.0	178.0	181.0
d	111.0	111.0	119.0	136.0	136.0	138.5
e Ø	18.0	18.0	21.0	23.0	23.0	27.0
Cond. mm² min	1	1	1	2.5	2.5	2.5
Cond. mm² max	2.5	2.5	2.5	6	6	6

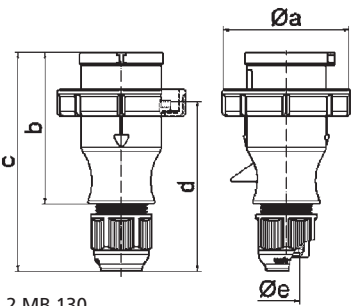
Plug with Multi-Grip

- Screw terminals
- Nickel plated contacts
- One-piece enclosure
- Special gland, simultaneous cable gland and seal
- Protection degree IP67

2P+E Ampere	3P+E Poles	110V 50-60 Hz			230V 50-60 Hz			400V 50-60 Hz			500V 50-60 Hz			100-300Hz > 50V			301-500Hz > 50V			Qty	each
		3pol 4h	4pol 4h	5pol 4h	3pol 6h	4pol 9h	5pol 9h	3pol 9h	4pol 6h	5pol 6h	3pol 7h	4pol 7h	5pol 7h	3pol 10h	4pol 10h	5pol 10h	3pol 2h	4pol 2h	5pol 2h		
16	3	210575			210576			210577												10	155
16	4	210581			210582			210583												10	170
16	5	210587			210588			210589												10	170
32	3	210593			210594			210595												10	243
32	4	210599			210600			210601												10	255
32	5	210605			210606			210607												10	305



Fig.: Type 210589



2 MB 130

Ampere Poles	16 3	16 4	16 5	32 3	32 4	32 5
a Ø	70.0	78.0	86.0	94.0	94.0	101.0
b	94.5	98.0	101.0	115.0	115.0	119.0
c	138.0	142.0	145.0	170.0	170.0	174.0
d	105.5	109.5	112.5	128.0	128.0	132.0
e Ø	18.0	18.0	18.0	23.0	23.0	23.0
Cond. mm² min	1	1	1	2.5	2.5	2.5
Cond. mm² max	2.5	2.5	2.5	6	6	6

Plug TE-Plus with Multi-Grip

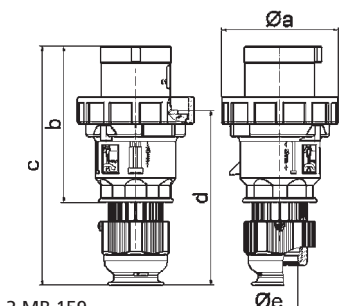
- High-temperature-resistant contact carrier
- Nickel plated contacts
- Special gland, simultaneous cable gland and seal
- Screwless enclosure connection, self locking
- Protection degree IP67

Accessories: Closure cap: see page 102/3

2P+E Ampere	3P+E Poles	110V 50-60 Hz			230V 50-60 Hz			400V 50-60 Hz			500V 50-60 Hz			100-300Hz > 50V			301-500Hz > 50V			Qty	each
		3pol 4h	4pol 4h	5pol 4h	3pol 6h	4pol 9h	5pol 9h	3pol 9h	4pol 6h	5pol 6h	3pol 7h	4pol 7h	5pol 7h	3pol 10h	4pol 10h	5pol 10h	3pol 2h	4pol 2h	5pol 2h		
		QUICK-CONNECT®																			
63	4							210762			210764									5	720
63	5							210766												5	770
		Screw terminal:																			
63	3	2180			2181			2182			21330									5	590
63	4	2183			2184			2185			2186			21154			21375			5	650
63	5	2187			2188			2189			21060			21645			21163			5	705



Fig.: Type 210766



2 MB 159

Ampere Poles	63 3	63 4	63 5
a Ø	113.5	113.5	113.5
b	153.0	153.0	153.0
c	233.0	233.0	233.0
d	171.0	171.0	171.0
e Ø	36.0	36.0	36.0
Cond. mm² min	6	6	6
Cond. mm² max	16	16	16