

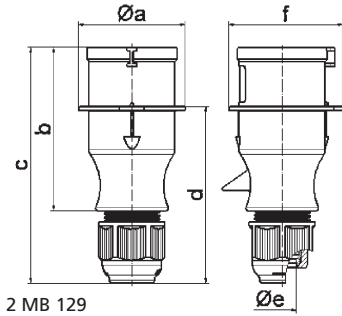
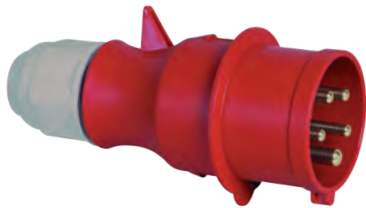
# PLUGS AND SOCKETS with Screw Terminals

- IEC 60309-1/2, EN 60309, VDE 0623
- Protection degree IP44, IP67

## Plug with Multi-Grip

- Screw terminals
- One-piece enclosure
- Special gland, simultaneous cable gland and seal
- Protection degree IP44

Ampere	Poles	110V 50-60 Hz			230V 50-60 Hz			400V 50-60 Hz			500V 50-60 Hz			100-300Hz > 50V			301-500Hz > 50V			Qty	each
		2P+E 4h	3P+E 4h	3P+N+E 4h	3pol 4h	4pol 4h	5pol 4h	3pol 6h	4pol 9h	5pol 9h	3pol 9h	4pol 6h	5pol 6h	3pol 7h	4pol 7h	5pol 7h	3pol 10h	4pol 10h	5pol 10h		
16	3				21000-TLS				21001-TLS											10	120
16	4				21003-TLS				21004-TLS											10	130
16	5				21009-TLS				21010-TLS											10	150
32	3				21012-TLS				21013-TLS											10	200
32	4				21015-TLS				21016-TLS											10	220
32	5				21021-TLS				21022-TLS											10	250



Ampere	16	16	16	32	32	32
Poles	3	4	5	3	4	5
a ø	54.0	60.0	66.0	71.0	71.0	80.0
b	94.5	98.0	101.0	115.0	115.0	119.0
c	138.0	142.0	145.0	170.0	170.0	174.0
d	101.5	105.5	108.5	124.0	124.0	128.0
e ø	18.0	18.0	18.0	23.0	23.0	23.0
f	56.6	64.0	71.0	76.0	76.0	85.0
Cond. mm² min	1	1	1	2.5	2.5	2.5
Cond. mm² max	2.5	2.5	2.5	6	6	6

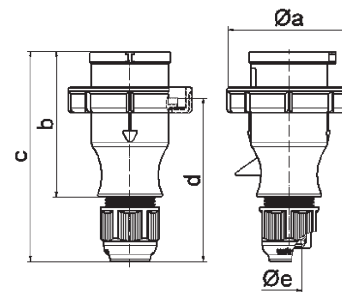
Fig.: Type 204-TLS

2 MB 129

## Plug with Multi-Grip

- Screw terminals
- Nickel plated contacts
- One-piece enclosure
- Special gland, simultaneous cable gland and seal
- Protection degree IP67

Ampere	Poles	110V 50-60 Hz			230V 50-60 Hz			400V 50-60 Hz			500V 50-60 Hz			100-300Hz > 50V			301-500Hz > 50V			Qty	each	
		2P+E 4h	3P+E 4h	3P+N+E 4h	3pol 4h	4pol 4h	5pol 4h	3pol 6h	4pol 9h	5pol 9h	3pol 9h	4pol 6h	5pol 6h	3pol 7h	4pol 7h	5pol 7h	3pol 10h	4pol 10h	5pol 10h			3pol 2h
16	3				210575				210576												10	155
16	4				210581				210582												10	170
16	5				210587				210588												10	170
32	3				210593				210594												10	243
32	4				210599				210600												10	255
32	5				210606				210606												10	305



Ampere	16	16	16	32	32	32
Poles	3	4	5	3	4	5
a ø	70.0	78.0	86.0	94.0	94.0	101.0
b	94.5	98.0	101.0	115.0	115.0	119.0
c	138.0	142.0	145.0	170.0	170.0	174.0
d	105.5	109.5	112.5	128.0	128.0	132.0
e ø	18.0	18.0	18.0	23.0	23.0	23.0
Cond. mm² min	1	1	1	2.5	2.5	2.5
Cond. mm² max	2.5	2.5	2.5	6	6	6

Fig.: Type 210589

2 MB 130