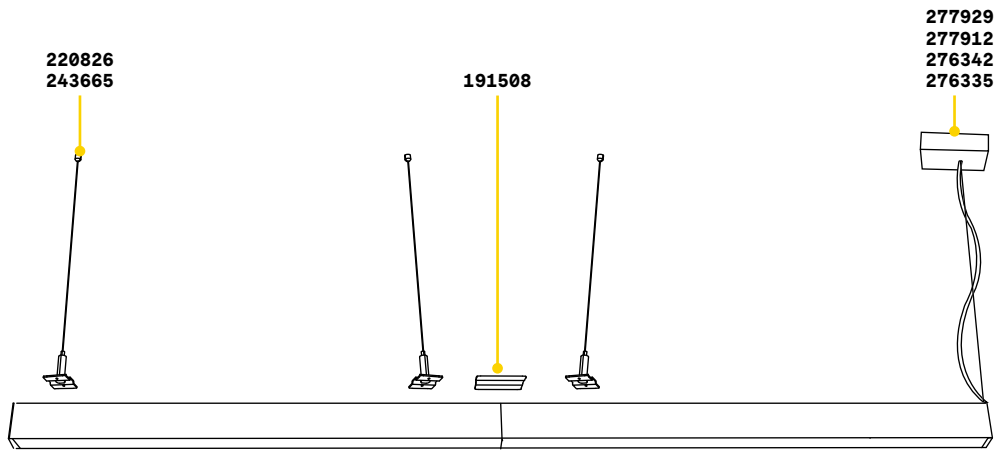
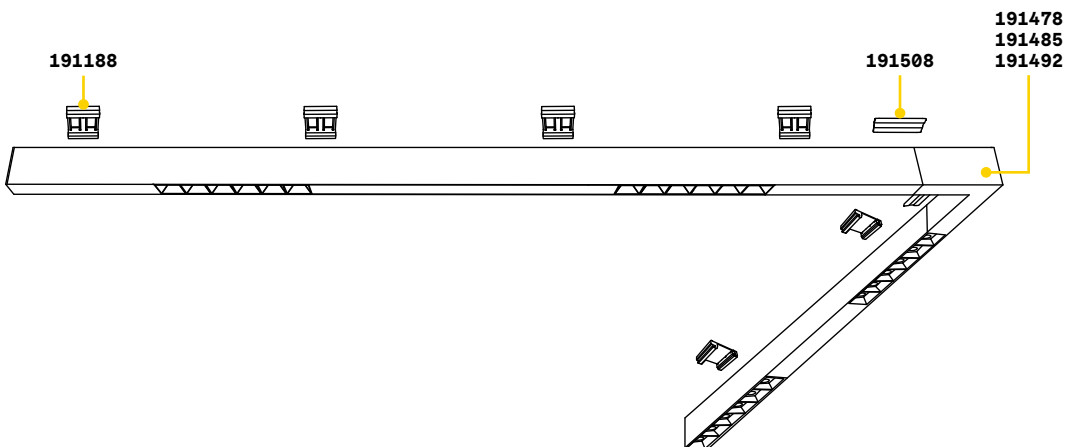


Fluo - Assembly plans

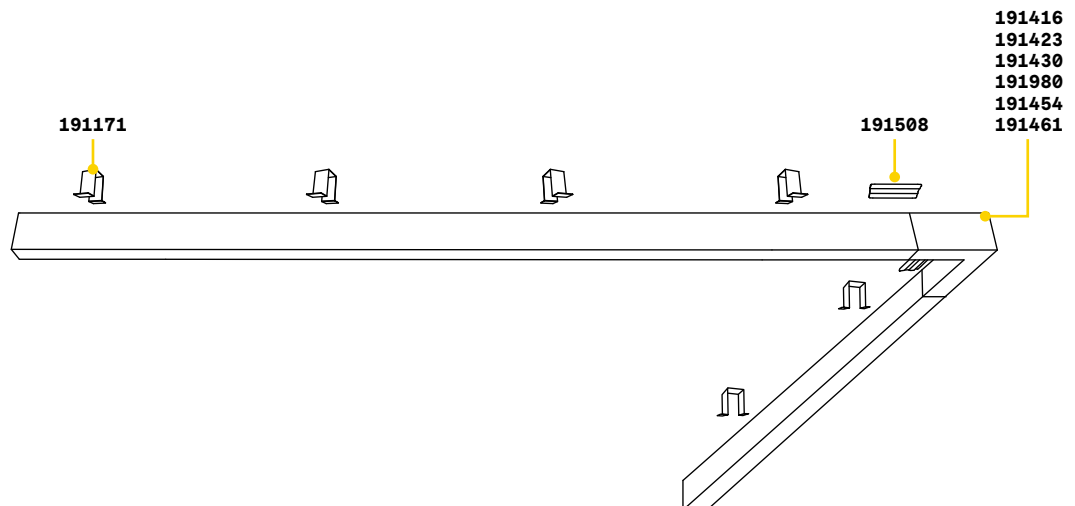
FLUO PENDANT







FLUO SURFACE



FLUO RECESSED

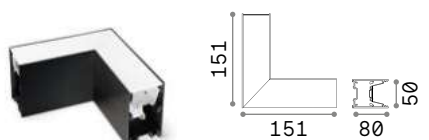


Fluo - Mounting kit

	Included	Required	N° Cables	Cables Length	Finish	Code	€
 KIT PENDANT	No	Yes - 1 Kit x power source	1	2000 mm	White	277929	25
					Black	277912	25
			1	5000 mm	White	276342	35
					Black	276335	35
 KIT SINGLE CABLE	No	Yes - 1 Kit x 600 mm	1	2000 mm		220826	10
			1	5000 mm		243665	15
 KIT RECESSED	No	Yes - 1 Kit x 1200 mm				191188	30
 KIT SURFACE	No	Yes - 1 Kit x 1200 mm				191171	20

Fluo - Optional

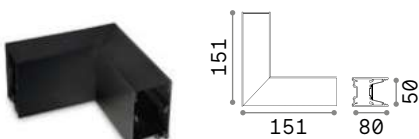
CORNER Not included/Optional - Driver ON/OFF included - Compatible with Wide versions



0,580 Kg/0,0023 m³

Power	Beam	Flux	CCT	Finish	Code	€
7,5 W	105°	810 Lm	3000 K	Aluminu.	191416	75
				White	191423	75
				Black	191430	75
		850 Lm	4000 K	Aluminu.	191980	75
				White	191454	75
				Black	191461	75

BLINDED CORNER Not included/Optional - Compatible with Accent versions



0,610 Kg/0,0023 m³

Finish	Code	€
Aluminu.	191478	50
White	191485	50
Black	191492	50

STRUCTURE CONNECTOR Maximum length per power source: 30 meters



Included	Required	Code	€
No	No - 1 Kit x connection	191508	5

THICK COVER Compatible with Wide and Bi-Emission versions



Included	Required	Material	Length	Code	€
No	No	PMMA	1200 mm	262369	15 <small>new</small>
			1800 mm	262376	25 <small>new</small>