

4.7

Wiring accessories

- PROTECTA Series
IP66 weatherproof switches & sockets
- UNIBOX Series [+EVOLUTION]
Enclosures for wiring accessories
- EVOLUTION Series
Plates and devices





Flush mounting - IP66

PROTECTA Series

137.



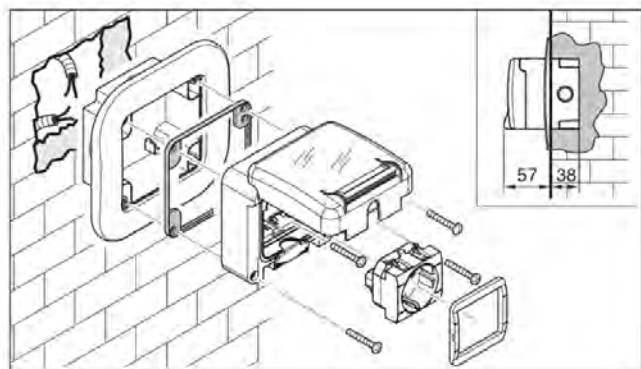
Modular socket outlets

Description	Version	Current	Dimension		
RJ45 OUTLET	RJ45			137.4481.50 ²	1/12
GERMAN STANDARD SOCKET	GERMAN			137.4407	1/12
	GERMAN UNSHUTTER			137.4412 ¹	1/12
ITALIAN P30 STANDARD SOCKET	ITALIAN P30	16A		137.4404	1/12
ITALIAN P17/11 STANDARD SOCKET	ITALIAN P17/11 (DUAL USE)		M95(95x95mm)	137.4403	1/12
FRENCH STANDARD SOCKET	FRENCH			137.4411	1/12
ARGENTINIAN STANDARD SOCKET	ARGENTINE			137.4424	1/12
NEOZELANDER STANDARD SOCKET	NEW ZEALAND	10A		137.4427	1/12
SWISS STANDARD SOCKET	SWISS			137.4417	1/12
BRAZILIAN STANDARD SOCKET	BRAZILIAN			137.4421	1/12

¹ Shutterless socket, subject to normative restrictions or prohibitions in Europe or in other geographical areas. Check the national laws prior to using or installing it.

² RJ45 - Cat.5E

- Flush mounting: box not included.



PROTECTA Series
Flush mounting



BRAZILIAN STANDARD 10A
Unshuttered socket ABNT NBR 14136:2002



NEW ZEALAND STANDARD 10A
Unshuttered socket AS/NZS 3112



GERMAN STANDARD 16A
Unshuttered socket

4.7

