

PANEL MOUNTING SOCKET OUTLETS, angled

- With screwless Quick-Connect technology
- IEC 60309-1/2, EN 60309, VDE 0623
- Protection degree IP67

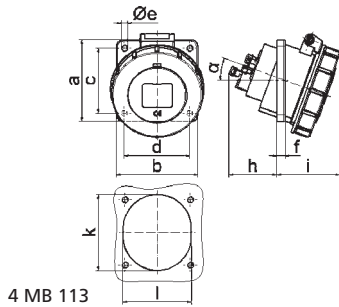
Panel Mounting Socket Outlet Quick-Connect

- Screwless terminals
- 20° angled
- Kontex contact
- Flange 68 x 62 mm for 16A 3p, 75 x 75 mm for 16A 5p
- Protection degree IP67

2P+E Ampere	3P+E Poles	110V 50-60 Hz			230V 50-60 Hz			400V 50-60 Hz			500V 50-60 Hz			100-300Hz > 50V			301-500Hz > 50V			Qty	each
		3pol 4h	4pol 4h	5pol 4h	3pol 6h	4pol 9h	5pol 9h	3pol 9h	4pol 6h	5pol 6h	3pol 7h	4pol 7h	5pol 7h	3pol 10h	4pol 10h	5pol 10h	3pol 2h	4pol 2h	5pol 2h		
16	3	12808			12809														10	125	
16	5	12810			12811		12812												10		



Fig.: Type 12812



4 MB 113

Ampere Poles	16 3	16 5																		
a	68.0	75.0																		
b	62.0	75.0																		
c	47.0	60.0																		
d	47.0	60.0																		
e ø	5.5	5.5																		
f	8.0	5.5																		
h	46.0	46.0																		
i	57.0	60.0																		
k	56.0	70.0																		
l	51.0	63.0																		
	20°	20°																		
Cond. mm² min	1.5	1.5																		
Cond. mm² max	4	4																		

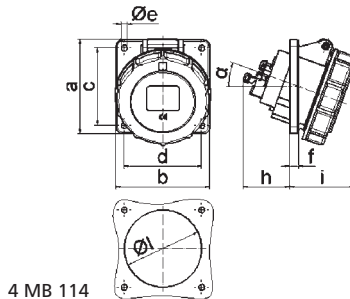
Panel Mounting Socket Outlet Quick-Connect

- Screwless terminals
- 20° angled
- Kontex contact
- Flange 85 x 85 mm
- Protection degree IP67

2P+E Ampere	3P+E Poles	110V 50-60 Hz			230V 50-60 Hz			400V 50-60 Hz			500V 50-60 Hz			100-300Hz > 50V			301-500Hz > 50V			Qty	each
		3pol 4h	4pol 4h	5pol 4h	3pol 6h	4pol 9h	5pol 9h	3pol 9h	4pol 6h	5pol 6h	3pol 7h	4pol 7h	5pol 7h	3pol 10h	4pol 10h	5pol 10h	3pol 2h	4pol 2h	5pol 2h		
16	3	12917			12813														10	150	
16	4				12929		12814		12930										10	170	
16	5	12815			12816		12817												10	200	
32	3	12818			12819														10	230	
32	4				12820		12821		12931										10	255	
32	5	12822			12823		12824												10	310	



Fig.: Type 12817



4 MB 114

Ampere Poles	16 3	16 4	16 5	32 3	32 4	32 5
a	85.0	85.0	85.0	85.0	85.0	85.0
b	85.0	85.0	85.0	85.0	85.0	85.0
c	70.0	70.0	70.0	70.0	70.0	70.0
d	70.0	70.0	70.0	70.0	70.0	70.0
e ø	5.5	5.5	5.5	5.5	5.5	5.5
f	8.0	8.0	8.0	8.0	8.0	8.0
h	46.0	46.0	46.0	61.0	61.0	61.0
i	57.0	57.0	60.0	65.0	65.0	69.0
l ø	57.0	65.0	70.0	78.0	78.0	78.0
α	20°	20°	20°	20°	20°	20°
Cond. mm² min	1.5	1.5	1.5	2.5	2.5	2.5
Cond. mm² max	4	4	4	10	10	10

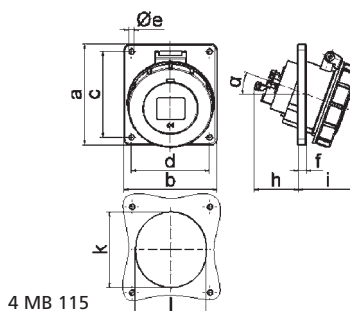
Panel Mounting Socket Outlet Quick-Connect

- Screwless terminals
- 20° angled
- Kontex contact
- Flange 74 x 62 mm for 16A 3p, 100 x 92 mm for the other versions
- Protection degree IP67

2P+E Ampere	3P+E Poles	110V 50-60 Hz			230V 50-60 Hz			400V 50-60 Hz			500V 50-60 Hz			100-300Hz > 50V			301-500Hz > 50V			Qty	each
		3pol 4h	4pol 4h	5pol 4h	3pol 6h	4pol 9h	5pol 9h	3pol 9h	4pol 6h	5pol 6h	3pol 7h	4pol 7h	5pol 7h	3pol 10h	4pol 10h	5pol 10h	3pol 2h	4pol 2h	5pol 2h		
16	3	12825			12826														10	125	
16	4	12831			12832		12833		12834		12835		12836						10	175	
16	5	12837			12838		12839		12840		12841		12842						10	195	
32	3	12843			12844														10	215	
32	4	12846			12847		12848		12849		12850		12851						10	240	
32	5	12852			12853		12854		12855		12856		12857						10	285	



Fig.: Type 12839



4 MB 115

Ampere Poles	16 3	16 4	16 5	32 3	32 4	32 5
a	74.0	100.0	100.0	100.0	100.0	100.0
b	62.0	92.0	92.0	92.0	92.0	92.0
c	60.0	85.0	85.0	85.0	85.0	85.0
d	52.0	77.0	77.0	77.0	77.0	77.0
e ø	5.5	5.5	5.5	5.5	5.5	5.5
f	8.0	8.0	8.0	8.0	8.0	8.0
h	46.0	46.0	46.0	61.0	61.0	61.0
i	57.0	57.0	60.0	65.0	65.0	69.0
k	57.0	65.0	70.0	75.0	75.0	78.0
l	52.0	65.0	70.0	75.0	75.0	78.0
	20°	20°	20°	20°	20°	20°
Cond. mm² min	1.5	1.5	1.5	2.5	2.5	2.5
Cond. mm² max	4	4	4	10	10	10