

PANEL MOUNTING SOCKET OUTLETS, angled

- With screwless Quick-Connect technology
- IEC 60309-1/2, EN 60309, VDE 0623
- Protection degree IP44

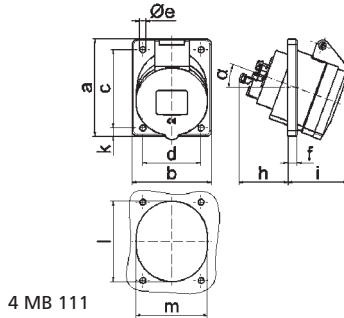
Panel Mounting Socket Outlet Quick-Connect

- Screwless terminals
- 20° angled
- Kontex contact
- Flange 68 x 62 mm for 16A 3p, 87 x 71 mm for 16A 4p and 5p
- Protection degree IP44

Ampere	Poles	110V 50-60 Hz	230V 50-60 Hz	400V 50-60 Hz	500V 50-60 Hz	100-300Hz > 50V	301-500Hz > 50V	Qty	each
		3pol 4pol 5pol 4h 4h 4h	3pol 4pol 5pol 6h 9h 9h	3pol 4pol 5pol 9h 6h 6h	3pol 4pol 5pol 7h 7h 7h	3pol 4pol 5pol 10h 10h 10h	3pol 4pol 5pol 2h 2h 2h		
16	3	12731	12732					10	95
16	4	12733	12734	12735	12736			10	120
16	5	12739	12740	12741	12742			10	140



Fig.: Type 12741



4 MB 111

Ampere	16	16	16						
Poles	3	4	5						
a	68.0	87.0	87.0						
b	62.0	71.0	71.0						
c	47.0	70.0	70.0						
d	47.0	52.0	52.0						
e Ø	5.5	5.5	5.5						
f	8.0	5.5	5.5						
h	46.0	46.0	46.0						
i	50.0	54.0	54.0						
k	-	9.5	9.5						
l	56.0	65.0	72.0						
m	51.0	58.0	64.0						
α	20°	20°	20°						
Cond. mm² min	1.5	1.5	1.5						
Cond. mm² max	4	4	4						

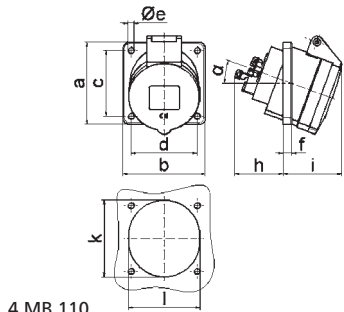
Panel Mounting Socket Outlet Quick-Connect

- Screwless terminals
- 20° angled
- Kontex contact
- Flange 75 x 75 mm
- Protection degree IP44

Ampere	Poles	110V 50-60 Hz	230V 50-60 Hz	400V 50-60 Hz	500V 50-60 Hz	100-300Hz > 50V	301-500Hz > 50V	Qty	each
		3pol 4pol 5pol 4h 4h 4h	3pol 4pol 5pol 6h 9h 9h	3pol 4pol 5pol 9h 6h 6h	3pol 4pol 5pol 7h 7h 7h	3pol 4pol 5pol 10h 10h 10h	3pol 4pol 5pol 2h 2h 2h		
16	5	12743	12744	122001	12745	12746	12747	10	135



Fig.: Type 122001



4 MB 110

Ampere	16								
Poles	5								
a	75.0								
b	75.0								
c	60.0								
d	60.0								
e Ø	5.5								
f	8.0								
h	46.0								
i	54.0								
k	70.0								
l	65.0								
α	20°								
Cond. mm² min	1.5								
Cond. mm² max	4								

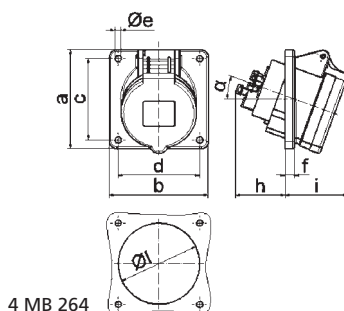
Panel Mounting Socket Outlet Quick-Connect

- Screwless terminals
- 20° angled
- Kontex contact
- Flange 85 x 85 mm
- Protection degree IP44

Ampere	Poles	110V 50-60 Hz	230V 50-60 Hz	400V 50-60 Hz	500V 50-60 Hz	100-300Hz > 50V	301-500Hz > 50V	Qty	each
		3pol 4pol 5pol 4h 4h 4h	3pol 4pol 5pol 6h 9h 9h	3pol 4pol 5pol 9h 6h 6h	3pol 4pol 5pol 7h 7h 7h	3pol 4pol 5pol 10h 10h 10h	3pol 4pol 5pol 2h 2h 2h		
16	3	12748	12749	12750	12751	12861	12752	10	120
16	4	12862	12863	12753	12864	12754	12865	10	135
16	5	12755	12756	12757	12758	12866	12759	10	145
32	3	12760	12761	12867	12762	12868	12869	10	180
32	4	12870	12763	12764	12765	12871	12872	10	200
32	5	12766	12767	12768	12769	12770	12873	10	235



Fig.: Type 12757



4 MB 264

Ampere	16	16	16	32	32	32			
Poles	3	4	5	3	4	5			
a	85.0	85.0	85.0	85.0	85.0	85.0			
b	85.0	85.0	85.0	85.0	85.0	85.0			
c	70.0	70.0	70.0	70.0	70.0	70.0			
d	70.0	70.0	70.0	70.0	70.0	70.0			
e Ø	5.5	5.5	5.5	5.5	5.5	5.5			
f	8.0	8.0	8.0	8.0	8.0	8.0			
h	46.0	46.0	46.0	61.0	61.0	61.0			
i	50.0	51.0	54.0	60.0	60.0	60.0			
l Ø	57.0	65.0	70.0	78.0	78.0	78.0			
α	20°	20°	20°	20°	20°	20°			
Cond. mm² min	1.5	1.5	1.5	2.5	2.5	2.5			
Cond. mm² max	4	4	4	10	10	10			