

PANEL MOUNTING SOCKET OUTLETS, angled

- IEC 60309-1/2, EN 60309, VDE 0623
- Protection degree IP67

Panel Mounting Socket Outlet

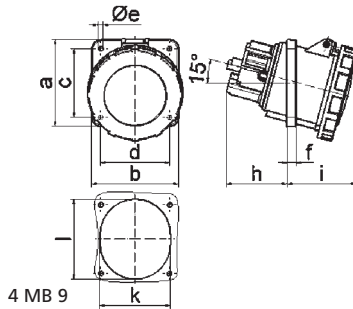
- Screw terminals
- 15° angled
- Flange 114 x 114 mm
- Kontex contact
- Nickel plated contacts
- Box terminals
- Protection degree IP67

2P+E Ampere	3P+E Poles	110V 50-60 Hz			230V 50-60 Hz			400V 50-60 Hz			500V 50-60 Hz			100-300Hz > 50V			301-500Hz > 50V			Qty	each
		3pol	4pol	5pol	3pol	4pol	5pol	3pol	4pol	5pol	3pol	4pol	5pol	3pol	4pol	5pol	3pol	4pol	5pol		
63	3	12000			12001			12002											5	475	
63	4	12003			12005			1200		1203			12035						5	510	
63	5	12004			12006			129		12039			12389						5	550	

Products with PILOT please add "P" to the ref.no.



Fig.: Type 129



4 MB 9

Ampere Poles	63 3	63 4	63 5
a	114.0	114.0	114.0
b	114.0	114.0	114.0
c	90.0	90.0	90.0
d	90.0	90.0	90.0
e Ø	6.5	6.5	6.5
f	12.0	12.0	12.0
h	65.0	65.0	65.0
i	80.0	80.0	80.0
k	92.0	92.0	92.0
l	92.0	92.0	92.0
Cond. mm² min	6	6	6
Cond. mm² max	25	25	25

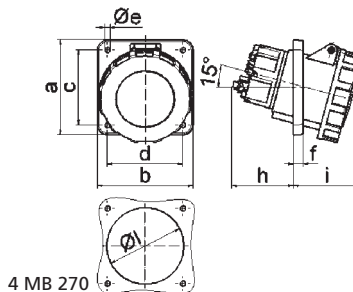
Panel Mounting Socket Outlet Quick-Connect TE

- Screwless terminals
- 15° angled
- Flange 114 x 114 mm
- High-temperature-resistant contact carrier
- Kontex contact
- Nickel plated contacts
- Box terminals
- Protection degree IP67

2P+E Ampere	3P+E Poles	110V 50-60 Hz			230V 50-60 Hz			400V 50-60 Hz			500V 50-60 Hz			100-300Hz > 50V			301-500Hz > 50V			Qty	each
		3pol	4pol	5pol	3pol	4pol	5pol	3pol	4pol	5pol	3pol	4pol	5pol	3pol	4pol	5pol					
63	4							120322		120387									5	625	
63	5							120307											5	670	



Fig.: Type 120307



4 MB 270

Ampere Poles	63 4	63 5
a	114.0	114.0
b	114.0	114.0
c	90.0	90.0
d	90.0	90.0
e Ø	6.5	6.5
f	12.0	12.0
h	74.0	74.0
i	80.0	80.0
l Ø	92.0	92.0
Cond. mm² min	6	6
Cond. mm² max	25	25

Panel Mounting Socket Outlet

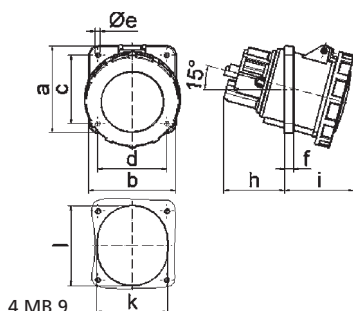
- Screw terminals
- 15° angled
- Flange 114 x 114 mm
- High-temperature-resistant contact carrier
- Nickel plated contacts
- Kontex contact
- Box terminals
- Protection degree IP67

2P+E Ampere	3P+E Poles	110V 50-60 Hz			230V 50-60 Hz			400V 50-60 Hz			500V 50-60 Hz			100-300Hz > 50V			301-500Hz > 50V			Qty	each
		3pol	4pol	5pol	3pol	4pol	5pol	3pol	4pol	5pol	3pol	4pol	5pol	3pol	4pol	5pol					
125	3	1299			12100			12101											5	805	
125	4	12102			12103			12104		12105			12320						5	885	
125	5	12106			12107			12108		12133			12334						5	980	

Products with PILOT please add "P" to the ref.no.



Fig.: Type 12108



4 MB 9

Ampere Poles	125 3	125 4	125 5
a	114.0	114.0	114.0
b	114.0	114.0	114.0
c	90.0	90.0	90.0
d	90.0	90.0	90.0
e Ø	6.5	6.5	6.5
f	12.0	12.0	12.0
h	82.0	82.0	82.0
i	90.0	90.0	90.0
k	92.0	92.0	92.0
l	105.0	105.0	105.0
Cond. mm² min	25	25	25
Cond. mm² max	70	70	70