

PLUGS AND SOCKETS with Screw Terminals

- IEC 60309-1/2, EN 60309, VDE 0623
- Protection degree IP44, IP67

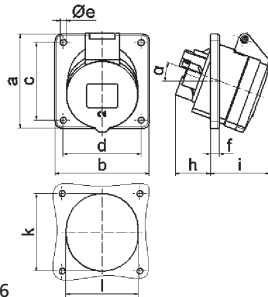
Panel Mounting Socket Outlet

- Screw terminals
- 20° angled
- Flange 85 x 85 mm
- Protection degree IP44



Fig.: Type 12078

Ampere	Poles	110V 50-60 Hz			230V 50-60 Hz			400V 50-60 Hz			500V 50-60 Hz			100-300Hz > 50V			301-500Hz > 50V			Qty	each
		2P+E 4h	3P+E 4h	3P+N+E 4h	3pol 4h	4pol 4h	5pol 4h	3pol 6h	4pol 9h	5pol 9h	3pol 9h	4pol 6h	5pol 6h	3pol 7h	4pol 7h	5pol 7h	3pol 10h	4pol 10h	5pol 10h		
16	3				12079		12080		12081		12485				12952		12483		10	125	
16	4								12500		12520								10	150	
16	5				12076		12077		12078		12491						12484		10	170	
32	3				12324		12310												10	205	
32	4						12325		12311		12368								10	210	
32	5				1213		1214		1215		12369			12217					10	215	



4 MB 26

Ampere	16	16	16	32	32	32
Poles	3	4	5	3	4	5
a	85.0	85.0	85.0	85.0	85.0	85.0
b	85.0	85.0	85.0	85.0	85.0	85.0
c	70.0	70.0	70.0	70.0	70.0	70.0
d	70.0	70.0	70.0	70.0	70.0	70.0
e ø	5.5	5.5	5.5	5.5	5.5	5.5
f	8.0	8.0	8.0	8.0	8.0	8.0
h	30.0	30.0	30.0	50.0	50.0	34.0
i	48.0	50.0	54.0	63.0	63.0	60.0
k	57.0	65.0	70.0	78.0	78.0	78.0
l	57.0	65.0	70.0	78.0	78.0	78.0
	20°	20°	20°	20°	20°	20°
Cond. mm² min	1.5	1.5	1.5	2.5	2.5	2.5
Cond. mm² max	4	4	4	10	10	10

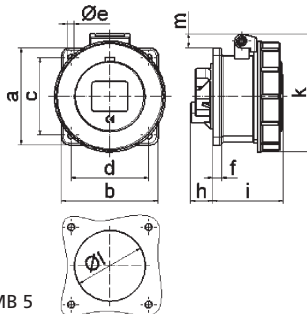
Panel Mounting Socket Outlet

- Screw terminals
- Flange 75 x 75 mm
- Protection degree IP67



Fig.: Type 1370

Ampere	Poles	110V 50-60 Hz			230V 50-60 Hz			400V 50-60 Hz			500V 50-60 Hz			100-300Hz > 50V			301-500Hz > 50V			Qty	each
		2P+E 4h	3P+E 4h	3P+N+E 4h	3pol 4h	4pol 4h	5pol 4h	3pol 6h	4pol 9h	5pol 9h	3pol 9h	4pol 6h	5pol 6h	3pol 7h	4pol 7h	5pol 7h	3pol 10h	4pol 10h	5pol 10h		
16	3				1371		1372		1373				13265						10	140	
16	4				1374		1375		1376		1377		1378		1379				10	165	
16	5				1380		1381		1382		13044		13379		13380				10	185	
32	3				13023		13024		13025				13264		13432				10	225	
32	4				13026		13027		13028		13029		13030		13031				10	240	
32	5				1368		1369		1370		13376		13377		13378				10	250	



4 MB 5

Ampere	16	16	16	32	32	32
Poles	3	4	5	3	4	5
a	75.0	75.0	75.0	75.0	75.0	75.0
b	75.0	75.0	75.0	75.0	75.0	75.0
c	60.0	60.0	60.0	60.0	60.0	60.0
d	60.0	60.0	60.0	60.0	60.0	60.0
e ø	5.5	5.5	5.5	5.5	5.5	5.5
f	7.0	7.0	7.0	8.0	8.0	8.0
h	17.0	26.0	17.0	36.0	36.0	19.0
i	57.0	58.0	57.0	65.0	65.0	65.0
k	76.0	83.0	93.0	100.0	100.0	106.0
l ø	45.0	45.0	55.0	60.0	60.0	60.0
m	3.5	7.0	11.5	12.0	12.0	17.0
Cond. mm² min	1.5	1.5	1.5	2.5	2.5	2.5
Cond. mm² max	4	4	4	10	10	10

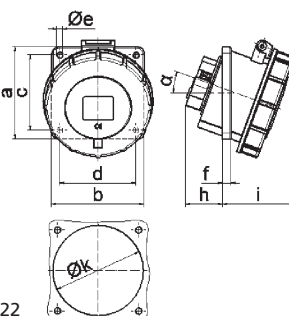
Panel Mounting Socket Outlet

- Screw terminals
- 20° angled
- Flange 85 x 85 mm
- Protection degree IP67



Fig.: Type 12084

Ampere	Poles	110V 50-60 Hz			230V 50-60 Hz			400V 50-60 Hz			500V 50-60 Hz			100-300Hz > 50V			301-500Hz > 50V			Qty	each
		2P+E 4h	3P+E 4h	3P+N+E 4h	3pol 4h	4pol 4h	5pol 4h	3pol 6h	4pol 9h	5pol 9h	3pol 9h	4pol 6h	5pol 6h	3pol 7h	4pol 7h	5pol 7h	3pol 10h	4pol 10h	5pol 10h		
16	3						12231												10	160	
16	4								12502										10	180	
16	5				12082		12083		12084		12717								10	205	
32	3				12326		12327												10	260	
32	4						12328		12329		12614								10	270	
32	5				1262		1263		1264										10	275	



4 MB 22

Ampere	16	16	16	32	32	32
Poles	3	4	5	3	4	5
a	85.0	85.0	85.0	85.0	85.0	85.0
b	85.0	85.0	85.0	85.0	85.0	85.0
c	70.0	70.0	70.0	70.0	70.0	70.0
d	70.0	70.0	70.0	70.0	70.0	70.0
e ø	5.5	5.5	5.5	5.5	5.5	5.5
f	8.0	8.0	8.0	8.0	8.0	8.0
h	30.0	30.0	30.0	50.0	50.0	34.0
i	55.0	57.0	59.0	67.0	67.0	69.0
k	57.0	65.0	70.0	78.0	78.0	78.0
l	57.0	65.0	70.0	78.0	78.0	78.0
	20°	20°	20°	20°	20°	20°
Cond. mm² min	1.5	1.5	1.5	2.5	2.5	2.5
Cond. mm² max	4	4	4	10	10	10