

# SURFACE MOUNTING SOCKET OUTLETS

- IEC 60309-1/2, EN 60309, VDE 0623
- Protection degree IP67

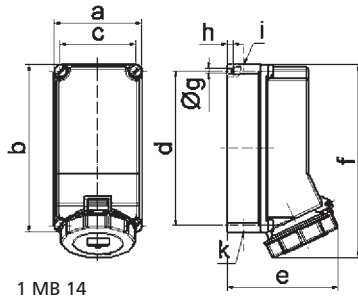
## Surface Mounting Socket Outlet Quick-Connect TE

- Screwless terminals
- Kontex contact
- High-temperature-resistant contact carrier
- Nickel plated contacts
- With large wiring space
- Protection degree IP67

2P+E Ampere	3P+E Poles	110V 50-60 Hz			230V 50-60 Hz			400V 50-60 Hz			500V 50-60 Hz			100-300Hz > 50V			301-500Hz > 50V			Qty	each
		3pol 4h	4pol 4h	5pol 4h	3pol 6h	4pol 9h	5pol 9h	3pol 9h	4pol 6h	5pol 6h	3pol 7h	4pol 7h	5pol 7h	3pol 10h	4pol 10h	5pol 10h	3pol 2h	4pol 2h	5pol 2h		
32	3			11580			11496			11879									1	825	
32	4						11555			11461		11156							1	830	
32	5									110075									1	850	



Fig.: Type 110075



1 MB 14

Ampere Poles	32 3	32 4	32 5
a	118.0	118.0	118.0
b	225.0	225.0	225.0
c	101.0	101.0	101.0
d	208.0	208.0	208.0
e	143.0	143.0	149.0
f	255.0	255.0	255.0
g ø	6.5	6.5	6.5
h	8.0	8.0	8.0
i	2xM25	2xM25	2xM25
k	2xM25	2xM25	2xM25
Cond. mm² min	2.5	2.5	2.5
Cond. mm² max	10	10	10

## Surface Mounting Socket Outlet

- Cable entry 1x at top (open), 1x at bottom (closed)
- Nickel plated contacts
- Base rotatable by 180°
- Kontex contact
- Box terminals
- Protection degree IP67

2P+E Ampere	3P+E Poles	110V 50-60 Hz			230V 50-60 Hz			400V 50-60 Hz			500V 50-60 Hz			100-300Hz > 50V			301-500Hz > 50V			Qty	each
		3pol 4h	4pol 4h	5pol 4h	3pol 6h	4pol 9h	5pol 9h	3pol 9h	4pol 6h	5pol 6h	3pol 7h	4pol 7h	5pol 7h	3pol 10h	4pol 10h	5pol 10h	3pol 2h	4pol 2h	5pol 2h		
63	4						110416			110446									5	960	
63	5						110413												5	1005	

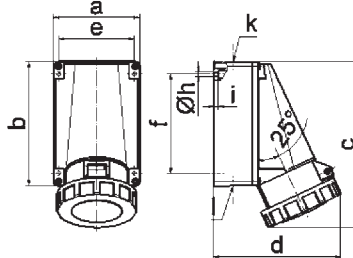
Screw terminal:

63	3	1156	1157	1158															5	800
63	4	1159	1160	1161	1162	11433	11341												5	840
63	5	1163	1164	1112	11017	11368	11126												5	875

In the case of screw terminal Surface Mounting Socket Outlets with PILOT, please add -P to the end of the order number.



Fig.: Type 1112



1 MB 3

Ampere Poles	63 3	63 4	63 5
a	118.0	118.0	118.0
b	170.0	170.0	170.0
c	228.0	228.0	228.0
d	176.0	176.0	176.0
e	104.0	104.0	104.0
f	136.0	136.0	136.0
h ø	6.1	6.1	6.1
i	6.0	6.0	6.0
k	M40	M40	M40
l	M32/32	M32/32	M32/32
Cond. mm² min	6	6	6
Cond. mm² max	25	25	25

## Surface Mounting Socket Outlet

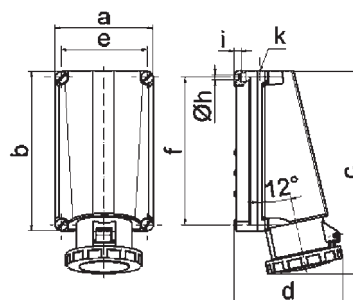
- Screw terminals
- Cable entry 1x M50 at top
- High-temperature-resistant contact carrier
- Kontex contact
- Nickel plated contacts
- Box terminals
- Protection degree IP67

2P+E Ampere	3P+E Poles	110V 50-60 Hz			230V 50-60 Hz			400V 50-60 Hz			500V 50-60 Hz			100-300Hz > 50V			301-500Hz > 50V			Qty	each
		3pol 4h	4pol 4h	5pol 4h	3pol 6h	4pol 9h	5pol 9h	3pol 9h	4pol 6h	5pol 6h	3pol 7h	4pol 7h	5pol 7h	3pol 10h	4pol 10h	5pol 10h	3pol 2h	4pol 2h	5pol 2h		
125	3			11436			11437			11438		110452							1	1535	
125	4			11439			11440			11441		11442	11443	11444					1	1965	
125	5			11445			11446			11447									1	2085	

In the case of screw terminal Surface Mounting Socket Outlets with PILOT, please add -P to the end of the order number.



Fig.: Type 11447



1 MB 20

Ampere Poles	125 3	125 4	125 5
a	160.0	160.0	160.0
b	260.0	260.0	260.0
c	330.0	330.0	330.0
d	168.0	168.0	168.0
e	140.0	140.0	140.0
f	240.0	240.0	240.0
h ø	8.3	8.3	8.3
i	10.0	10.0	10.0
k	M50	M50	M50
Cond. mm² min	25	25	25
Cond. mm² max	70	70	70