

PLUGS AND SOCKETS with Screw Terminals

■ IEC 60309-1/2, EN 60309, VDE 0623
■ Protection degree IP44

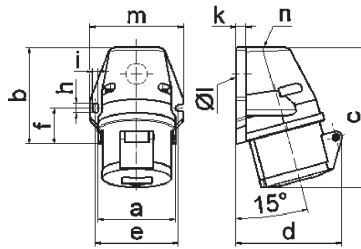
Surface Mounting Socket Outlet

- Screw terminals
- Cable entry 1x at top (open) and 1x at bottom (closed)
- Protection degree IP44

Ampere	Poles	110V 50-60 Hz			230V 50-60 Hz			400V 50-60 Hz			500V 50-60 Hz			100-300Hz > 50V			301-500Hz > 50V			Qty	each
		3pol	4pol	5pol	3pol	4pol	5pol	3pol	4pol	5pol	3pol	4pol	5pol	3pol	4pol	5pol	3pol	4pol	5pol		
16	3	11897			11765														10	175	
16	4	11722			11652			11645		11723									10	220	
16	5	11724			11725			100		11726								110129	10	240	
32	3	11832			11651														10	275	
32	4	11735			11653			11646		11736			11836					110130	10	285	
32	5	11737			11738			101		11739									10	310	



Fig.: Type 101



1 MB 19

Ampere Poles	16	16	16	32	32	32
a	59.5	72.4	72.4	79.1	79.1	79.1
b	90.0	90.0	90.0	92.0	92.0	92.0
c	130.0	130.0	131.0	142.0	142.0	142.0
d	85.0	96.0	98.0	103.0	103.0	106.0
e	62.0	77.0	77.0	84.0	84.0	84.0
f	33.5	33.5	33.5	30.0	30.0	30.0
h	9.0	9.0	9.0	9.0	9.0	9.0
i	5.5	5.5	5.5	5.5	5.5	5.5
k	8.0	9.0	9.0	9.0	9.0	9.0
l ø	21.0	21.0	21.0	21.0	21.0	21.0
m	72.0	87.0	87.0	94.0	94.0	94.0
n	M20	M25	M25	M25	M25	M25
Cond. mm² min	1.5	1.5	1.5	2.5	2.5	2.5
Cond. mm² max	4	4	4	10	10	10

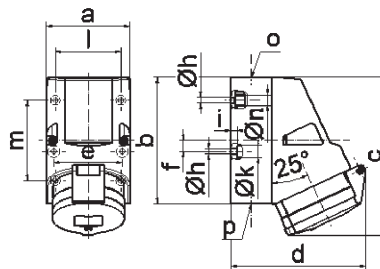
Surface Mounting Socket Outlet

- Screw terminals
- Cable entry 1x at top (open), 2x at bottom (closed)
- Base rotatable by 180°
- 4 mounting holes in enclosure base
- Suitable for through wiring with special terminals
- Protection degree IP44

Ampere	Poles	110V 50-60 Hz			230V 50-60 Hz			400V 50-60 Hz			500V 50-60 Hz			100-300Hz > 50V			301-500Hz > 50V			Qty	each
		3pol	4pol	5pol	3pol	4pol	5pol	3pol	4pol	5pol	3pol	4pol	5pol	3pol	4pol	5pol	3pol	4pol	5pol		
16	4	11849			11424			11344		11425									10	320	
16	5	110054			11375			106		11219								11755	10	335	
32	3	1113			1114			1115		11794			11426					11193	10	370	
32	4	1116			1117			1118		1119			1120					1121	10	385	
32	5	1122			1123			103		11023			11146					11124	10	390	



Fig.: Type 103



1 MB 2

Ampere Poles	16	16	16	32	32	32
a	83.0	83.0	83.0	83.0	83.0	83.0
b	126.0	126.0	126.0	126.0	126.0	126.0
c	153.0	155.0	155.0	155.0	155.0	155.0
d	127.0	130.0	130.0	130.0	130.0	136.0
e	68.0	68.0	68.0	68.0	68.0	68.0
f	11.0	11.0	11.0	11.0	11.0	11.0
h ø	5.5	5.5	5.5	5.5	5.5	5.5
i	6.5	6.5	6.5	6.5	6.5	6.5
k ø	12.0	12.0	12.0	12.0	12.0	12.0
l	65.0	65.0	65.0	65.0	65.0	65.0
m	80.0	80.0	80.0	80.0	80.0	80.0
n ø	10.0	10.0	10.0	10.0	10.0	10.0
o	M25	M25	M25	M25	M25	M25
p	2x M25	2x M25	2x M25	2x M25	2x M25	2x M25
Cond. mm² min	1.5	1.5	2.5	2.5	2.5	2.5
Cond. mm² max	4	4	10	10	10	10

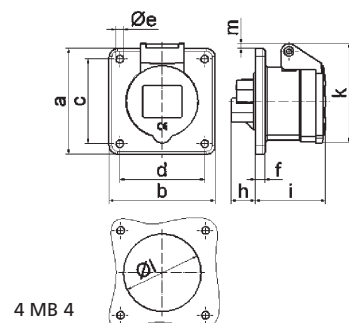
Panel Mounting Socket Outlet

- Screw terminals
- Flange 75 x 75 mm
- Protection degree IP44

Ampere	Poles	110V 50-60 Hz			230V 50-60 Hz			400V 50-60 Hz			500V 50-60 Hz			100-300Hz > 50V			301-500Hz > 50V			Qty	each
		3pol	4pol	5pol	3pol	4pol	5pol	3pol	4pol	5pol	3pol	4pol	5pol	3pol	4pol	5pol	3pol	4pol	5pol		
16	3	13000			13001			13002		13042			13216					13053	10	115	
16	4	1322			1323			1324		1325			1326					1327	10	140	
16	5	13003			13004			13005		13043			13034					13033	10	155	
32	3	13006			13007			13008		13058			13076					13313	10	190	
32	4	13009			13010			13011		13012			13013					13014	10	200	
32	5	1331			1332			1333		13167			13173					13050	10	205	



Fig.: Type 1333



4 MB 4

Ampere Poles	16	16	16	32	32	32
a	75.0	75.0	75.0	75.0	75.0	75.0
b	75.0	75.0	75.0	75.0	75.0	75.0
c	60.0	60.0	60.0	60.0	60.0	60.0
d	60.0	60.0	60.0	60.0	60.0	60.0
e ø	5.5	5.5	5.5	5.5	5.5	5.5
f	7.0	7.0	7.0	8.0	8.0	8.0
h	17.0	26.0	17.0	36.0	36.0	19.0
i	51.0	53.0	53.0	62.0	62.0	62.0
k	70.0	80.0	85.0	90.0	90.0	98.0
l ø	45.0	45.0	55.0	60.0	60.0	60.0
m	3.5	7.0	11.5	12.0	12.0	17.0
Cond. mm² min	1.5	1.5	1.5	2.5	2.5	2.5
Cond. mm² max	4	4	4	10	10	10