

Voltmeter Switches in Housing

Thermal current
10 - 32 A



3 line and 3 phase

Type	Thermal current I_{th}	Code No.	Type, layout and symbol	Weight [g]	Packaging [pcs]
CS 10 66 PN	10A	004773200		255	1
CS 16 66 PN	16A	004773201		240	
CS 25 66 PN	25A	004773202		260	
CS 32 66 PNG	32A	004773203		400	

Connection diagram in technical data

3 line

Type	Thermal current I_{th}	Code No.	Type, layout and symbol	Weight [g]	Packaging [pcs]
CS 10 67 PN	10A	004773204		220	1
CS 16 67 PN	16A	004773205		220	
CS 25 67 PN	25A	004773206		250	

Connection diagram in technical data

Motor Reversing Switches in Housing

Thermal current
16 - 100 A

L-0-P

Type	Thermal current I_{th}	Code No.	Type, layout and symbol	Weight [g]	Packaging [pcs]
CS 16 11 U LOPPN	16A	004773207		245	1
CS 25 11 U LOPPN	25A	004773208		265	
CS 32 11 U LOPPNG	32A	004773209		405	
CS 40 11 U LPOPZ	40A	004773210		560	

Connection diagram in technical data

Multistep Switches in Housing with 60° Switching Angle

Thermal current
10 - 40 A



3-pole

Type	Thermal current I_{th}	Code No.	Type, layout and symbol	Weight [g]	Packaging [pcs]
CS 10 135 PN	10A	004773211		225	1
CS 16 135 PN	16A	004773212		225	
CS 25 135 PN	25A	004773213		255	
CS 32 135 PNG	32A	004773214		400	
CS 40 135 PN2	40A	004773215		555	

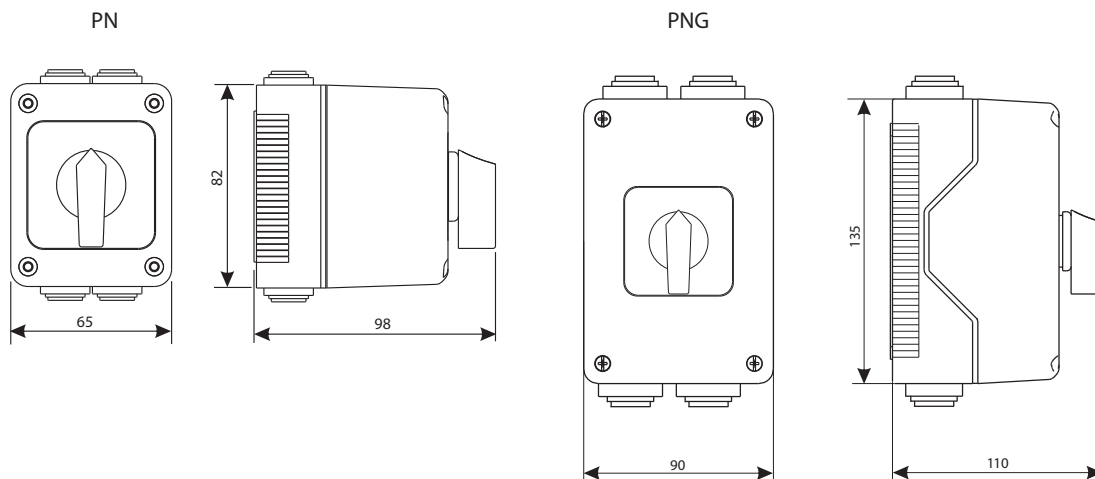
Connection diagram in technical data

Type, layout and symbol	Nr of poles / elements	Connection diagram
0-1 	1	10
0-1 	2	91
0-1 	3	10
0-1 	4	92
0-1 	3	10

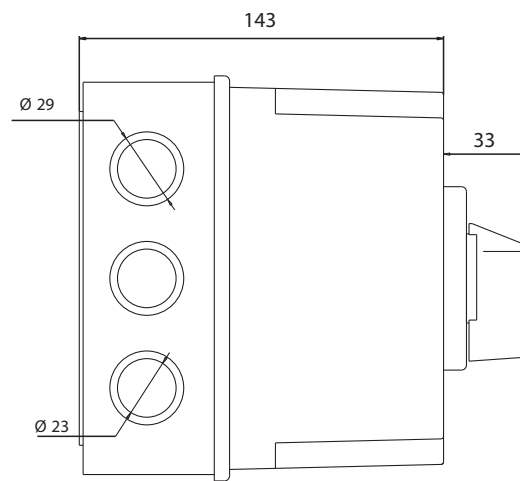
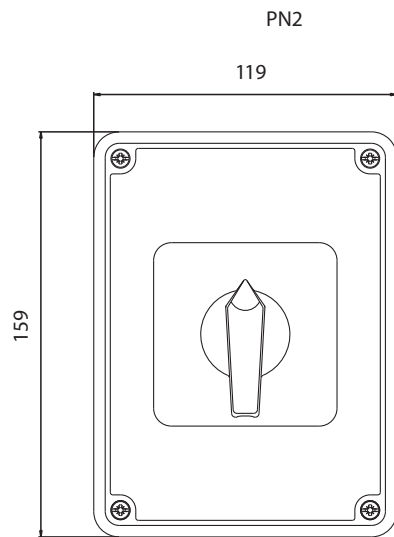
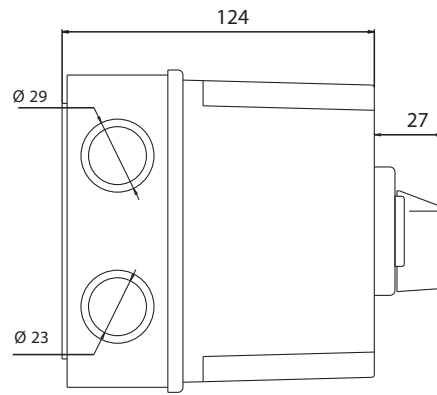
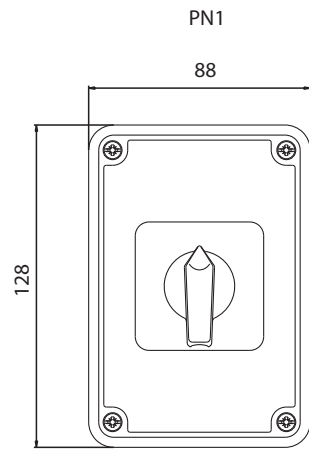
Rotary Cam Switches in insulated enclosures

Technical data and connection diagrams for switches in insulated enclosures are the same as for those without enclosures.

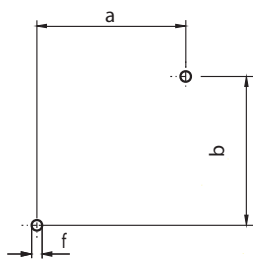
Dimensions



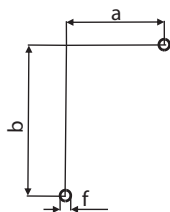
Technical data



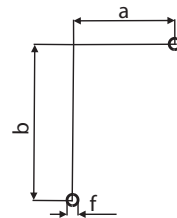
Drilling plan



	a	b	f
PN	44	48	4,3
PNG	48	100	4,3



	a	b	f
PN1	42	82	4,3



	a	b	f
PN2 32	72	112	4,5