

Rotary Cam Switches in Insulated Enclosures

4-pole

Type	Thermal current I_{th}	Code No.	Type, layout and symbol	Weight [g]	Packaging [pcs]
CS 10 92 PN	10A	004773168		200	1
CS 16 92 PN	16A	004773169		200	
CS 25 92 PN	25A	004773170		220	
CS 32 92 PNG	32A	004773171		355	
CS 40 92 PNG	40A	004773172		455	

Connection diagram in technical data

Changeover Switches in Housing with 60° Switching Angle

Thermal current
10 - 40 A

1-pole

Type	Thermal current I_{th}	Code No.	Type, layout and symbol	Weight [g]	Packaging [pcs]
CS 10 51 PN	10A	004773185		185	1
CS 16 51 PN	16A	004773186		185	
CS 25 51 PN	25A	004773187		235	
CS 32 51 PNG	32A	004773188		330	
CS 40 51 PNG	40A	004773189		395	

Connection diagram in technical data

2-pole

Type	Thermal current I_{th}	Code No.	Type, layout and symbol	Weight [g]	Packaging [pcs]
CS 10 52 PN	10A	004773190		200	1
CS 16 52 PN	16A	004773191		200	
CS 25 52 PN	25A	004773192		220	
CS 32 52 PNG	32A	004773193		375	
CS 40 52 PNG	40A	004773194		455	

Connection diagram in technical data

3-pole

Type	Thermal current I_{th}	Code No.	Type, layout and symbol	Weight [g]	Packaging [pcs]
CS 10 53 PN	10A	004773195		240	1
CS 16 53 PN	16A	004773196		240	
CS 25 53 PN	25A	004773197		260	
CS 32 53 PNG	32A	004773198		400	
CS 40 53 PN2	40A	004773199		875	

Connection diagram in technical data



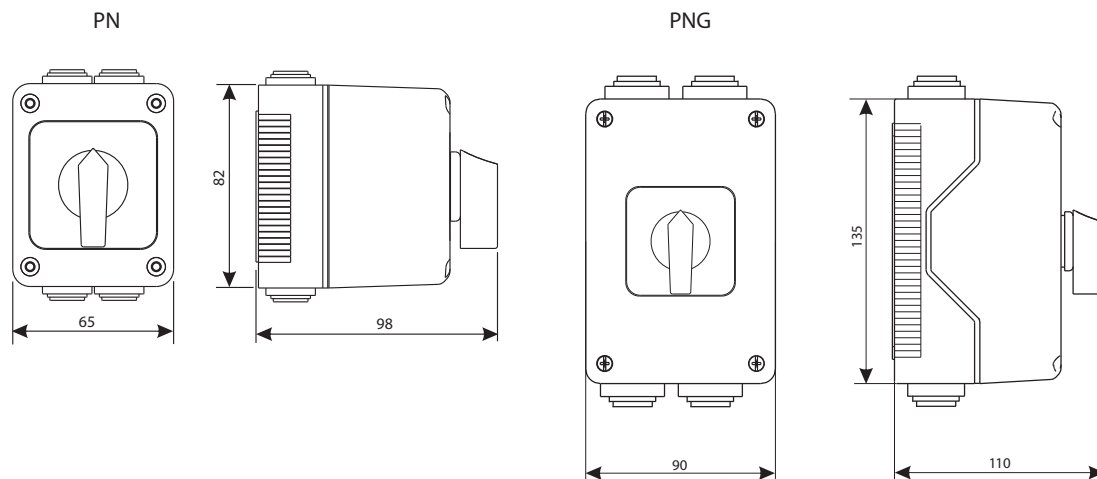
Type, layout and symbol	Nr of poles / elements	Connection diagram
0-1 	1	10
0-1 	2	91
0-1 	3	10
0-1 	4	92
0-1 	3	10

0				
1	X	X	X	X

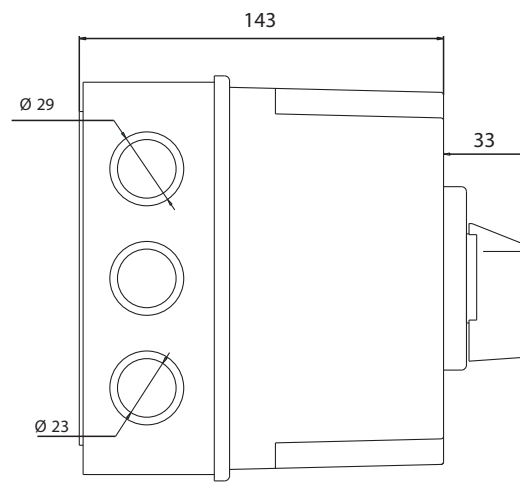
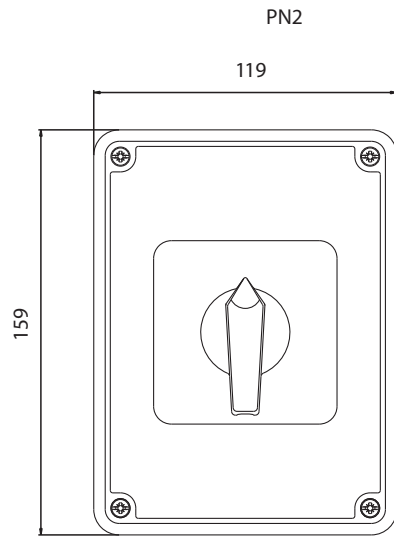
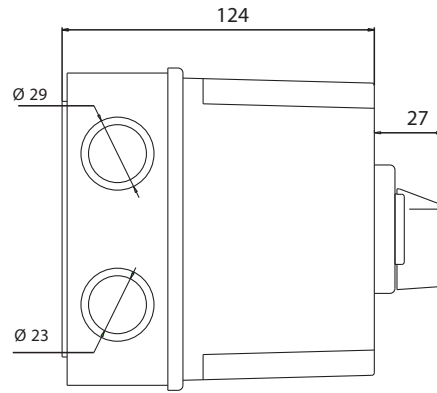
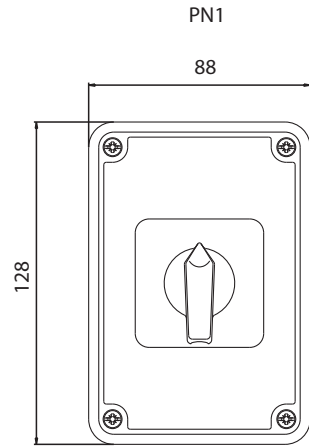
Rotary Cam Switches in insulated enclosures

Technical data and connection diagrams for switches in insulated enclosures are the same as for those without enclosures.

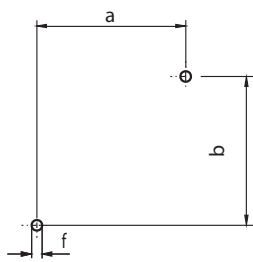
Dimensions



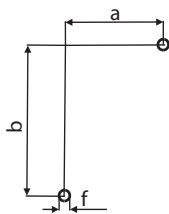
Technical data



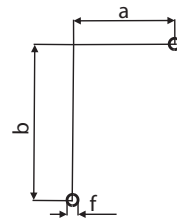
Drilling plan



	a	b	f
PN	44	48	4,3
PNG	48	100	4,3



	a	b	f
PN1	42	82	4,3



	a	b	f
PN2 32	72	112	4,5