

Star - Delta Switches in Housing

 Thermal current
16 - 40 A

0-star-delta					
Type	Thermal current I_{th}	Code No.	Type, layout and symbol	Weight [g]	Packaging [pcs]
CS 16 12 PN1	16A	004773216		275	1
CS 25 12 PN1	25A	004773217		290	
CS 32 12 PN2	32A	004773218		480	
CS 40 12 PN2	40A	004773219		645	

Connection diagram in technical data



General Emergency ON-OFF switches version LK in housing

 Thermal current
25 - 40 A

1-pole					
Type	Thermal current I_{th}	Code No.	Type, layout and symbol	Weight [g]	Packaging [pcs]
CS 25 90 PNGLK	25A	004773173		230	1
CS 32 90 PNGLK	32A	004773174		345	
CS 40 90 PNGLK	40A	004773175		410	

Connection diagram in technical data

2-pole					
Type	Thermal current I_{th}	Code No.	Type, layout and symbol	Weight [g]	Packaging [pcs]
CS 25 91 PNGLK	25A	004773176		230	1
CS 32 91 PNGLK	32A	004773177		345	
CS 40 91 PNGLK	40A	004773178		410	

Connection diagram in technical data

3-pole					
Type	Thermal current I_{th}	Code No.	Type, layout and symbol	Weight [g]	Packaging [pcs]
CS 25 10 PNGLK	25A	004773179		255	1
CS 32 10 PNGLK	32A	004773180		390	
CS 40 10 PNGLK	40A	004773181		490	

Connection diagram in technical data

4-pole					
Type	Thermal current I_{th}	Code No.	Type, layout and symbol	Weight [g]	Packaging [pcs]
CS 25 92 PNGLK	25A	004773182		260	1
CS 32 92 PNGLK	32A	004773183		395	
CS 40 92 PNGLK	40A	004773184		495	

Connection diagram in technical data



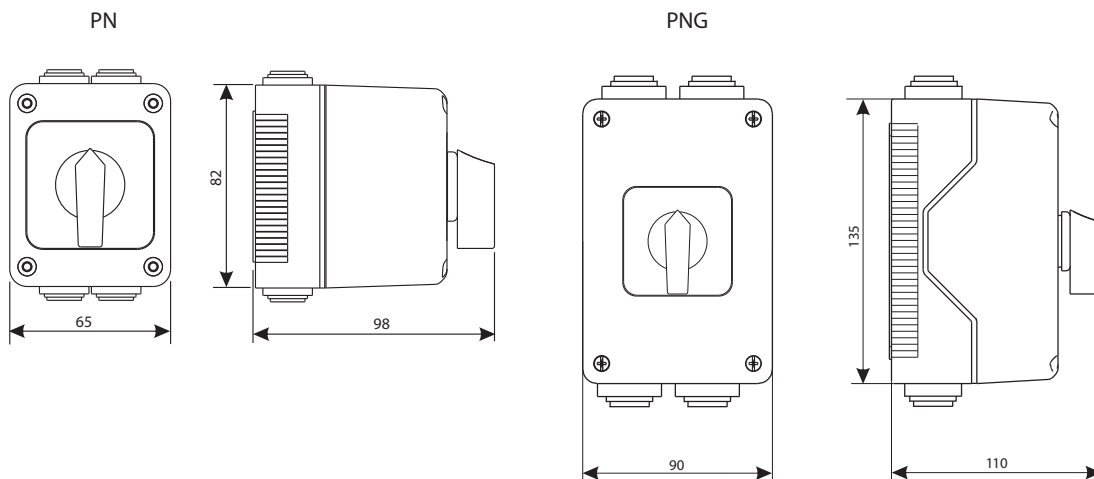
Type, layout and symbol	Nr of poles / elements	Connection diagram
0-1 	1	10
0-1 	2	91
0-1 	3	10
0-1 	4	92
0-1 	3	10

0				
1	X	X	X	X

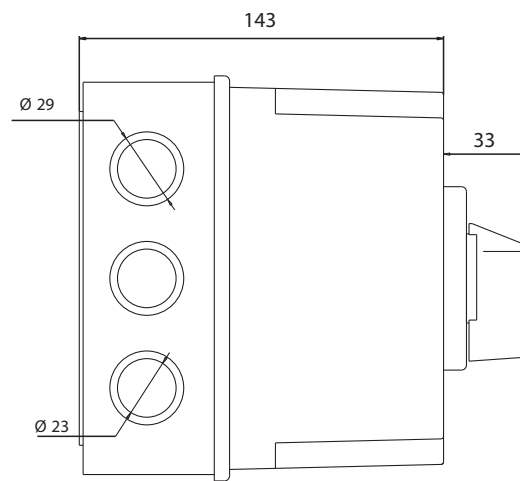
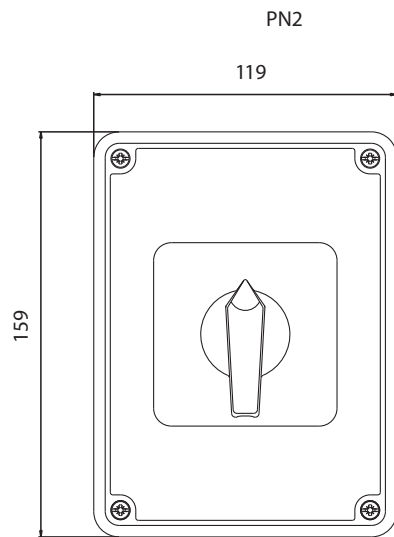
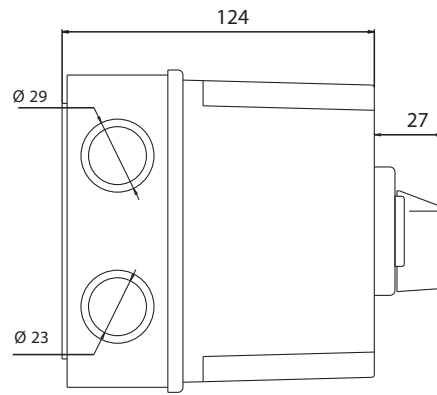
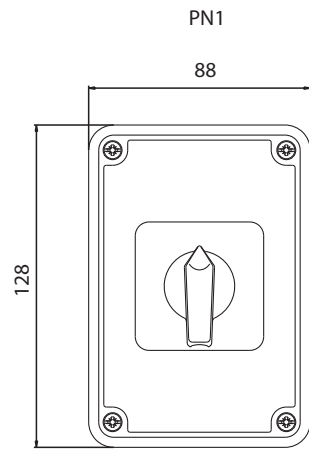
Rotary Cam Switches in insulated enclosures

Technical data and connection diagrams for switches in insulated enclosures are the same as for those without enclosures.

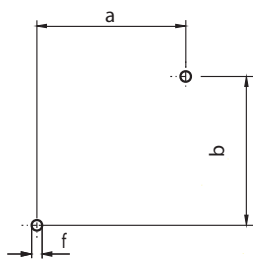
Dimensions



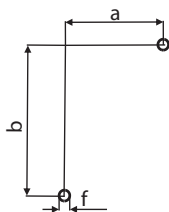
Technical data



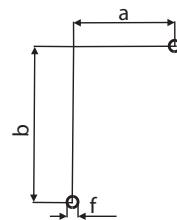
Drilling plan



	a	b	f
PN	44	48	4,3
PNG	48	100	4,3



	a	b	f
PN1	42	82	4,3



	a	b	f
PN2 32	72	112	4,5