

Rotary Cam Switches in Insulated Enclosures

- Rotary cam switches in insulated enclosures with:
- IP65 degree of protection (PN, PNG and PNG LK housing)
- IP55 degree of protection (PN1 and PN2 housing)
- IP54 degree of protection (PN3 and PN4 housing)
- Color of enclosures is grey (RAL 7035)

ON-OFF switches in housing with 60° switching angle

Thermal current
10 - 40 A



1-pole					
Type	Thermal current I_{th}	Code No.	Type, layout and symbol	Weight [g]	Packaging [pcs]
CS 10 90 PN	10A	004773153		175	1
CS 16 90 PN	16A	004773154		175	
CS 25 90 PN	25A	004773155		190	
CS 32 90 PNG	32A	004773156		305	
CS 40 90 PNG	40A	004773157		370	

Connection diagram in technical data

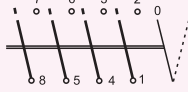
2-pole					
Type	Thermal current I_{th}	Code No.	Type, layout and symbol	Weight [g]	Packaging [pcs]
CS 10 91 PN	10A	004773158		180	1
CS 16 91 PN	16A	004773159		180	
CS 25 91 PN	25A	004773160		190	
CS 32 91 PNG	32A	004773161		210	
CS 40 91 PNG	40A	004773162		370	

Connection diagram in technical data

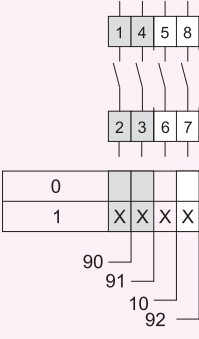
3-pole					
Type	Thermal current I_{th}	Code No.	Type, layout and symbol	Weight [g]	Packaging [pcs]
CS 10 10 PN	10A	004773163		195	1
CS 16 10 PN	16A	004773164		195	
CS 25 10 PN	25A	004773165		215	
CS 32 10 PNG	32A	004773166		350	
CS 40 10 PNG	40A	004773167		450	

Connection diagram in technical data

Type, layout and symbol	Nr of poles / elements	Connection diagram
0-1 	1	10
0-1 	2	91
0-1 	3	10
0-1 	4	92
0-1 	3	10



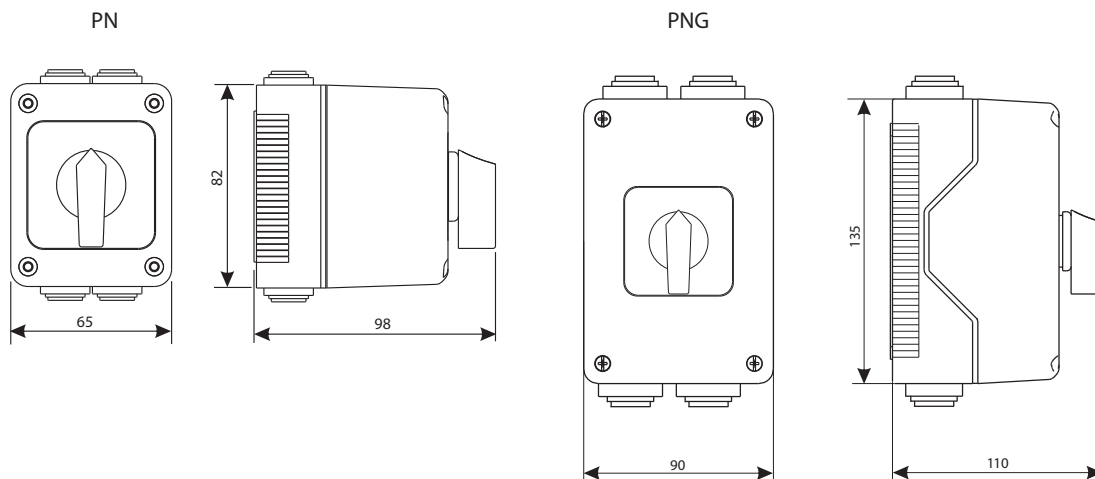
0				
1	X	X	X	X



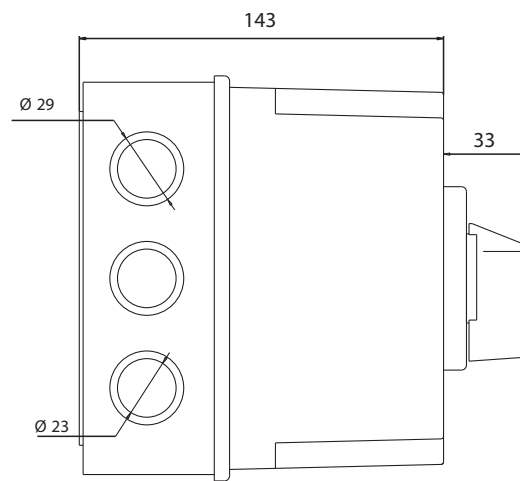
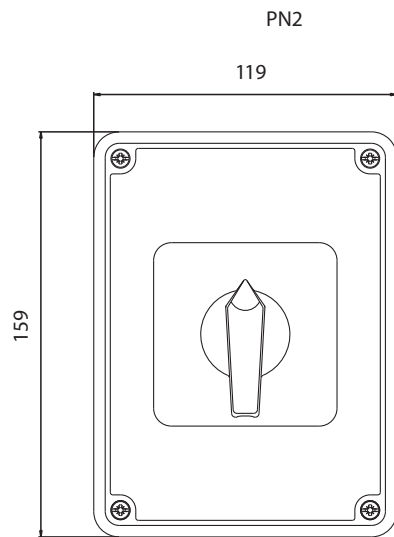
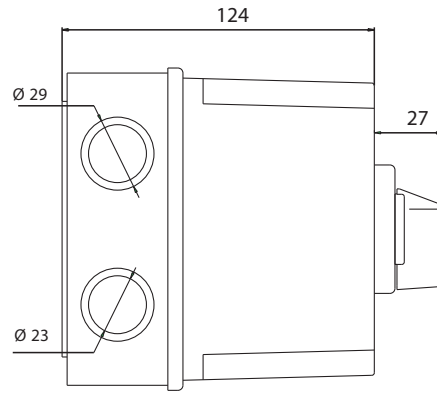
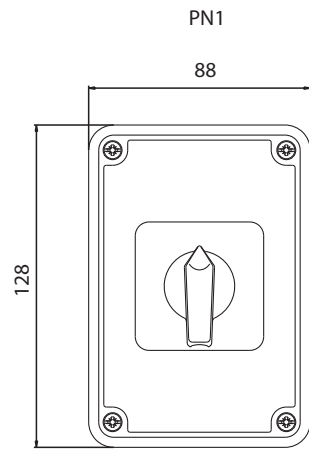
Rotary Cam Switches in insulated enclosures

Technical data and connection diagrams for switches in insulated enclosures are the same as for those without enclosures.

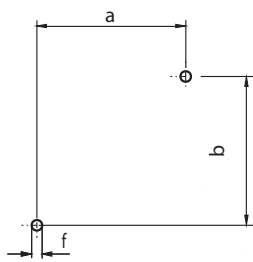
Dimensions



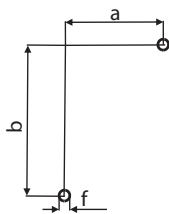
Technical data



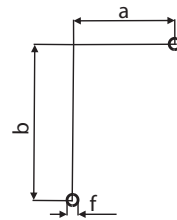
Drilling plan



	a	b	f
PN	44	48	4,3
PNG	48	100	4,3



	a	b	f
PN1	42	82	4,3



	a	b	f
PN2 32	72	112	4,5