

**Contacts**

Type	Function	Code number	Weight [kg]	Packaging [pcs]
E-NO	Normally open contact - NO	004771500	0,008	20/1000
E-NC	Normally closed contact - NC	004771501	0,008	20/1000

**LED holder 24 V AC/DC**

Type	Colour	Code number	Weight [kg]	Packaging [pcs]
EAHI-024C-R	Red	004771508	0,01	30/450
EAHI-024C-G	Green	004771509	0,01	30/450
EAHI-024C-Y	Yellow	004771510	0,01	30/450
EAHI-024C-A	Amber	004771511	0,01	30/450
EAHI-024C-B	Blue	004771512	0,01	30/450
EAHI-024C-W	White	004771513	0,01	30/450

**LED holder 240 V AC**

Type	Colour	Code number	Weight [kg]	Packaging [pcs]
EAHI-240A-R	Red	004771502	0,01	30/450
EAHI-240A-G	Green	004771503	0,01	30/450
EAHI-240A-Y	Yellow	004771504	0,01	30/450
EAHI-240A-A	Amber	004771505	0,01	30/450
EAHI-240A-B	Blue	004771506	0,01	30/450
EAHI-240A-W	White	004771507	0,01	30/450

**Lens cap, for non-illuminated push head actuators**

Type	Colour	Code number	Weight [kg]	Packaging [pcs]
EAF-R	Red	004771518	0,002	50
EAF-G	Green	004771520	0,002	50
EAF-Y	Yellow	004771522	0,002	50
EAF-A	Amber	004771526	0,002	50
EAF-B	Blue	004771524	0,002	50
EAF-W	White	004771515	0,002	50

**Lens cap, for illuminated push head actuators**

Type	Colour	Code number	Weight [kg]	Packaging [pcs]
EAFI-S	Colourless	004771514	0,002	50
EAFI-R	Red	004771519	0,002	50
EAFI-G	Green	004771521	0,002	50
EAFI-Y	Yellow	004771523	0,002	50
EAFI-A	Amber	004771527	0,002	50
EAFI-B	Blue	004771525	0,002	50

**Adaptor Rings from 30 to 22mm**

Type	Colour	Code number	Weight [kg]	Packaging [pcs]
EAR-F/R-Gr	Grey	004771530	0,002	50
EAR-R-Gr	Grey	004771531	0,002	50
EAR-F/R-C	Black	004771535	0,002	50
EAR-F-C	Black	004771536	0,002	50
EAR-F/R-Ch	Chrome	004771540	0,002	50
EAR-R-Ch	Chrome	004771541	0,002	50

**Blanking Plugs**

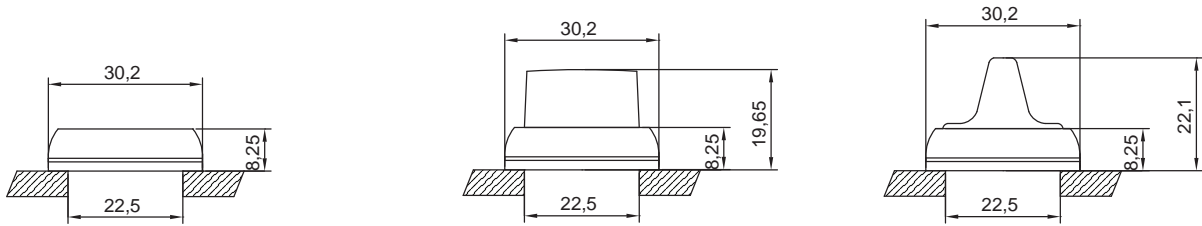
Type	Colour	Code number	Weight [kg]	Packaging [pcs]
EAB-C-Gr	Grey	004771532	0,004	50
EAB-F-Gr	Grey	004771533	0,004	50
EAB-C-C	Black	004771537	0,004	50
EAB-F-C	Black	004771538	0,004	50
EAB-C-Ch	Chrome	004771542	0,004	50
EAB-F-Ch	Chrome	004771543	0,004	50

Non-illuminated actuators and LED indicators

Product	22.5 mm Gen Next LED Indicators	Gen Next LED Actuators
Rated Voltage U	24 V AC/DC 240 V AC	24 V AC/DC 240 V AC
Operating Voltage	-20% <sub>n</sub> U.. +10% <sub>n</sub> U	-20% <sub>n</sub> U.. +10% <sub>n</sub> U
Type of LED	SMD LEDs	SIDE VIEW SMD LEDs
Available Colours	RED/GREEN/YELLOW/AMBER/BLUE/WHITE	RED/GREEN/YELLOW/AMBER/BLUE/WHITE
Life	0.1 million burning hour	0.1 million burning hour
Operating Temperature	-30°C ... 60°C	-30°C ... 60°C
Storage Temperature	-25°C ... 70°C	-25°C ... 70°C
Wire Termination Capacity	0.5mm <sup>2</sup> 1.5 - 2.5 mm	0.5mm <sup>2</sup> 1.5 - 2.5 mm
Terminal Torque	0.5 Nm	0.5 Nm
LVGP	9	9
Surge Test	2 kV	2 kV
HV test for 60 sec.	1.5 kV	1.5 kV
Degree of Protection	Above panel : IP65 For terminals : IP20	Above panel : IP65 For terminals : IP21
International Approvals	CE	CE

Push button actuators and integral push buttons

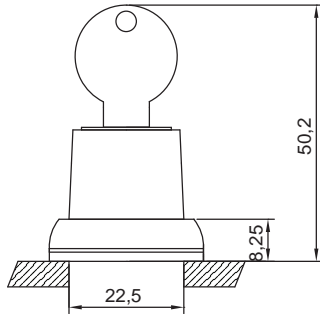
Utilization category	Supply	IEC - 60947-5-1	ITH / Thermal Current
	AC	AC-15	10 A
	DC	DC-13	
Contact		NO & NC	
Rated Voltage	230 V AC	24 V AC	
Rated Current	2 A	1.5 A	
Frequency		50-60 Hz	
Electrical Life for Contact		0.5 million cycle	
HV Test for 60 sec		2.5kV (All Terminals Shorted Together)	
Rated insulation Voltage		600 V AC	
Terminals		Suitable for flexible or solid conductors for 2x5 mm	
Current Carrying Material		Brass	
Contacts Type		Make & Break	
Contact Material		AgNi	
Insulation Resistance at 500 VDC		> 50 Mohm	
Contact Resistance		>20 Mohm	
Function		Push, Push - Turn, Selector, Key	
Colour		RED/GREEN/YELLOW/ORANGE/BLACK/BLUE/WHITE	
Disposition of Contact	<p>□ Contact Open ■ Contact Closed</p> <p>Stroke (mm)</p>		
Environmental Rating			
Operating Temperature		-30°C ... 60°C	
Storage Temperature		-25°C ... 70°C	
IP Rating		IP65 above panel (As per IEC/EN - 60529) & IP20 for Terminals	NEMA 1,2,3,4,4X class 12 & 13
RoHS Compliance		9	
Mechanical Life for Actuators			
Momentary (Push Button with Push Function)		1 mio ops	
Emergency Stop (Turn to Release)		0.1 mio ops	
Selector		0.5 mio ops	



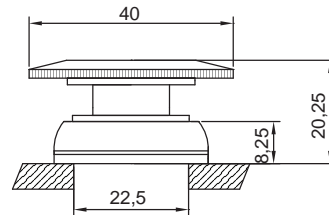
Flush head push button actuator

Projecting head push button actuator

Nap d pokr try piorkiem



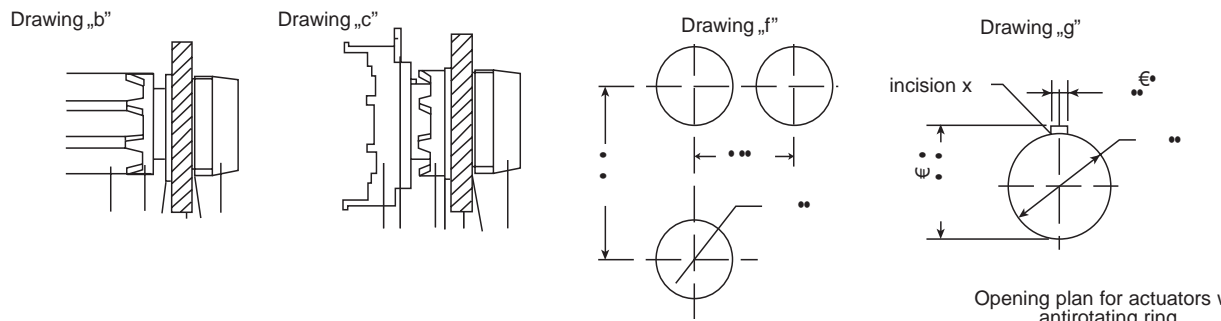
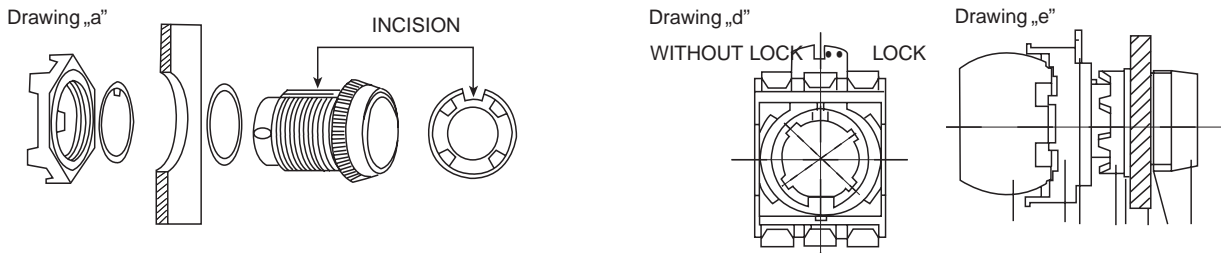
Key actuator



Mushroom head actuator

Above drawings apply to both Integral pushbuttons and pushbutton actuators.

Mounting holes for modular block assemblies



Openings plan for more than one actuator

Opening plan for actuators with antirotating ring

- 1) Drawing a and b - unscrew locking ring (5) from actuator (1)
- 2) Mount actuator with sealing ring (2) in mounting panel openings
- 3) Place antirotating ring (4) with incision on actuator and slide it to the opening with x incision according to drawing g
- 4) Using a xing device (6) tighten locking ring
- 5) Drawings c and d - switch locking ring (7) for first mounting bracket in OPEN position
- 6) Slide first mounting bracket. Check if mounting bracket is oriented according to incision on actuator
- 7) Switch locking ring in CLOSED position
- 8) Drawing e - mount contacts or LED holders to the mounting bracket by latching them on the bracket