







Flush head integral push button - 1 NO + 1 NC

Type	Colour	Code number	Weight [kg]	Packaging [pcs]
ECF-11-R	Red	004771470	0,025	20/300
ECF-11-G	Green	004771471	0,025	20/300
ECF-11-Y	Yellow	004771472	0,025	20/300
ECF-11-C	Black	004771473	0,025	20/300
ECF-11-B	Blue	004771474	0,025	20/300
ECF-11-W	White	004771475	0,025	20/300
ECF-11-A	Amber	004771476	0,025	20/300

Mushroom integral actuator, Push function, 1 NO

Type	Colour	Code number	Weight [kg]	Packaging [pcs]
ECM-P10-R	Red	004771480	0,028	10/150

Mushroom integral actuator, Push function, 1 NC

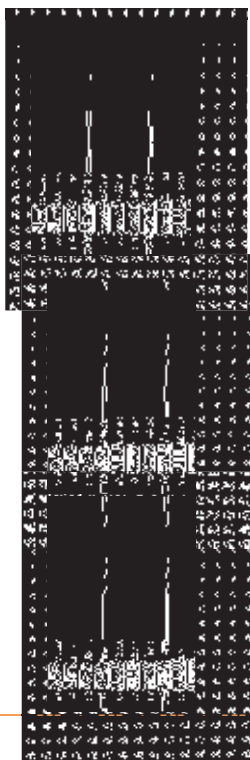
Type	Colour	Code number	Weight [kg]	Packaging [pcs]
ECM-P01-R	Red	004771481	0,028	10/150

Mushroom integral actuator, Push-Turn function, 1 NO

Type	Colour	Code number	Weight [kg]	Packaging [pcs]
ECM-T10-R	Red	004771482	0,028	10/150

Mushroom integral actuator, Push-Turn function, 1 NC

Type	Colour	Code number	Weight [kg]	Packaging [pcs]
ECM-T01-R	Red	004771483	0,028	10/150



Flush head actuator

Type	Colour	Code number	Weight [kg]	Packaging [pcs]
EGFI-R	Red	004771250	0,02	10/140
EGFI-G	Green	004771251	0,02	10/140
EGFI-Y	Yellow	004771252	0,02	10/140
EGFI-W	White	004771253	0,02	10/140
EGFI-B	Blue	004771254	0,02	10/140
EGFI-A	Amber	004771255	0,02	10/140

Projecting head actuator

Type	Colour	Code number	Weight [kg]	Packaging [pcs]
EGPI-R	Red	004771270	0,02	10/140
EGPI-G	Green	004771271	0,02	10/140
EGPI-Y	Yellow	004771272	0,02	10/140
EGPI-W	White	004771273	0,02	10/140
EGPI-B	Blue	004771274	0,02	10/140
EGPI-A	Amber	004771275	0,02	10/140

Symetric head actuator, 2 position with spring return 0-1, 45°

Type	Colour	Code number	Weight [kg]	Packaging [pcs]
EGS2I-S-R	Red	004771330	0,019	10/140
EGS2I-S-G	Green	004771331	0,019	10/140
EGS2I-S-W	White	004771332	0,019	10/140

Symetric head actuator, 2 position with non spring return 0-1, 45°

Type	Colour	Code number	Weight [kg]	Packaging [pcs]
EGS2I-N-R	Red	004771333	0,019	10/140
EGS2I-N-G	Green	004771334	0,019	10/140
EGS2I-N-W	White	004771335	0,019	10/140

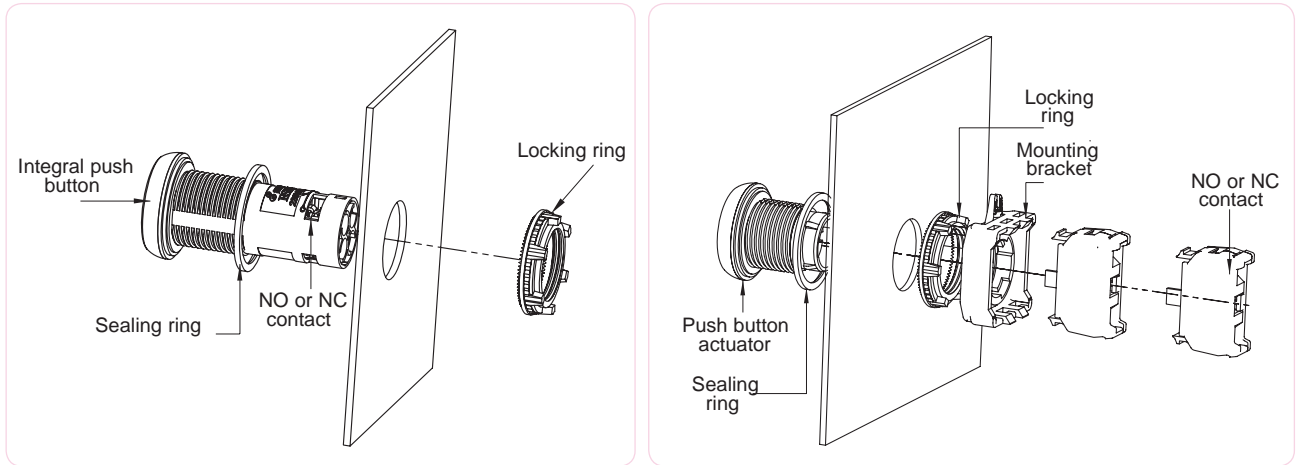
Non-illuminated actuators and LED indicators

Product	22.5 mm Gen Next LED Indicators	Gen Next LED Actuators
Rated Voltage U	24 V AC/DC 240 V AC	24 V AC/DC 240 V AC
Operating Voltage	-20% <sub>n</sub> U.. +10% <sub>n</sub> U	-20% <sub>n</sub> U.. +10% <sub>n</sub> U
Type of LED	SMD LEDs	SIDE VIEW SMD LEDs
Available Colours	RED/GREEN/YELLOW/AMBER/BLUE/WHITE	RED/GREEN/YELLOW/AMBER/BLUE/WHITE
Life	0.1 million burning hour	0.1 million burning hour
Operating Temperature	-30°C ... 60°C	-30°C ... 60°C
Storage Temperature	-25°C ... 70°C	-25°C ... 70°C
Wire Termination Capacity	0.5mm <sup>2</sup> 1.5 - 2.5 mm	0.5mm <sup>2</sup> 1.5 - 2.5 mm
Terminal Torque	0.5 Nm	0.5 Nm
LVGP	9	9
Surge Test	2 kV	2 kV
HV test for 60 sec.	1.5 kV	1.5 kV
Degree of Protection	Above panel : IP65 For terminals : IP20	Above panel : IP65 For terminals : IP21
International Approvals	CE	CE

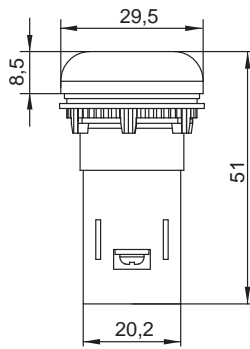
Push button actuators and integral push buttons

Utilization category	Supply	IEC - 60947-5-1	ITH / Thermal Current
	AC	AC-15	10 A
	DC	DC-13	
Contact		NO & NC	
Rated Voltage	230 V AC	24 V AC	
Rated Current	2 A	1.5 A	
Frequency		50-60 Hz	
Electrical Life for Contact		0.5 million cycle	
HV Test for 60 sec		2.5kV (All Terminals Shorted Together)	
Rated insulation Voltage		600 V AC	
Terminals		Suitable for flexible or solid conductors for 2x5 mm	
Current Carrying Material		Brass	
Contacts Type		Make & Break	
Contact Material		AgNi	
Insulation Resistance at 500 VDC		> 50 Mohm	
Contact Resistance		>20 Mohm	
Function		Push, Push - Turn, Selector, Key	
Colour		RED/GREEN/YELLOW/ORANGE/BLACK/BLUE/WHITE	
Disposition of Contact			
Environmental Rating			
Operating Temperature		-30°C ... 60°C	
Storage Temperature		-25°C ... 70°C	
IP Rating		IP65 above panel (As per IEC/EN - 60529) & IP20 for Terminals	NEMA 1,2,3,4,4X class 12 & 13
RoHS Compliance		9	
Mechanical Life for Actuators			
Momentary (Push Button with Push Function)		1 mio ops	
Emergency Stop (Turn to Release)		0.1 mio ops	
Selector		0.5 mio ops	

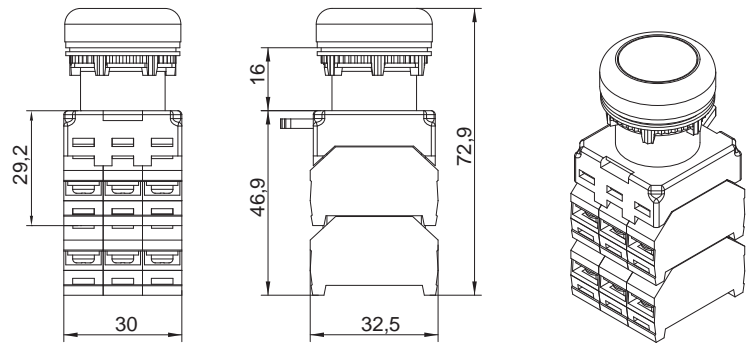
Mounting possibilities



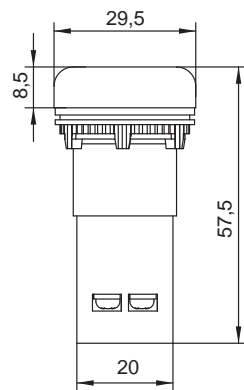
LED indicator



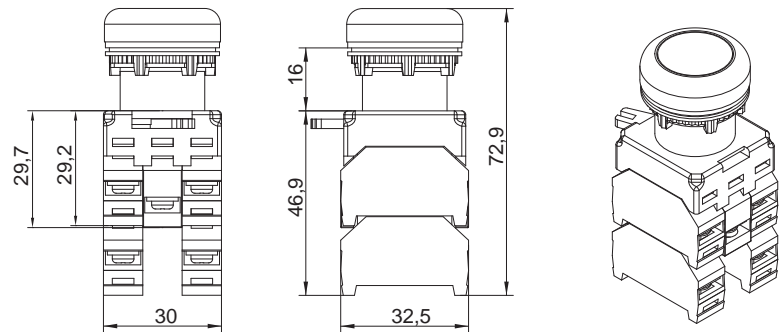
Push button actuator with 3 contacts in first row + 3 contacts in second row



Integral push button



Push button actuator with 4 contacts and one LED holder



To one push button actuator can be applicated 3 contacts or 2 contacts and one LED holder (in one row of ac...  
 To one push button actuator can be applicated 6 contacts or 4 contacts and one LED holder (in two rows of ac...