

Type description			
Kind of actuator	Actuator type	Colour / Function:	Colour:
EG – Non-Illuminated Actuators	F – Flush Head P – Projecting Head	R – Red	
		G – Green	
		Y – Yellow	
		C – Black	
		B – Blue	
		A – Orange (Amber)	
		W – White	
	T – Twin touch	C – Black	R – Red
	M – Mushroom	P – Push Type T – Push-Turn	
	S2 – Selector actuator – symemetric head – 2 position	N – Without Self Return	R – Red
		S – With Self Return	G – Green
	S3 – Selector actuator – symemetric head – 3 position	N90* – deflection of 90 ° between the extreme positions without self return	C – Black
NN – Without self return from both sides		R – Red	
SS – With self return from both sides		G – Green	
SN – Self return from left side NS – Self return from right side		C – Black W – White	
K2 – Key – 2 position	XY45* – deflection of 90 ° between the extreme positions	C – Black	
	XZ90* – deflection of 90 ° between the extreme positions		
	XY90* – deflection of 90 ° between the extreme positions		
	XY – Without Self Return		
	XZ – With Self Return		
K3 – Key – 3 position	ZXZ – With self return from both sides	C – Black	
	YXY – Without self return from both sides		
	ZXY – Self return from left side		
	YXZ – Self return from right side		
EG – Illuminated Actuators	PI – Projecting Head Illum. FI – Flush Head Illum.	R – Red	
		G – Green	
		Y – Yellow	
		C – Black	
		B – Blue	
	TI – Twin touch Illum.	A – Amber W – White	
		B – Blue A – Amber S – Colourless	
	S2I Selector actuator – symemetric head – 2 position illum.	N – Without self return	R – Red
		S – With self return	G – Green
	S3I Selector actuator – symemetric head – 3 position illum.	N90* – deflection of 90 ° between the extreme positions without self return	W – White
NN – Without self return from both sides SS – With self return from both sides		R – Red G – Green W – White	
EC – Non-Illuminated integrated actuators	F – Flush Head	10 - 1 NO	R – Red
		01 - 1 NC	G – Green
		11 - 1 NO and 1 NC contacts	Y – Yellow C – Black B – Blue A – Orange (Amber) W – White
	M – Mushroom	P10 - Monostable with 1 NO contact P01 - Monostable with 1 NC contact T10 - Push-Turn with 1 NO contact T01 - Push-Turn with 1 NC contact	R – Red
EC Illuminated integrated actuators	LI – LED indicator	024C - 24 V AC/DC	R – Red
		240A - 240 V AC	G – Green Y – Yellow B – Blue A – Orange (Amber) W – White

Note:

*X – Position of removing the key; *Y – Position you can't remove the key; *Z – Position of self returning

*In standard actuators (selector and key actuator) in which after first dash you haven't got any number (for example EGK2-XY-C) then the deflection is 90°



* In two positions key actuators in which after first dash you have got "45" number (for example EGK2-XY45-C) then the deflection is 90° and position 1 is 45°



* In standard actuators (selector and key actuator) in which after first dash you have got "90" number (for example EGK2-XY90-C) then the deflection is 90°



Selector actuator -symmetric head, 3pos. Spring Return

Type	Colour	Code number	Weight [kg]	Packaging [pcs]	
EGS3-SS-R		Red	004771344	0,019	10/140
EGS3-SS-G		Green	004771345	0,019	10/140
EGS3-SS-C		Black	004771346	0,019	10/140
EGS3-SS-W		White	004771347	0,019	10/140

Symmetric head actuator, 3 position with spring return from left 1-0-2, 45°

Type	Colour	Code number	Weight [kg]	Packaging [pcs]	
EGS3-SN-R		Red	004771348	0,019	10/140
EGS3-SN-G		Green	004771349	0,019	10/140
EGS3-SN-C		Black	004771350	0,019	10/140
EGS3-SN-W		White	004771351	0,019	10/140

Symmetric head actuator, 3 position with spring return from right 1-0-2, 45°

Type	Colour	Code number	Weight [kg]	Packaging [pcs]	
EGS3-NS-R		Red	004771352	0,019	10/140
EGS3-NS-G		Green	004771353	0,019	10/140
EGS3-NS-C		Black	004771354	0,019	10/140
EGS3-NS-W		White	004771355	0,019	10/140

Key actuator, 2 position 0-1, 45°

Type	Colour	Code number	Function	Weight [kg]	Packaging [pcs]
EGK2-XY-C		Black	004771370 Without self return	0,05	10/140
EGK2-XZ-C		Black	004771372 With self return	0,05	10/140

Key actuator, 2 position 0-1, 90°

Type	Colour	Code number	Function	Weight [kg]	Packaging [pcs]
EGK2-XY45		Black	004771373 Without self return	0,05	10/140
EGK2-XY90		Black	004771371 Without self return	0,05	10/140
EGK2-XZ90		Black	004771374 With self return	0,05	10/140

Key actuator, 3 position 1-0-2, 45°

Type	Colour	Code number	Weight [kg]	Packaging [pcs]	
EGK3-ZXZ-C		Black	004771380	0,05	10/140
EGK3-YXY-C		Black	004771381	0,05	10/140
EGK3-ZXY-C		Black	004771382	0,05	10/140
EGK3-YXZ-C		Black	004771383	0,05	10/140

Twin touch actuator

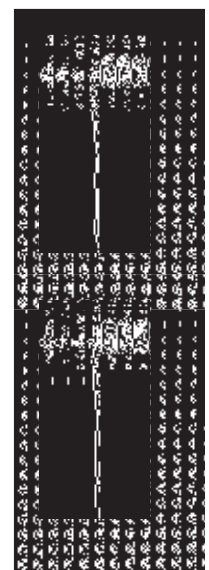
Type	Colour	Code number	Weight [kg]	Packaging [pcs]	
EGT-C		Black	004771390	0,024	10/140


Flush head integral push button - 1 NO

Type	Colour	Code number	Weight [kg]	Packaging [pcs]	
ECF-10-R		Red	004771450	0,021	20/300
ECF-10-G		Green	004771451	0,021	20/300
ECF-10-Y		Yellow	004771452	0,021	20/300
ECF-10-C		Black	004771453	0,021	20/300
ECF-10-B		Blue	004771454	0,021	20/300
ECF-10-W		White	004771455	0,021	20/300
ECF-10-A		Amber	004771456	0,021	20/300

Flush head integral push button - 1 NC

Type	Colour	Code number	Weight [kg]	Packaging [pcs]	
ECF-01-R		Red	004771460	0,021	20/300
ECF-01-G		Green	004771461	0,021	20/300
ECF-01-Y		Yellow	004771462	0,021	20/300
ECF-01-C		Black	004771463	0,021	20/300
ECF-01-B		Blue	004771464	0,021	20/300
ECF-01-W		White	004771465	0,021	20/300
ECF-01-A		Amber	004771466	0,021	20/300

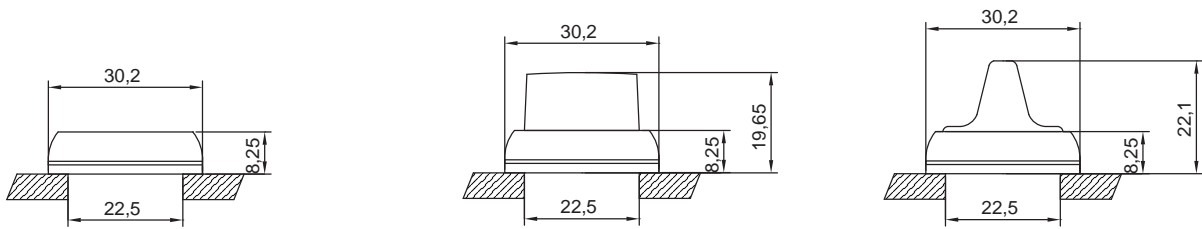


Non-illuminated actuators and LED indicators

Product	22.5 mm Gen Next LED Indicators	Gen Next LED Actuators
Rated Voltage U	24 V AC/DC 240 V AC	24 V AC/DC 240 V AC
Operating Voltage	-20% _n U.. +10% _n U	-20% _n U.. +10% _n U
Type of LED	SMD LEDs	SIDE VIEW SMD LEDs
Available Colours	RED/GREEN/YELLOW/AMBER/BLUE/WHITE	RED/GREEN/YELLOW/AMBER/BLUE/WHITE
Life	0.1 million burning hour	0.1 million burning hour
Operating Temperature	-30°C ... 60°C	-30°C ... 60°C
Storage Temperature	-25°C ... 70°C	-25°C ... 70°C
Wire Termination Capacity	0.5mm ² 1.5 - 2.5 mm	0.5mm ² 1.5 - 2.5 mm
Terminal Torque	0.5 Nm	0.5 Nm
LVGP	9	9
Surge Test	2 kV	2 kV
HV test for 60 sec.	1.5 kV	1.5 kV
Degree of Protection	Above panel : IP65 For terminals : IP20	Above panel : IP65 For terminals : IP21
International Approvals	CE	CE

Push button actuators and integral push buttons

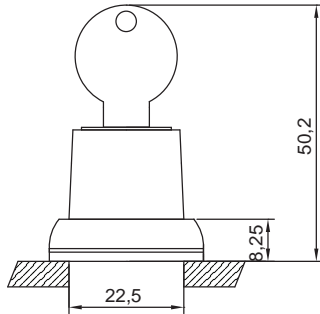
Utilization category	Supply	IEC - 60947-5-1	ITH / Thermal Current
	AC	AC-15	10 A
	DC	DC-13	
Contact		NO & NC	
Rated Voltage	230 V AC	24 V AC	
Rated Current	2 A	1.5 A	
Frequency		50-60 Hz	
Electrical Life for Contact		0.5 million cycle	
HV Test for 60 sec		2.5kV (All Terminals Shorted Together)	
Rated insulation Voltage		600 V AC	
Terminals		Suitable for flexible or solid conductors for 2x5 mm	
Current Carrying Material		Brass	
Contacts Type		Make & Break	
Contact Material		AgNi	
Insulation Resistance at 500 VDC		> 50 Mohm	
Contact Resistance		>20 Mohm	
Function		Push, Push - Turn, Selector, Key	
Colour		RED/GREEN/YELLOW/ORANGE/BLACK/BLUE/WHITE	
Disposition of Contact			
Environmental Rating			
Operating Temperature		-30°C ... 60°C	
Storage Temperature		-25°C ... 70°C	
IP Rating		IP65 above panel (As per IEC/EN - 60529) & IP20 for Terminals	NEMA 1,2,3,4,4X class 12 & 13
RoHS Compliance		9	
Mechanical Life for Actuators			
Momentary (Push Button with Push Function)		1 mio ops	
Emergency Stop (Turn to Release)		0.1 mio ops	
Selector		0.5 mio ops	



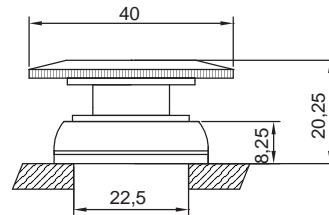
Flush head push button actuator

Projecting head push button actuator

Nap d pokr try piorkiem



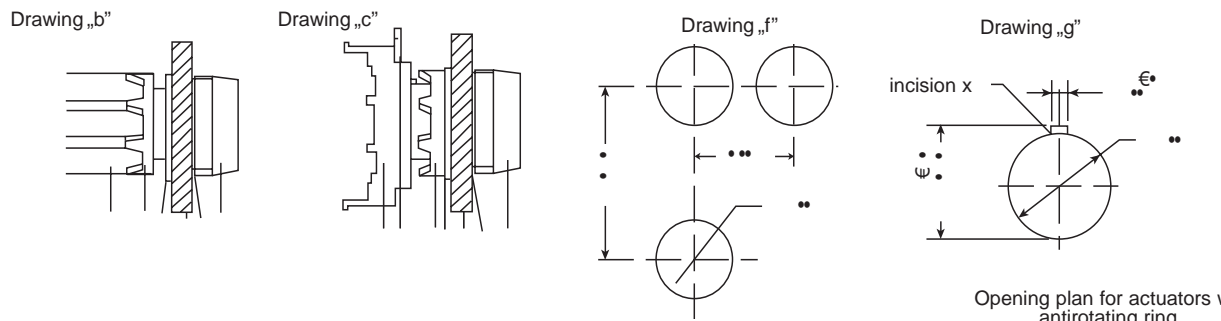
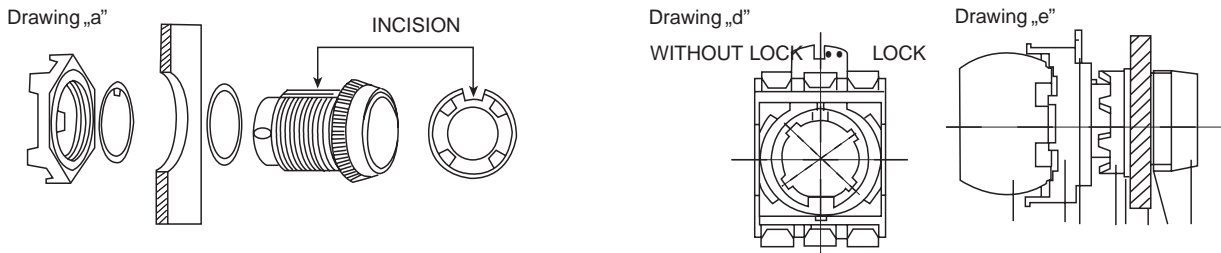
Key actuator



Mushroom head actuator

Above drawings apply to both Integral pushbuttons and pushbutton actuators.

Mounting holes for modular block assemblies



Openings plan for more than one actuator

Opening plan for actuators with antirotating ring

- 1) Drawing a and b - unscrew locking ring (5) from actuator (1)
- 2) Mount actuator with sealing ring (2) in mounting panel openings
- 3) Place antirotating ring (4) with incision on actuator and slide it to the opening with x incision according to drawing g
- 4) Using a xing device (6) tighten locking ring
- 5) Drawings c and d - switch locking ring (7) for first mounting bracket in OPEN position
- 6) Slide first mounting bracket. Check if mounting bracket is oriented according to incision on actuator
- 7) Switch locking ring in CLOSED position
- 8) Drawing e - mount contacts or LED holders to the mounting bracket by latching them on the bracket