

Type description			
Kind of actuator	Actuator type	Colour / Function:	Colour:
EG – Non-Illuminated Actuators	F – Flush Head P – Projecting Head	R – Red	
		G – Green	
		Y – Yellow	
		C – Black	
		B – Blue	
		A – Orange (Amber)	
		W – White	
	T – Twin touch	C – Black	R – Red
	M – Mushroom	P – Push Type T – Push-Turn	
	S2 – Selector actuator – symemetric head – 2 position	N – Without Self Return	R – Red
		S – With Self Return	G – Green
	S3 – Selector actuator – symemetric head – 3 position	N90* – deflection of 90 ° between the extreme positions without self return	C – Black
NN – Without self return from both sides		R – Red	
SS – With self return from both sides		G – Green	
SN – Self return from left side NS – Self return from right side		C – Black W – White	
K2 – Key – 2 position	XY45* – deflection of 90 ° between the extreme positions	C – Black	
	XZ90* – deflection of 90 ° between the extreme positions		
	XY90* – deflection of 90 ° between the extreme positions		
	XY – Without Self Return		
	XZ – With Self Return		
K3 – Key – 3 position	ZXZ – With self return from both sides	C – Black	
	YXY – Without self return from both sides		
	ZXY – Self return from left side		
	YZX – Self return from right side		
EG – Illuminated Actuators	PI – Projecting Head Illum. FI – Flush Head Illum.	R – Red	
		G – Green	
		Y – Yellow	
		C – Black	
		B – Blue	
	TI – Twin touch Illum.	A – Amber W – White	
		B – Blue A – Amber S – Colourless	
	S2I Selector actuator – symemetric head – 2 position illum.	N – Without self return	R – Red
		S – With self return	G – Green
	S3I Selector actuator – symemetric head – 3 position illum.	N90* – deflection of 90 ° between the extreme positions without self return	W – White
NN – Without self return from both sides SS – With self return from both sides		R – Red G – Green W – White	
EC – Non-Illuminated integrated actuators	F – Flush Head	10 - 1 NO	R – Red
		01 - 1 NC	G – Green
		11 - 1 NO and 1 NC contacts	Y – Yellow C – Black B – Blue A – Orange (Amber) W – White
	M – Mushroom	P10 - Monostable with 1 NO contact P01 - Monostable with 1 NC contact T10 - Push-Turn with 1 NO contact T01 - Push-Turn with 1 NC contact	R – Red
EC Illuminated integrated actuators	LI – LED indicator	024C - 24 V AC/DC	R – Red
		240A - 240 V AC	G – Green Y – Yellow B – Blue A – Orange (Amber) W – White

Note:

*X – Position of removing the key; *Y – Position you can't remove the key; *Z – Position of self returning

*In standard actuators (selector and key actuator) in which after first dash you haven't got any number (for example EGK2-XY-C) then the deflection is 90°



* In two positions key actuators in which after first dash you have got "45" number (for example EGK2-XY45-C) then the deflection is 90° and position 1 is 45°



* In standard actuators (selector and key actuator) in which after first dash you have got "90" number (for example EGK2-XY90-C) then the deflection is 90°



Symmetric head actuator, 2 position with non spring return 0-1, 90°

Type	Colour	Code number	Weight [kg]	Packaging [pcs]	
EGS2I-N90-R		Red	004771336	0,019	10/140
EGS2I-N90-G		Green	004771337	0,019	10/140
EGS2I-N90-W		White	004771338	0,019	10/140

Symmetric head actuator, 3 position with spring return 1-0-2, 45°

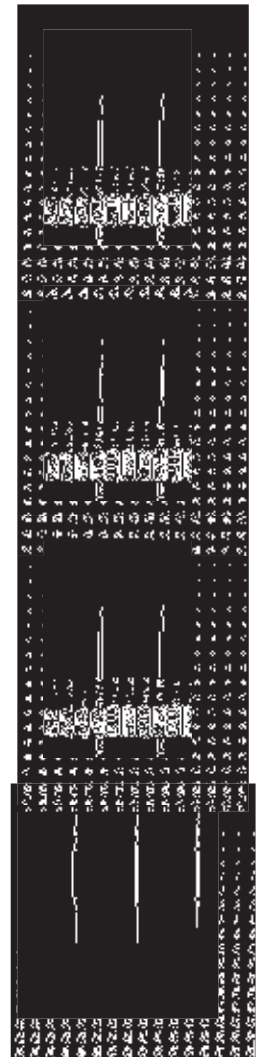
Type	Colour	Code number	Weight [kg]	Packaging [pcs]	
EGS3I-SS-R		Red	004771360	0,019	10/140
EGS3I-SS-G		Green	004771361	0,019	10/140
EGS3I-SS-W		White	004771362	0,019	10/140

Symmetric head actuator, 2 position with non-spring return 1-0-2, 45°

Type	Colour	Code number	Weight [kg]	Packaging [pcs]	
EGS3I-NN-R		Red	004771363	0,019	10/140
EGS3I-NN-G		Green	004771364	0,019	10/140
EGS3I-NN-W		White	004771365	0,019	10/140

Twin touch actuator

Type	Colour	Code number	Weight [kg]	Packaging [pcs]	
EGTI-A		Amber	004771391	0,024	10/140
EGTI-Y		Yellow	004771392	0,024	10/140
EGTI-S		Colourless	004771393	0,024	10/140



ETISIG

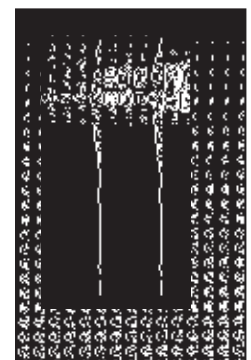
LED indicators 24 V AC/DC

Type	Colour	Code number	Weight [kg]	Packaging [pcs]	
ECLI-024C-R		Red	004771210	0,018	20/300
ECLI-024C-G		Green	004771211	0,018	20/300
ECLI-024C-Y		Yellow	004771212	0,018	20/300
ECLI-024C-B		Blue	004771213	0,018	20/300
ECLI-024C-A		Amber	004771214	0,018	20/300
ECLI-024C-W		White	004771215	0,018	20/300



LED indicators 240 V AC

Type	Colour	Code number	Weight [kg]	Packaging [pcs]	
ECLI-240A-R		Red	004771230	0,018	20/300
ECLI-240A-G		Green	004771231	0,018	20/300
ECLI-240A-Y		Yellow	004771232	0,018	20/300
ECLI-240A-B		Blue	004771233	0,018	20/300
ECLI-240A-A		Amber	004771234	0,018	20/300
ECLI-240A-W		White	004771235	0,018	20/300



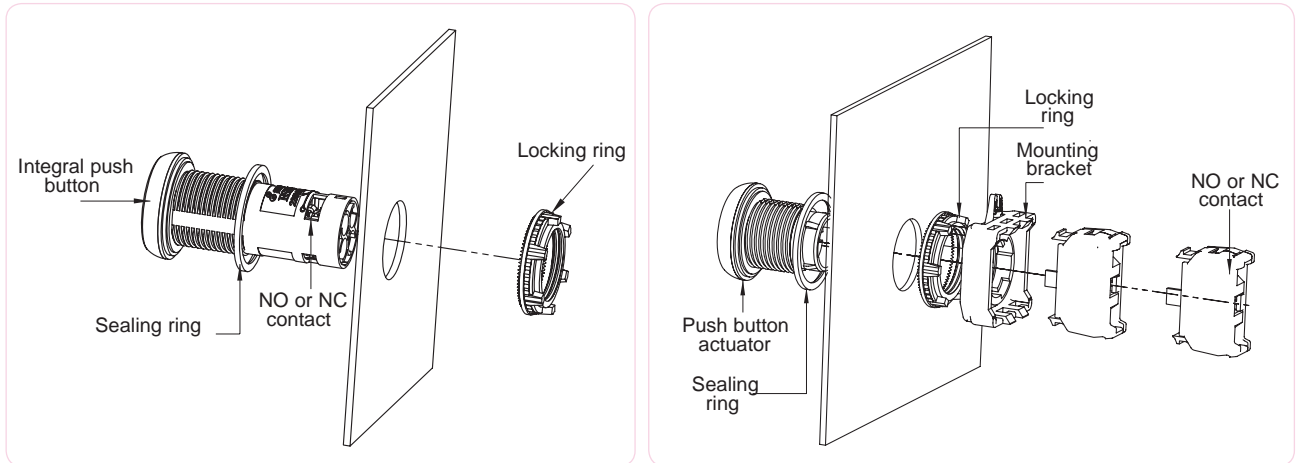
Non-illuminated actuators and LED indicators

Product	22.5 mm Gen Next LED Indicators	Gen Next LED Actuators
Rated Voltage U	24 V AC/DC 240 V AC	24 V AC/DC 240 V AC
Operating Voltage	-20% _n U.. +10% _n U	-20% _n U.. +10% _n U
Type of LED	SMD LEDs	SIDE VIEW SMD LEDs
Available Colours	RED/GREEN/YELLOW/AMBER/BLUE/WHITE	RED/GREEN/YELLOW/AMBER/BLUE/WHITE
Life	0.1 million burning hour	0.1 million burning hour
Operating Temperature	-30°C ... 60°C	-30°C ... 60°C
Storage Temperature	-25°C ... 70°C	-25°C ... 70°C
Wire Termination Capacity	0.5mm ² 1.5 - 2.5 mm	0.5mm ² 1.5 - 2.5 mm
Terminal Torque	0.5 Nm	0.5 Nm
LVGP	9	9
Surge Test	2 kV	2 kV
HV test for 60 sec.	1.5 kV	1.5 kV
Degree of Protection	Above panel : IP65 For terminals : IP20	Above panel : IP65 For terminals : IP21
International Approvals	CE	CE

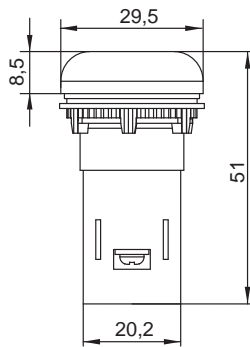
Push button actuators and integral push buttons

Utilization category	Supply	IEC - 60947-5-1	ITH / Thermal Current
	AC	AC-15	10 A
	DC	DC-13	
Contact		NO & NC	
Rated Voltage	230 V AC	24 V AC	
Rated Current	2 A	1.5 A	
Frequency		50-60 Hz	
Electrical Life for Contact		0.5 million cycle	
HV Test for 60 sec		2.5kV (All Terminals Shorted Together)	
Rated insulation Voltage		600 V AC	
Terminals		Suitable for flexible or solid conductors for 2x5 mm	
Current Carrying Material		Brass	
Contacts Type		Make & Break	
Contact Material		AgNi	
Insulation Resistance at 500 VDC		> 50 Mohm	
Contact Resistance		>20 Mohm	
Function		Push, Push - Turn, Selector, Key	
Colour		RED/GREEN/YELLOW/ORANGE/BLACK/BLUE/WHITE	
Disposition of Contact	<p>□ Contact Open ■ Contact Closed</p> <p>Stroke (mm)</p>		
Environmental Rating			
Operating Temperature		-30°C ... 60°C	
Storage Temperature		-25°C ... 70°C	
IP Rating		IP65 above panel (As per IEC/EN - 60529) & IP20 for Terminals	NEMA 1,2,3,4,4X class 12 & 13
RoHS Compliance		9	
Mechanical Life for Actuators			
Momentary (Push Button with Push Function)		1 mio ops	
Emergency Stop (Turn to Release)		0.1 mio ops	
Selector		0.5 mio ops	

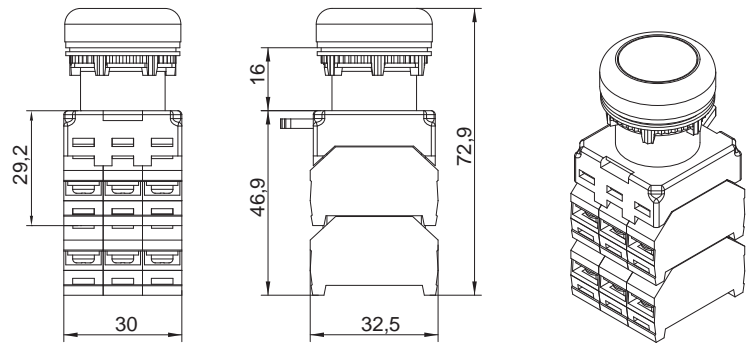
Mounting possibilities



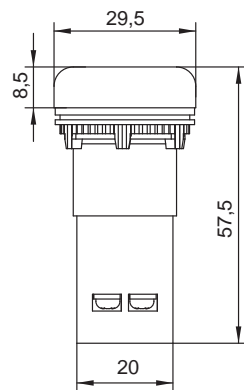
LED indicator



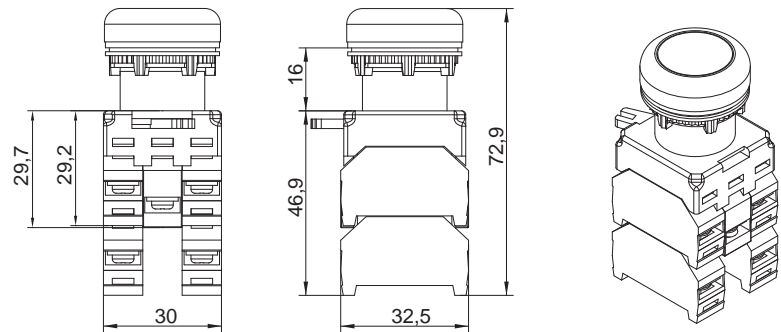
Push button actuator with 3 contacts in first row + 3 contacts in second row



Integral push button



Push button actuator with 4 contacts and one LED holder



To one push button actuator can be applicated 3 contacts or 2 contacts and one LED holder (in one row of ac...
 To one push button actuator can be applicated 6 contacts or 4 contacts and one LED holder (in two rows of ac...