

Compact Load Break Switch CLBS

Advantages of compact load break switches CLBS

Description

CLBS are manually operated and modular multipolar load break switches in range 16A-125A. They make and break under load conditions and provide safety isolation for any low voltage circuit, particularly for machine control circuits. Through the use of accessories, CLBS can be transformed into multipolar load break or 3/4 pole changeover switches. CLBS change over switches provide on load changeover switching between two sources or two low voltage power circuits, as well as their safety isolation. CLBS switches have been designed, qualified and tested according to the criteria defined by standard IEC 60947-3.

→ Three-pole version with the ability to connect:

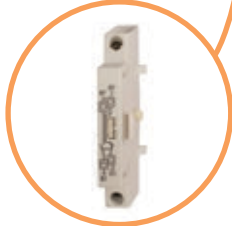
Protective earth module PE



Additional pole, 4th pole



Auxiliary contact



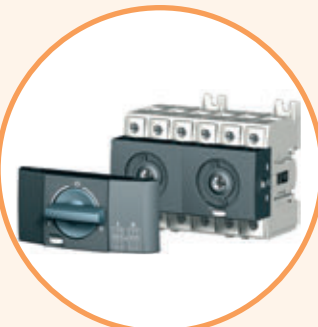
Neutral pole N



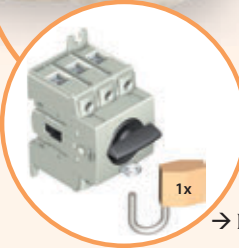
→ Front (direct and external) and right side operation



→ CLBS can be transformed into multipolar load break or 3/4 pole changeover switches



→ Padlocking the handle



General characteristics

- Double break per pole.
- Mounting options: DIN-rail, panel or modular panel with 45 mm front cut-out or directly on door(see door mounting kit).
- IP20 accessories.
- Severe utilisation categories (AC-22 and AC-23).
- Positive break indication.
- Contact point technology.

Applications

- Main incoming load break.
- Distribution load break.
- Machine control.
- Local safety load break.

Advantages

CLBS fully integrates isolation breaking and switching functions. Within a single product CLBS offers front and right side operation. Their highly functional design enables CLBS to be easily transformed from a load break switch to a changeover switch, offering a highly innovative modular solution for numerous applications. Its wide range of accessories means that the CLBS can be upgraded, even after it has been commissioned, enabling future requirements to be met.

The products' colour or shape may be different as on picture

Shafts for door interlocked front handle on change over switches

Type	Description	Code No.	For use with	Weight [g]	Packaging [pcs]
CLBS-S200 CO 125	Shaft, 200mm	004661520	CLBS-EH80/G CO, CLBS-EH125/G CO	0,05	1/100
CLBS-S320 CO 125	Shaft, 320mm	004661521	CLBS-EH80/G CO, CLBS-EH125/G CO	0,09	1/240

For front operation only.



CLBS-GC EH125/01

Guiding cone

Type	Description	Code No.	For use with	Weight [g]	Packaging [pcs]
CLBS-GC EH80, 125	Guiding cone	004661421	CLBS-EH80 CLBS-EH125	130	1/240
CLBS-GC (CLBS-EH125/01)	Guiding cone	004661489	CLB-EH125/01	29	1/25

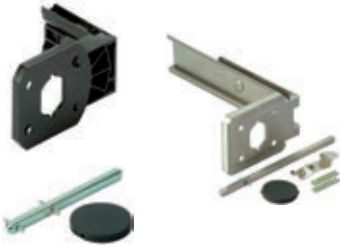
To guide the shaft extension into the external handle. This accessory enables handle to engage extension shaft with a misalignment of up to 15 mm. Required for shaft lengths over 320 mm.

Door mounting kit (handle not included)

Type	Description	Code No.	For use with	Weight [g]	Packaging [pcs]
CLBS-DMK80	Compact version	004661413	CLBS 25-80A 3P	60	1/50
CLBS-DMK125	Steel support	004661414	CLBS 100-125A 3P	120	1/20

This kit enables the direct mounting of the switch on the panel door, or on the left or right side of the panel. The connection clamps of the switch are always accessible. The external handle is quick and easy to install with the supplied locking nut mounted on the inside of the enclosure.

Not compatible with CLBS-EH125/01 handles



CLBS-DMK80

CLBS-DMK125

Additional pole, 4th pole CLBS-4P

Type	Description	Code No.	For use with	Weight [g]	Packaging [pcs]
CLBS-4P/16	Additional pole	004661432	CLBS 16A 3P	72	1/36
CLBS-4P/25	Additional pole	004661433	CLBS 25A3P	72	1/36
CLBS-4P/40	Additional pole	004661434	CLBS 40A 3P	72	1/36
CLBS-4P/63	Additional pole	004661435	CLBS 63A 3P	100	1/36
CLBS-4P/80	Additional pole	004661436	CLBS 80A 3P	102	1/36
CLBS-4P/100	Additional pole	004661437	CLBS 100 A 3P	200	1/16
CLBS-4P/125	Additional pole	004661438	CLBS 125 A 3P	205	1/16

Installation of 4th pole converts 3 pole CLBS to 4 pole load break switch or 3 pole CLBS changeover switch into a 4 pole changeover switch.

Solid neutral pole CLBS-N

Type	Description	Code No.	For use with	Weight [g]	Packaging [pcs]
CLBS-N/40	Solid neutral pole	004661443	CLBS 16-40A 3P	200	1/36
CLBS-N/80	Solid neutral pole	004661444	CLBS 63-80A 3P	200	1/36
CLBS-N/125	Solid neutral pole	004661445	CLBS 100-125A 3P	200	1/16

Neutral pole is fixed and can not be switched.

Protective earth pole CLBS-PE

Type	Description	Code No.	For use with	Weight [g]	Packaging [pcs]
CLBS-PE/40	Protective earth pole	004661446	CLBS 16-40A 3P	200	1/36
CLBS-PE/80	Protective earth pole	004661447	CLBS 63-80A 3P	200	1/36
CLBS-PE/125	Protective earth pole	004661448	CLBS 100-125A 3P	200	1/16

Protective earth pole is fixed and can not be switched.



CLBS-4P
16.80



CLBS-4P
100-125



CLBS-N
100-125



CLBS-N
16.80



CLBS-PE
16.80

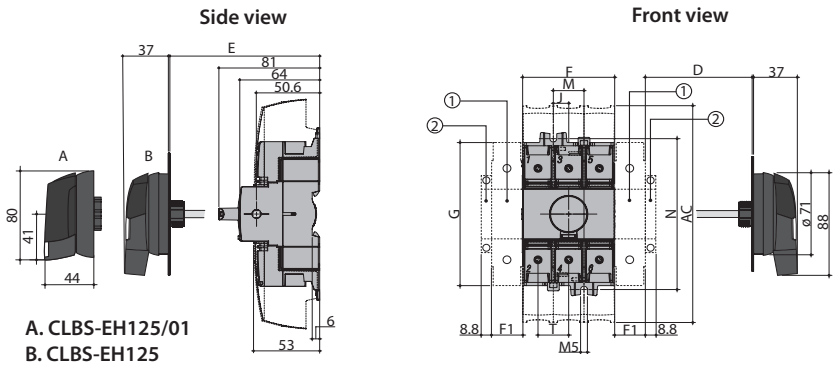


CLBS-PE
100-125

CLBS 100-CLBS 125

External front operation

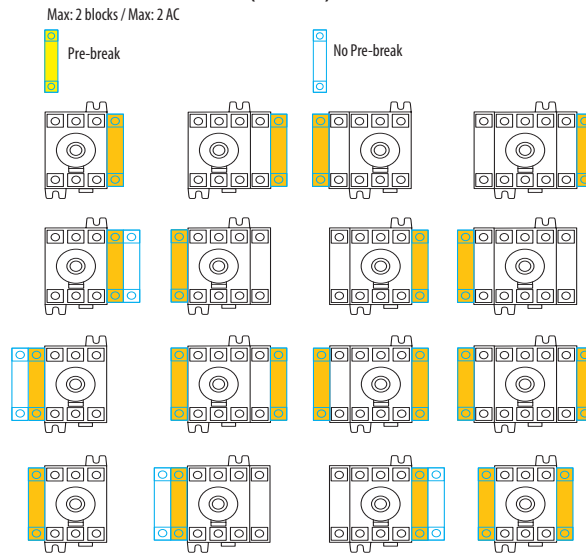
External side operation



1. Location for: 1 switched fourth pole module (1 per device max.)
or 1 unswitched neutral pole
or 1 protective earth module
or 1 auxiliary contact.
2. Position for 1 auxiliary contact only.
Note: max 2 additional blocks.
More information about acceptable combinations of auxiliary switches and additional poles below.

Rating (A)	Overall dimensions, (mm)				Terminal shrouds, (mm) AC	Switch body, (mm)				Switch mounting, (mm)		Connection, (mm) T
	D min	D max	E min	E max		F	F1	G	J	M	N	
100-125	30	201	100	372	189	78	26	124.6	13	26	131.4	26

Auxiliary contact configurations CLBS-PS11 (NO+NC)



Contact type	Nominal current (A)	Operating current I _e (A), 230V AC	
		AC-13	AC-15
NO+NC	10	10	6

Configuration additional pole, solid neutral pole and protective earth pole

