

Compact Load Break Switch CLBS

Advantages of compact load break switches CLBS

Description

CLBS are manually operated and modular multipolar load break switches in range 16A-125A. They make and break under load conditions and provide safety isolation for any low voltage circuit, particularly for machine control circuits. Through the use of accessories, CLBS can be transformed into multipolar load break or 3/4 pole changeover switches. CLBS change over switches provide on load changeover switching between two sources or two low voltage power circuits, as well as their safety isolation. CLBS switches have been designed, qualified and tested according to the criteria defined by standard IEC 60947-3.

→ Three-pole version with the ability to connect:

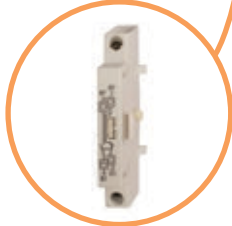
Protective earth module PE



Additional pole, 4th pole



Auxiliary contact



Neutral pole N



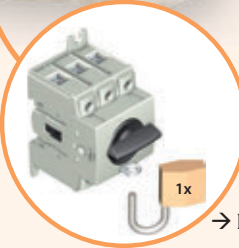
→ Front (direct and external) and right side operation



→ CLBS can be transformed into multipolar load break or 3/4 pole changeover switches



→ Padlocking the handle



General characteristics

- Double break per pole.
- Mounting options: DIN-rail, panel or modular panel with 45 mm front cut-out or directly on door(see door mounting kit).
- IP20 accessories.
- Severe utilisation categories (AC-22 and AC-23).
- Positive break indication.
- Contact point technology.

Applications

- Main incoming load break.
- Distribution load break.
- Machine control.
- Local safety load break.

Advantages

CLBS fully integrates isolation breaking and switching functions. Within a single product CLBS offers front and right side operation. Their highly functional design enables CLBS to be easily transformed from a load break switch to a changeover switch, offering a highly innovative modular solution for numerous applications. Its wide range of accessories means that the CLBS can be upgraded, even after it has been commissioned, enabling future requirements to be met.

The products' colour or shape may be different as on picture

Compact Load Break Switch CLBS

Auxiliary contact

Type	I [A]	Description	Code No.	For use with	Weight [g]	Packaging [pcs]
CLBS-PS11	10	Auxiliary contact NO+NC	004661425	CLBS 16-125A	44	1/52

Pre-break and signalisation of positions 0 and 1 by NO+NC. Auxiliary switch allows to anticipate switching of the main poles. It can be mounted on the left or on the right side of the device.



CLBS-PS11

Change over kit (direct handle included) I-0-II

Type	Description	Code No.	For use with	Weight [g]	Packaging [pcs]
CLBS-CK80	Change over kit, black handle 1-0-2	004661439	2xCLBS 16-80A 3P	74	1/42
CLBS-CK125	Change over kit, black handle 1-0-2	004661440	2xCLBS 100-125A 3P	240	1/10

Two CLBS bodies must be ordered separately for one Change over kit



CLBS-CK80



CLBS-CK125

Change over kit (direct handle included) I-I+II-II

Type	Description	Code No.	For use with	Weight [g]	Packaging [pcs]
CLBS-CKI+II80	Change over kit, black handle 1-1+2-2	004661522	2xCLBS 16-80A 3P	90	1/42
CLBS-CKI+II125	Change over kit, black handle 1-1+2-2	004661523	2xCLBS 100-125A 3P	240	1/10

Two CLBS bodies must be ordered separately for one Change over kit

Door interlocked front handle IP65 (shaft not included) for change over switch - External front operation

Type	Description	Code No.	For use with	Weight [g]	Packaging [pcs]
CLBS-EH80/G CO	Door interlocked front handle, grey front 1-0-2	004661441	CLBS-CK80	101	1/45
CLBS-EH125/G CO	Door interlocked front handle, grey front 1-0-2	004661442	CLBS-CK125	101	1/45

Type definition: Handle type / color initials



CLBS-EH80/G CO



CLBS-EH125/G CO

Applications

Top and bottom protection against direct contact with the terminals or connection parts. An opening on each terminal cover makes it possible to insert a temperature measurement probe.

Terminal shrouds (covers)

Type	Description	Code No.	For use with	Weight [g]	Packaging [pcs]
CLBS-TS40 3P	Terminal shroud 3P 16-40A	004661426	CLBS 16-40A	20	1/110
CLBS-TS80 3P	Terminal shroud 3P 63-80A	004661427	CLBS 63-80A	20	1/125
CLBS-TS125 3P	Terminal shroud 3P 100-125A	004661428	CLBS 100-125A	63	1/22
CLBS-TS40 1P	Terminal shroud 1P 16-40A	004661429	CLBS 16-40A	8	1/200
CLBS-TS80 1P	Terminal shroud 1P 63-80A	004661430	CLBS 63-80A	6	1/200
CLBS-TS125 1P	Terminal shroud 1P 100-125A	004661431	CLBS 100-125A	22	1/120

One reference code includes 2 pcs 1 for top and 1 for bottom contacts.



CLBS-TS40 3P



CLBS-TS40 1P

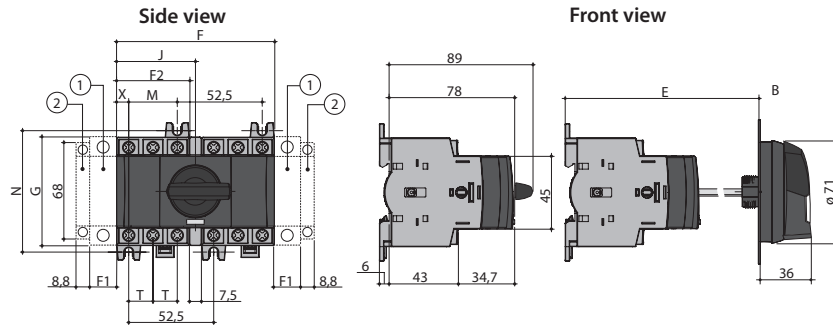
The products' colour or shape may be different as on picture

Direct operation

External front operation

CLBS 16 - CLBS 80 - with change over kit

CLBS 16 - CLBS 80 - with change over kit



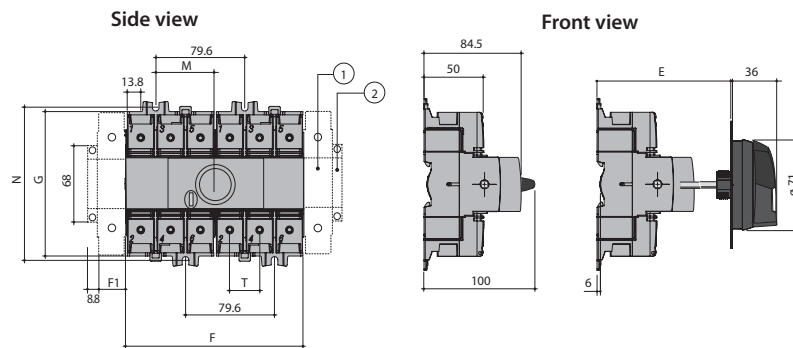
Rating (A)	Overall dimensions, (mm)		Switch body, (mm)					Switch mounting, (mm)		Connection, (mm)	
	E min	E max	F	F1	F2	G	J	M	N	T	X
16-40	105	372	97.5	15	45	68	48.75	30	75	15	7.5
63-80	105	372	105	17.5	52.5	76	52.5	35	85	17.5	8.75

Direct front operation

External front operation

CLBS 100 - CLBS 125 -with change over kit

CLBS 100 - CLBS 125 -with change over kit



Rating (A)	Overall dimensions, (mm)		Switch body, (mm)			Switch mounting, (mm)		Connection, (mm)
	E min	E max	F	F1	G	M	N	T
100-125	105	372	159	26	124.5	52.8	131.5	26