

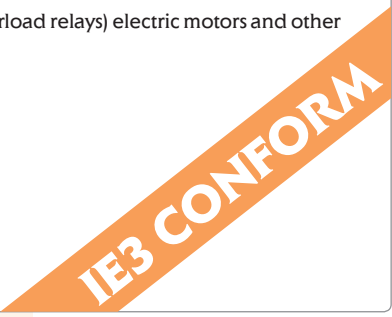
Motor contactor CEM

Application

Contactors are used to remotely control and protect (in combination with overload relays) electric motors and other electric loads with nominal power up to 160kW (at 400V AC3 duty).

Advantages

- Mounting on DIN rail and mounting plates
- High technical performance
- Low power loss (current heat loss)
- Protection against direct contact from front (IEC 536) IP20
- Wide range of accessories
- Surge suppressor (as option)
- Control voltage 24VAC, 48VAC, 110VAC, 230VAC, 400VAC



Ordering:

CEM9.01-230V-50/60Hz

I(AC3)[A] Coil voltage

Nr. of NO Nr. of NC - Number and type of auxiliary contacts

Advantages



→ The possibility of replacing the coil to other rated voltage. (AC coil compatible only with AC contactor. DC coil compatible only with DC contactor)



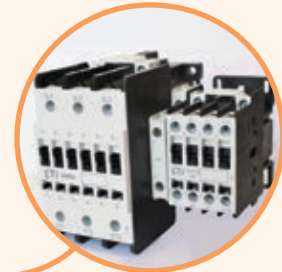
→ Surge suppressors can be mounted as close as possible to source (coil).



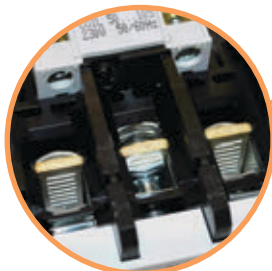
→ Lateral (side mounting) of auxiliary contacts.



→ Front mounted auxiliary contacts



→ Mechanical interlock can lock two different size contactors



→ Special designed terminals provide reliable contact with cables.



→ Up to CEM105 possible to mount on DIN rail TH35 or directly on panel.



→ Overload relay (bimetal) can be mounted directly on contactor or on DIN rail TH35 by using an adapter

Motor contactor CEM9.10; 25A(AC1); 9A; 4kW(AC3)*				
Type	Code No.	Wiring diagram	Weight [g]	Packaging [pcs]
CEM9.10-24V-50/60Hz	004642120		295	1
CEM9.10-48V-50/60Hz	004642121		295	1
CEM9.10-110V-50/60Hz	004642122		295	1
CEM9.10-230V-50/60Hz	004642123		295	1
CEM9.10-400V-50/60Hz	004642124		295	1
CEM9.10-24V DC	004642220		510	1
CEM9.10-220V DC	004642221		510	1

* Auxiliary contact 1NO integrated

Motor contactor CEM9.01; 25A(AC1); 9A; 4kW(AC3)*				
Type	Code No.	Wiring diagram	Weight [g]	Packaging [pcs]
CEM9.01-24V-50/60Hz	004642110		295	1
CEM9.01-48V-50/60Hz	004642111		295	1
CEM9.01-110V-50/60Hz	004642112		295	1
CEM9.01-230V-50/60Hz	004642113		295	1
CEM9.01-400V-50/60Hz	004642114		295	1
CEM9.01-24V DC	004642210		510	1
CEM9.01-220V DC	004642211		510	1

* Auxiliary contact 1NC integrated



For auxiliary contact blocks, see page 230

Motor contactor CEM12.10; 25A(AC1); 12A; 5.5kW(AC3)*				
Type	Code No.	Wiring diagram	Weight [g]	Packaging [pcs]
CEM12.10-24V-50/60Hz	004643120		295	1
CEM12.10-48V-50/60Hz	004643121		295	1
CEM12.10-110V-50/60Hz	004643122		295	1
CEM12.10-230V-50/60Hz	004643123		295	1
CEM12.10-400V-50/60Hz	004643124		295	1
CEM12.10-24V DC	004643220		510	1
CEM12.10-220V DC	004643221		510	1

* Auxiliary contact 1NO integrated



Motor contactor CEM12.01; 25A(AC1); 12A; 5.5kW(AC3)*				
Type	Code No.	Wiring diagram	Weight [g]	Packaging [pcs]
CEM12.01-24V-50/60Hz	004643110		295	1
CEM12.01-48V-50/60Hz	004643111		295	1
CEM12.01-110V-50/60Hz	004643112		295	1
CEM12.01-230V-50/60Hz	004643113		295	1
CEM12.01-400V-50/60Hz	004643114		295	1
CEM12.01-24V DC	004643210		510	1
CEM12.01-220V DC	004643211		510	1

* Auxiliary contact 1NC integrated

Overload relay

ETICON



Overload relay RE27D

Type	Code No.	Current setting range [A]	For use with	Weight [g]	Packaging [pcs]
RE27D-0,4	004642400	0,28-0,4	CEM09 ... CEM25	147	1
RE27D-0,63	004642401	0,4-0,63			
RE27D-0,8	004642402	0,56-0,8			
RE27D-1,2	004642403	0,8-1,2			
RE27D-1,8	004642404	1,2-1,8			
RE27D-2,8	004642405	1,8-2,8			
RE27D-4,0	004642406	2,8-4,0			
RE27D-6,3	004642407	4-6,3			
RE27D-8,0	004642408	5,6-8			
RE27D-10	004642409	7-10			
RE27D-12,5	004642410	8-12,5			
RE27D-15	004642411	10-15			
RE27D-17	004642412	11-17			
RE27D-23	004642413	15-23			
RE27D-32	004642414	22-32			



Overload relay RE67.1D

Type	Code No.	Current setting range [A]	For use with	Weight [g]	Packaging [pcs]
RE67.1D-40	004643415	25-40	CEM32... CEM40	300	1
RE67.1D-50	004643416	32-50			



Overload relay RE67.2D

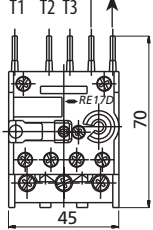
Type	Code No.	Current setting range [A]	For use with	Weight [g]	Packaging [pcs]
RE67.2D-57	004644417	40-57	CEM50 ... CEM80	310	1
RE67.2D-63	004644418	50-63			
RE67.2D-70	004644419	57-70			
RE67.2D-80	004644420	63-80			

Overload relay

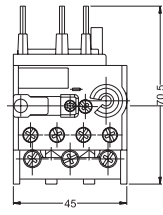
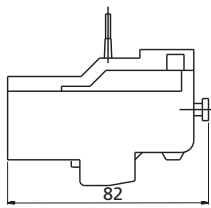
- phase-failure sensitivity to IEC/EN 60947-4-1, DIN VDE 0660T.102
- tripping class 10 according to standard 60947-4-1
- temperature compensation
- auxiliary contact 1NO/1NC
- hand/auto/reset

PIN from auxiliary contactor

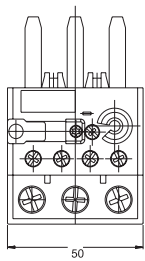
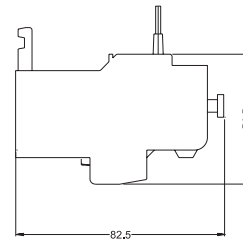
T1 T2 T3
PIN from coil from contactor



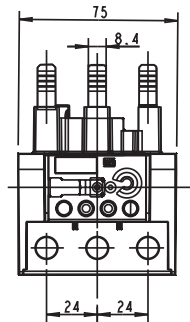
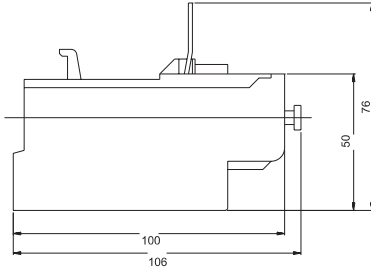
RE17D



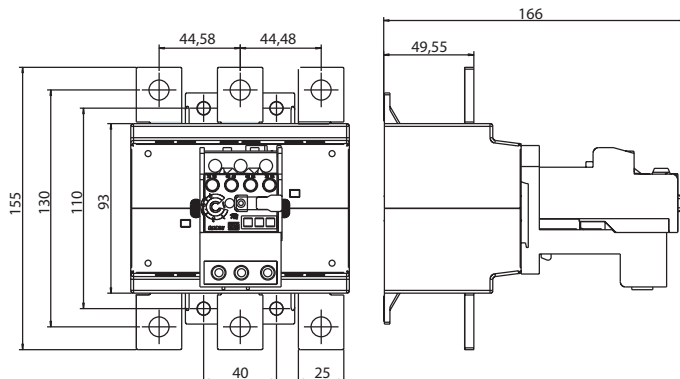
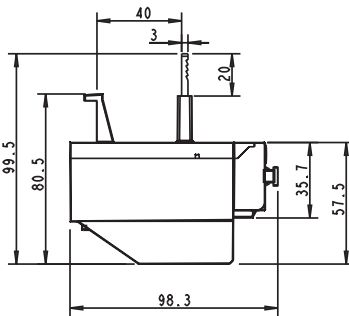
RE27D



RE67D



RE117.1D



RE317D

overload relay current setting	recommended fuse gG (A)
0,28-0,4	2
0,4-0,63	2
0,56-0,8	2
0,8-1,2	4
1,2-1,8	6
1,8-2,8	6
2,8-4	10
4-6,3	16
5,6-8	20
7-10	25
8-12,5	25
10-15	35
11-17	35
15-23	50
22-32	63
25-40	80
32-50	100
40-57	100
50-63	100
57-70	125
63-80	125
75-97	200
90-112	250
100-150	315
140-215	355
200-310	500