

Surge suppressor					
Type	Code No.	voltage	Wiring diagram	Weight [g]	Packaging [pcs]
RCCE-1	004641720	12-24V 50/60Hz		6	1
RCCE-2	004641721	24-48V 50/60Hz			
RCCE-3	004641722	48-127V 50/60Hz			
RCCE-4	004641723	127-250V 50/60Hz			
RCCE-5	004641724	250-380V 50/60Hz			
RCCE-6	004641725	380-510V 50/60Hz			
VRCE-1	004641726	12-48V AC/12-60V DC		6	1
VRCE-2	004641727	50-127V AC/60-180V DC			
VRCE-3	004641728	130-275V AC/180-300V DC			
VRCE-4	004641729	277-380V AC/300-510V DC			
VRCE-5	004641730	400-510V AC			
DICE-1	004641731	12-600V DC		6	1



Mechanical interlock			
Type	Code No.	Weight [g]	Packaging [pcs]
BECO	004643603	15	1

For use with CEC



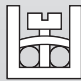
Printed circuit board adapter			
Type	Code No.	Weight [g]	Packaging [pcs]
CECO	004642720	126	1

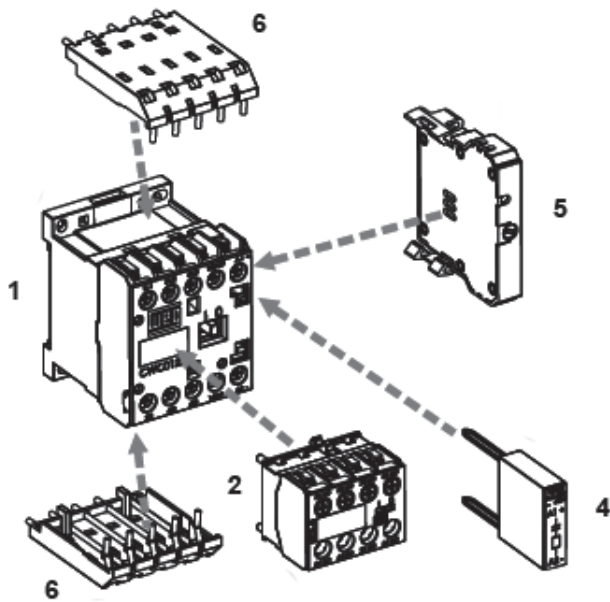
For use with CEC



Overload relay RE17D					
Type	Code No.	Current setting range [A]	For use with	Weight [g]	Packaging [pcs]
RE17D-0,4	004641400	0,28-0,4	CEC07 – CEC016	150	1
RE17D-0,63	004641401	0,4-0,63			
RE17D-0,8	004641402	0,56-0,8			
RE17D-1,2	004641403	0,8-1,2			
RE17D-1,8	004641404	1,2-1,8			
RE17D-2,8	004641405	1,8-2,8			
RE17D-4,0	004641406	2,8-4,0			
RE17D-6,3	004641407	4-6,3			
RE17D-8,0	004641408	5,6-8			
RE17D-10	004641409	7-10			
RE17D-12,5	004641410	8-12,5			
RE17D-15	004641411	10-15			
RE17D-17	004641412	15-17			



Technical data				CE07	CEC07	CEC09	CEC012	CEC016	CECA0	CAE04
Type										
Terminal capacity				mm ² 1 x / 2 x (0,5...2,5)						
										
Tightening torque	Nm			0,8		1...1,5			0,8	
Control circuit										
Power consumption of the coil	AC	Closing	VA	20		30			20	
		Cospφ				0,8				
	DC	Closing	VA	3,3...5,5		2...3			3,3...5,5	
		Cospφ		0,2		0,27			0,2	
Switching time	Closing/opening (AC)		ms	9...30 / 5...25		8...20 / 6...13			9...30 / 5...25	
			ms	-		35...45 / 7...12			-	
	Coils rated voltage		V	12-660 VAC		12-660 VAC / 12-440 VDC			12-660 VAC	
Coil operational limits			0,85...1,1							



- 1 - Mini contactor
- 2 - Auxiliary frontal contacts block
- 3 - Mechanical interlock block
- 4 - Surge suppressor blocks
- 5 - Timer
- 6 - Link module for printed circuit board

