

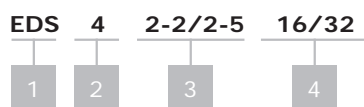
## Distribution boxes EDS

### Distribution boxes EDS

Degree of protection - IP 44, IP 54  
 Nominal current 16 A, 32 A / 5P  
 Nominal voltage 250 V  
 Mechanical resistance of boxes IK 07, IK 09, IK 10  
 Products do not contain substances banned under the RoHS directive.

Ordering:

1 - type  
 2 - number of modules  
 3 - 2 x schuko version / 2 x 5 poles  
 4 - Nominal current 16A, 32A



#### EDS 4 mini

Type	Code No.	Sockets applied			Circuit breakers			Degree of protection IP	Weight [kg]	Packaging [pcs]
		16A/5P	32A/5P	Schuko 250V	C16/1	C16/3	C32/3			
EDS4m 2-2/1-5 16	004483110	1		2	1	1		44	0,4	1
EDS4m 2-2/1-5 32	004483111		1	2	1		1	44	0,4	1



#### EDS 4

Type	Code No.	Sockets applied			Circuit breakers			Degree of protection IP	Weight [kg]	Packaging [pcs]
		16A/5P	32A/5P	Schuko 250V	C16/1	C16/3	C32/3			
EDS4 2-2/2-5 16	004483100	2		2	1	1		44	0,5	1
EDS4 2-2/2-5 32	004483101		2	2	1		1	44	0,5	1
EDS4 2-2/2-5 16/32	004483102	1	1*	2	1	1		44	0,5	1

\*Socket 32A/5P - protected with 16A MCB!



#### EDS 4 H with handle

Type	Code No.	Sockets applied			Circuit breakers			Degree of protection IP	Weight [kg]	Packaging [pcs]
		16A/5P	32A/5P	Schuko 250V	C16/1	C16/3	C32/3			
EDS4H 2-2/2-5 16	004483120	2		2	1	1		44	0,5	1
EDS4H 2-2/2-5 32	004483121		2	2	1		1	44	0,5	1
EDS4H 2-2/2-5 16/32	004483122	1	1*	2	1	1		44	0,5	1

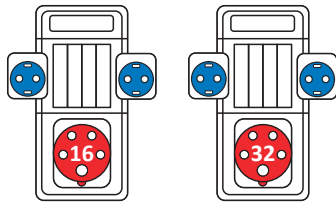
\*Socket 32A/5P - protected with 16A MCB!

## Distribution boxes EDS

### Technical data

Degree of protection	IP 44, IP 54
Nominal current	16 A, 32 A / 5P
Nominal voltage	250 V
Products do not contain substances banned under Rohs directive	

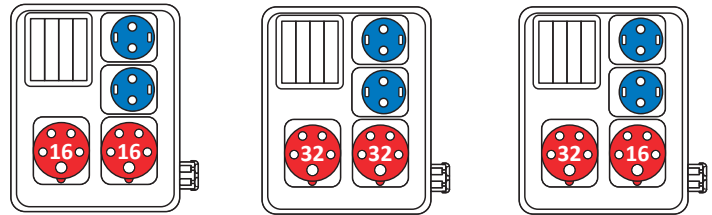
#### EDS 4 mini



EDS4m 2-2/1-5 16

EDS4m 2-2/1-5 32

#### EDS 4

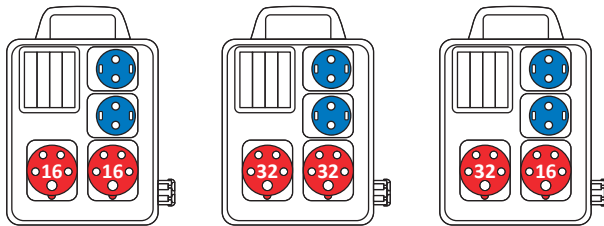


EDS4 2-2/2-5 16

EDS4 2-2/2-5 32

EDS4 2-2/2-5 16/32

#### EDS 4H

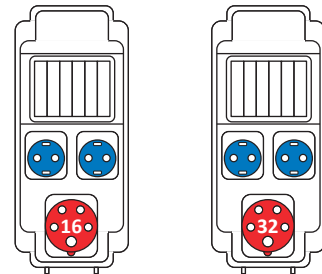


EDS4H 2-2/2-5 16

EDS4H 2-2/2-5 32

EDS4H 2-2/2-5 16/32

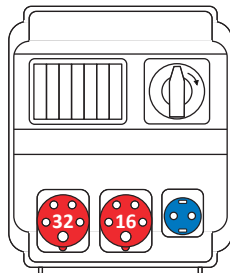
#### EDS 5



EDS5 2-2/1-5 16

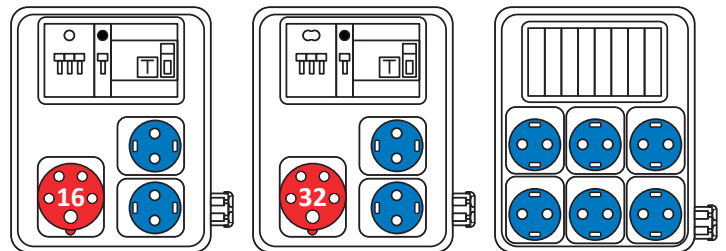
EDS5 2-2/1-5 32

#### EDS 7



EDS7 1-2/2-5 16/32

#### EDS 8

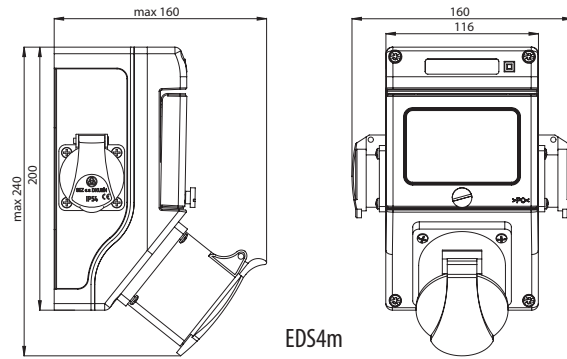


EDS8 2-2/1-5 16

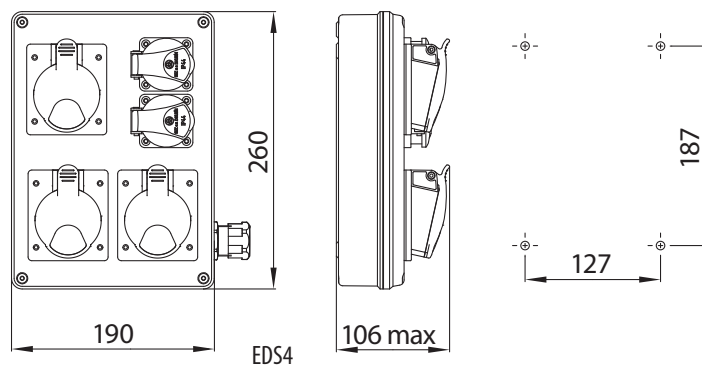
EDS8 2-2/1-5 32

EDS8 6-2/0-0 16

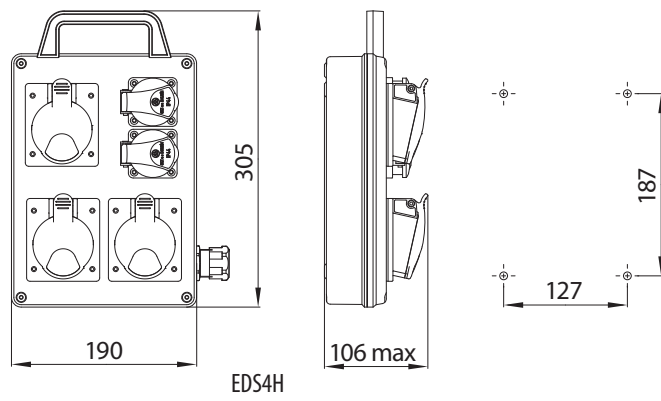
**Dimensions**



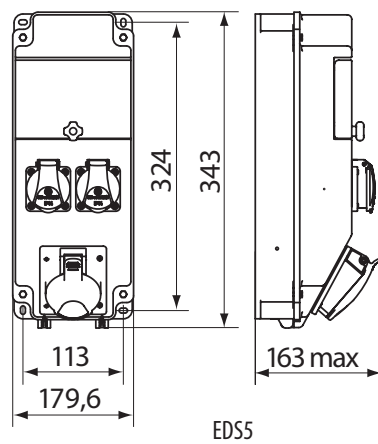
EDS4m



EDS4



EDS4H



EDS5