

Accessories



Adapters				
Type	Code No.	Description	Weight [kg]	Packaging [pcs]
EA-1653/43	004482116	5p/4p	0,284	9
EA-3253/43	004482117	5p/4p	0,457	6
EA-1653/43-0	004482118	5p/4p, phase reverse	0,284	9
EA-3253/43-0	004482119	5p/4p, phase reverse	0,47	6
EA 16-32/4	004482120	4p	0,343	8
EA 16-32/5	004482121	5p	0,386	8
EA 16-32/5-0	004482122	16A/32A 5p, phase reverse	0,386	8



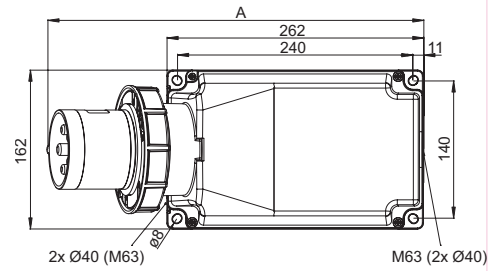
Built-in sockets schuko				
Type	Code No.	Description	Weight [kg]	Packaging [pcs]
EE 16S	004482124	IP54	0,043	12
EEH 16S	004482126	250V/16A IP67	0,079	12



Unischuko plug				
Type	Code No.	Description	Weight [kg]	Packaging [pcs]
EEVG 16	004482127	IP67	0,12	14

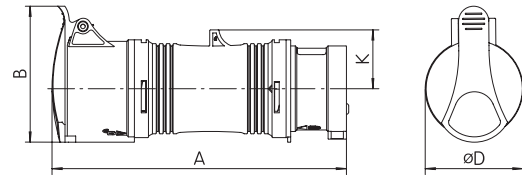
Wall plugs IP67

Type \ (mm)	A	B=height
EPH 12543	387	209
EPH 12553	387	209



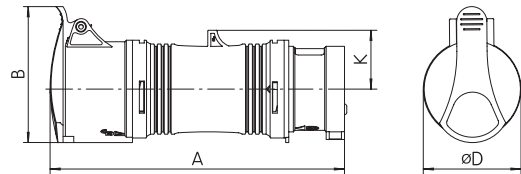
Adapters

Type \ (mm)	A	B	ØD	K
EA 1653/43	180	82	64	39
EA 3253/43	235	96	73	45



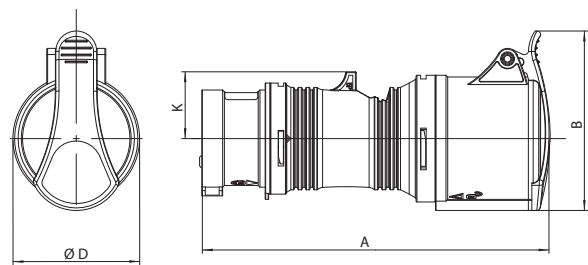
Adapters

Type \ (mm)	A	B	ØD	K
EA 1653/43-0	180	82	64	39
EA 3253/43-0	235	96	73	45



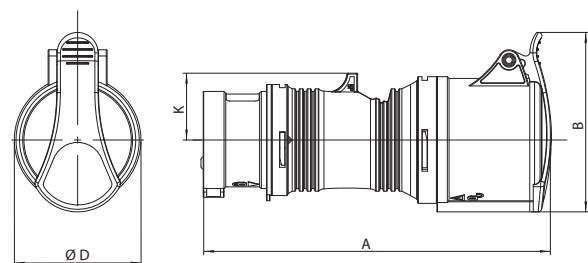
Adapters

Type \ (mm)	A	B	ØD	K
EA 16-32/4	198	96	65	34
EA 16-32/5	200	103	73	37



Adapters

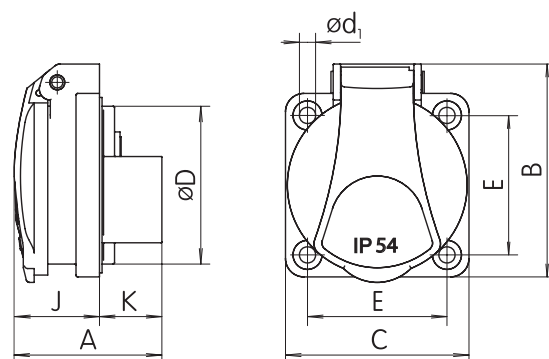
Type \ (mm)	A	B	ØD	K
EA 16-32/5	200	103	73	37



Technical data

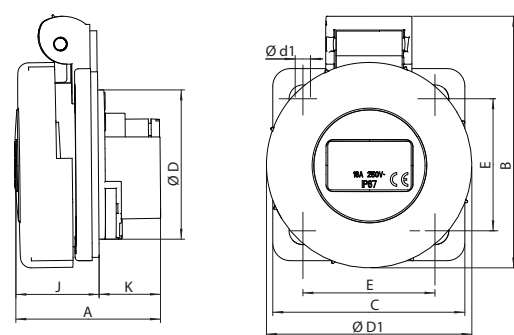
Built-in sockets schuko

Type \ (mm)	A	B	C	ØD	Ød1	E	J	K
EE 16 S	43	59,5	50	43	4,5	38	26	17



Built-in sockets schuko

Type \ (mm)	A	B	C	ØD	Ød1	E	J	K	ØD1
EEH 16 C	42	73	55	43	4,5	38	24	18	60
EEH 16 S	48	73	55	43	4,5	38	24	24	60



Unischuko plug IP67

Type

EEVG 16 - Unischuko plug IP67

