

Distribution boxes EDS

EDS 5

Type	Code No.	Sockets applied			Circuit breakers			Degree of protection IP	Weight [kg]	Packaging [pcs]
		16A/5P	32A/5P	Schuko 250V	C16/1	C16/3	C32/3			
EDS5 2-2/1-5 16	004483150	1		2	2	1		54	0,7	1
EDS5 2-2/1-5 32	004483151		1	2	2		1	54	0,7	1

EDS 7

Type	Code No.	Sockets applied			Circuit breakers			Degree of protection IP	Weight [kg]	Packaging [pcs]
		16A/5P	32A/5P	Schuko 250V	C16/1	C16/3	C32/3			
EDS7 1-2/2-5 16/32	004483200	1	1	1	1	1	1	54	0,9	1

EDS 8

Type	Code No.	Sockets applied			Circuit breakers			Degree of protection IP	Weight [kg]	Packaging [pcs]
		16A/5P	32A/5P	Schuko 250V	C16/1	C16/3	C32/3			
EDS8 2-2/1-5 16	004483250	1		2	1	1		44	1	1
EDS8 2-2/1-5 32	004483251		1	2	1		1	44	1	1
EDS8 6-2/0-0 16 *RCD or switch	004483252			6	6			44	1	1

EDS 8H with handle

Type	Code No.	Sockets applied			Circuit breakers			Degree of protection IP	Weight [kg]	Packaging [pcs]
		16A/5P	32A/5P	Schuko 250V	C16/1	C16/3	C32/3			
EDS8H 2-2/1-5 16	004483280	1		2	1	1		44	1,2	1
EDS8H 2-2/1-5 32	004483281		1	2	1		1	44	1,2	1
EDS8H 6-2/0-0 16	004483282			6	6			44	1,2	1

*RCD or switch

EDS 11

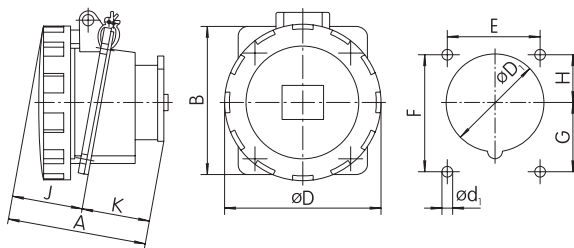
Type	Code No.	Sockets applied			Circuit breakers			Degree of protection IP	Weight [kg]	Packaging [pcs]
		16A/5P	32A/5P	Schuko 250V	C16/1	C16/3	C32/3			
EDS11 4-2/2-5 16*	004483300	2		4	4	2		54	2	1
EDS11 4-2/2-5 32*	004483301		2	4	4		2	54	2	1
EDS11 4-2/2-5 16/32*	004483302	1	1	4	4	1	1	54	2	1
EDS11 4-5 16*	004483303	4				3		54	2	1
EDS11 4-5 32*	004483304		4				3	54	2	1
EDS11 4-5 16/32*	004483305	2	2			1	2	54	2	1
EDS11 2-2/3-5 16/32	004483306	2	1	2	2	2	1	54	2	1
EDS11 2-2/3-5 32/16	004483307	1	2	2	2	1	2	54	2	1
EDS11 7-2 16*	004483308			7	7			54	2	1

*RCD or switch



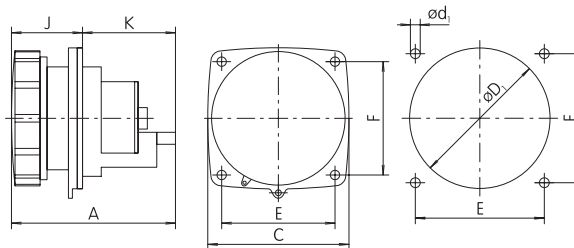
Built-in sockets IP67

Type \ (mm)	A	B	øD	øD1	ød1	E	F	G	H	J	K
EEH 1632	78	85	75	56	5,5	60	60	30	30	39	39
EEH 1643	80	85	78	62	5,5	60	60	31	29	41	39
EEH 1653	81	85	87	65	5,5	60	60	31	29	42	39
EEH 3232	89	95	92,5	68	5,5	60	70	38	32	47	42
EEH 3243	89	95	92,5	68	5,5	60	70	38	32	47	42
EEH 3253	91	95	100	74	5,5	60	70	36	34	49	42



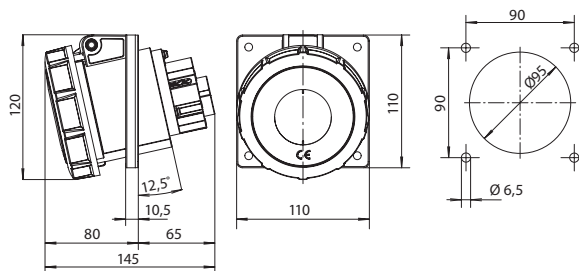
Built-in sockets IP67

Type \ (mm)	A	C	ød1	øD1	E	F	J	K
EEH 634x	131	111	6,8	93	90	90	52	79



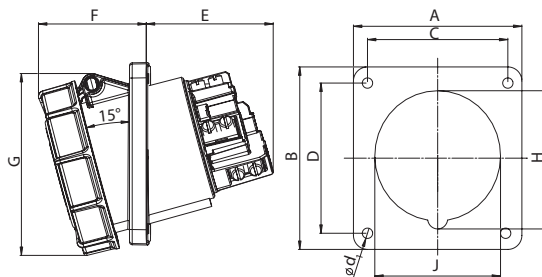
Built-in sockets IP67

EEH 6353



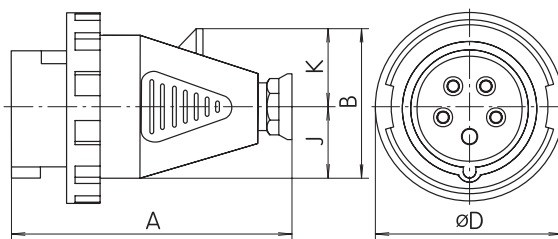
Built-in sockets IP67

Type \ (mm)	A	B	C	D	E	F	G	H	J	ød1
EEH 12543-p	114	114	90	90	92	77	130	102	90	7
EEH 12553-p	114	114	90	90	92	77	130	102	90	7



Plugs IP67

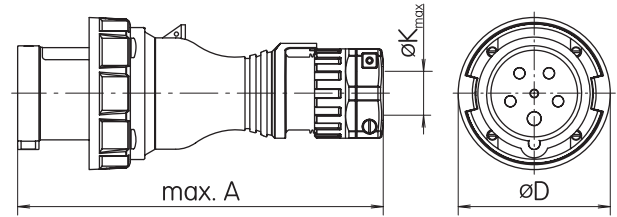
Type \ (mm)	A	øD	J	K	Pg
EVH 1632	123	70	28,5	31	P16
EVH 1643	129	78	32,5	35	P16
EVH 1653	129	87	32,5	39	P16
EVH 3232	154	92,5	36	41	P21
EVH 3243	154	92,5	36	41	P21
EVH 3253	154	100	36	46	P21
EVH 6343	224	113	195	-	P29



Technical data

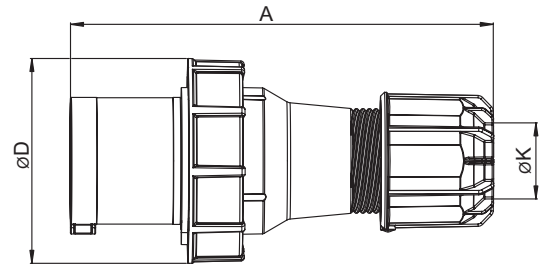
Plugs IP67

Type \ (mm)	A	øD	øK
EVH 6353	265	110	32



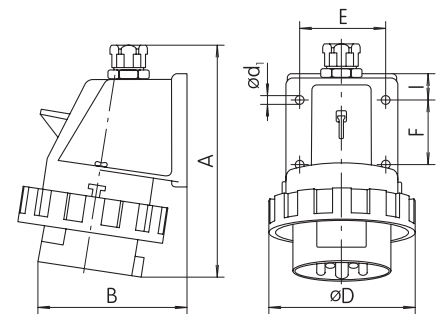
Plugs IP67

Type \ (mm)	A	øD	øK
EVH 12543	270	131	22,5-50
EVH 12553	270	131	22,5-50



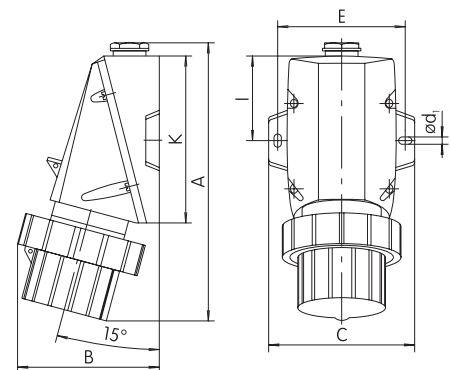
Wall plugs IP67

Type \ (mm)	A	B	ød1	øD	E	F	I	Pg
EPH 1632	140	74	4,8	70	45	30	15	P16
EPH 1643	143	92	5,2	78	50	30	18	P16
EPH 1653	143	98	5,2	87	50	30	18	P16
EPH 3243	165	108	5,2	92,5	58	40	20	P21
EPH 3253	165	113	5,2	100	58	40	20	P21



Wall plugs IP67

Type \ (mm)	A	B	C	D1	E	I	K	Pg
EPH 6343	260	122	103	7	91,5	72,2	144,5	P29
EPH 6345	260	122	103	7	91,5	72,2	144,5	P29



Wall plugs IP67

Type \ (mm)	A	B	C	ød1	E1	E2	F	K
EPH 6353	280	130	140	6,5	90	125	155	35

