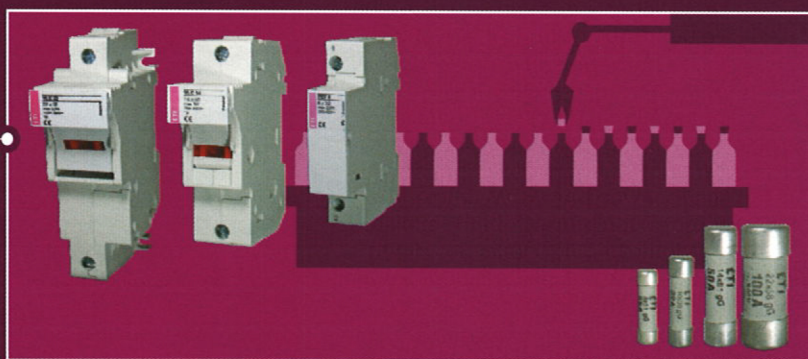


INDUSTRIAL INSTALLATIONS

High-quality protection of installations and devices in industry is ensured by wide selection of fuse-links and circuit breakers. Particularly important is the wide range of NV/NH fuse-links and switchgear combinations, i.e. fuse blocks and switch disconnectors. We also offer MCB's and power circuit breakers ETIBREAK. And not to forget ETICON contactors, plug-in outfit and line-up terminals SPOJ and overvoltage protection devices ETITEC. As well we can not provide solutions without switch disconnectors ETISWITCH and actuators and indicators ETISIG. The products are internationally certified and carry several quality marks.



INDUSTRY

Low voltage NH knife-blade fuse-links

NV/NH 2 KOMBI gG

Rated current [A]	Code No.			Korrosionsfest ~ 400V 120 kA	Weight [g]	Packaging [pcs]
	~ 400V 120 kA	~ 500V 120 kA	~ 690V 100 kA			
280	004185120	004185220	004185320	004185137	500	3/15
300	004185121	004185221	004185321	004185138	500	3/15
315	004185122	004185222	004185322	004185139	500	3/15
355	004185123	004185223		004185140	500	3/15
400	004185124	004185224		004185141	500	3/15

NV/NH 2 I KOMBI gG*

Rated current [A]	Code No.			Weight [g]	Packaging [pcs]
	~ 400V 120 kA	~ 500V 120 kA	~ 690V 100 kA		
280	004195120	004195220	004195320	500	3/15
300	004195121	004195221	004195321	500	3/15
315	004195122	004195222	004195322	500	3/15
355	004195123	004195223		500	3/15
400	004195124	004195224		500	3/15

* INSULATED

NV/NH 2 gG with striker pin

Rated current [A]	Code No.	Weight [g]	Packaging [pcs]
	~ 690 V 100 kA		
160	004114345	593	3
200	004114346	593	3
224	004114347	593	3
250	004114348	593	3
300	004114349	593	3
315	004114350	593	3

NV/NH 3 C KOMBI gG

Rated current [A]	Code No.			Korrosionsfest ~ 400V 120 kA	Weight [g]	Packaging [pcs]
	~ 400V 120 kA	~ 500V 120 kA	~ 690V 100 kA			
250	004186119	004186219	004186319	004186150	510	3/12
280	004186120	004186220	004186320		510	3/12
300	004186121	004186221	004186321	004186140	510	3/12
315	004186122	004186222	004186322	004186141	510	3/12
355	004186123	004186223		004186142	510	3/12
400	004186124	004186224		004186143	510	3/12



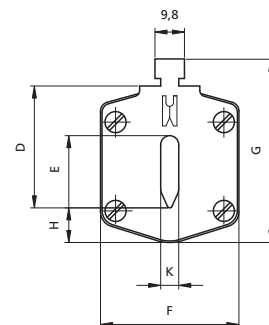
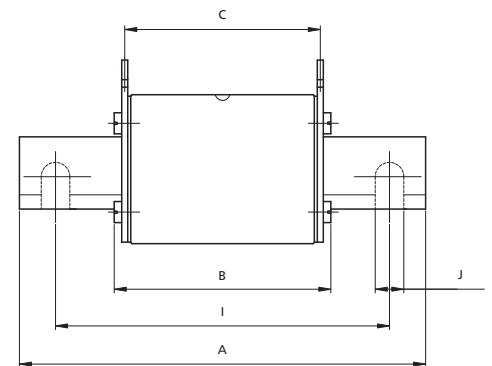
Technical data

Fuse Links NV/NH

Electrical characteristics	
Rated voltage U_n	400 V AC, 500 V AC, 690 V AC
Rated current I_n	2 - 1600 A
Breaking capacity U_n	120 kA, 100 kA, 50 kA
Melting characteristic	gG, aM, gF, gTr
Certified	DIN VDE0636-201 (1998-06)
In accordance with	IEC 60269-1:2005 / EN 60269-1:1998+A1:2005 IEC 60269-2:1986+Corr.1:1996+A11995+A2:2001 / EN 60269-2:1995+A1:1998+A2:2002 IEC 60269-2-1:2004 / HD 60269-2-1:2005
Dimensions according to	DIN43620 Part: 1 - 4
Two versions of covers	aluminium and plastic

Fuse Links NV/NH gG Dimensions

Type	Dimensions											
	A	B	C	D	E	F	G	H	I	J	K	
NV00C	79	53	47	35	15	21	52	7,5			6	kombi
NV00C I	79	53	47	35	15	21	52	7,5			6	kombi
NV00	79	53	47	35	15	28	56	12			6	kombi
NV00 I	79	53	47	35	15	28	56	12			6	kombi
NV0	125	68	65	35	15	28	56	12			6	kombi
NV1C	135	68	65	40	15	28	61	12			6	kombi
NV1C I	135	68	65	40	15	28	61	12			6	kombi
NV1	135	72	65	40	20	46	65	14			6	kombi
NV1 I	135	72	65	40	20	46	65	14			6	kombi
NV2C	150	72	65	48	20	46	73	14			6	kombi
NV2C I	150	72	65	48	20	46	73	14			6	kombi
NV2	150	72	65	48	26	54	73	14			6	kombi
NV2 I	150	72	65	48	26	54	73	14			6	kombi
NV3C	150	72	65	60	26	54	84	14			6	kombi
NV3	150	72	65	60	33	65	84	14			6	kombi
NV4	200	75	66	87	50	100	121	24	150	16	8	
NV4a	200	99	87	85	50	95	121	27			6	
NV4a SI*	200	99	87	85	50	95	121	27			6	



Fuse Links NV/NH gG with Striker Pin Dimensions

Type	Dimensions			
	K	L	M	S1
00C	0	20.7	16.7	7.5
00	0	20.7	16.7	7.5
1	13.7	19.7	25	12
2	16.2	27.4	25	12
3	17	35.6	25	12
4a	24	49	25	12

