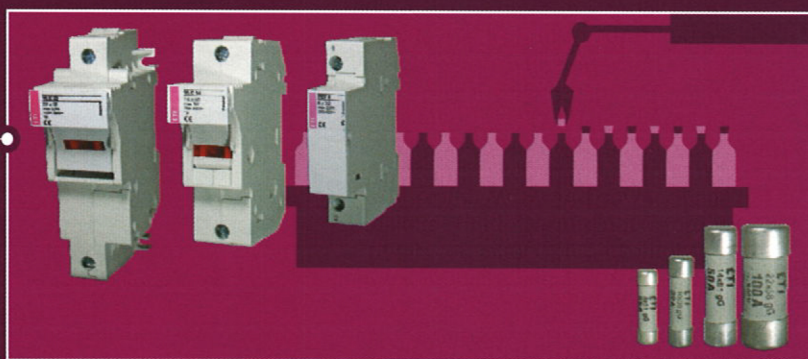


## INDUSTRIAL INSTALLATIONS

High-quality protection of installations and devices in industry is ensured by wide selection of fuse-links and circuit breakers. Particularly important is the wide range of NV/NH fuse-links and switchgear combinations, i.e. fuse blocks and switch disconnectors. We also offer MCB's and power circuit breakers ETIBREAK. And not to forget ETICON contactors, plug-in outfit and line-up terminals SPOJ and overvoltage protection devices ETITEC. As well we can not provide solutions without switch disconnectors ETISWITCH and actuators and indicators ETISIG. The products are internationally certified and carry several quality marks.



INDUSTRY



NV/NH 1 gG with striker pin			
Rated current [A]	Code No. ~ 690 V 100 kA	Weight [g]	Packaging [pcs]
63	004113340	452	3
80	004113341	452	3
100	004113342	452	3
125	004113343	452	3
160	004113344	452	3
200	004113345	452	3
224	004113346	452	3
250	004113347	452	3

NV/NH 2 C KOMBI gG						
Rated current [A]	Code No.			Korrosionsfest	Weight [g]	Packaging [pcs]
	~ 400V 120 kA	~ 500V 120 kA	~ 690V 100 kA	~ 400V 120 kA		
63	004185112	004185212	004185312	004185144	430	3/15
80	004185113	004185213	004185313	004185145	430	3/15
100	004185114	004185214	004185314	004185146	430	3/15
125	004185115	004185215	004185315	004185147	430	3/15
160	004185116	004185216	004185316	004185133	430	3/15
200	004185117	004185217	004185317	004185134	430	3/15
224	004185118	004185218	004185318	004185135	430	3/15
250	004185119	004185219	004185319	004185136	430	3/15



NV/NH 2 CI KOMBI gG*					
Rated current [A]	Code No.			Weight [g]	Packaging [pcs]
	~ 400V 120 kA	~ 500V 120 kA	~ 690V 100 kA		
63	004195112	004195212	004195312	430	3/15
80	004195113	004195213	004195313	430	3/15
100	004195114	004195214	004195314	430	3/15
125	004195115	004195215	004195315	430	3/15
160	004195116	004195216	004195316	430	3/15
200	004195117	004195217	004195317	430	3/15
224	004195118	004195218	004195318	430	3/15
250	004195119	004195219	004195319	430	3/15

\* INSULATED

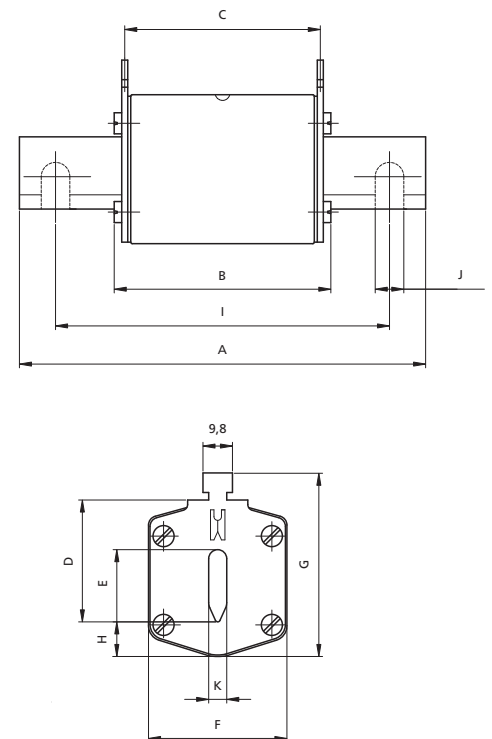
Technical data

## Fuse Links NV/NH

Electrical characteristics	
Rated voltage $U_n$	400 V AC, 500 V AC, 690 V AC
Rated current $I_n$	2 - 1600 A
Breaking capacity $U_n$	120 kA, 100 kA, 50 kA
Melting characteristic	gG, aM, gF, gTr
Certified	DIN VDE0636-201 (1998-06)
In accordance with	IEC 60269-1:2005 / EN 60269-1:1998+A1:2005 IEC 60269-2:1986+Corr.1:1996+A11995+A2:2001 / EN 60269-2:1995+A1:1998+A2:2002 IEC 60269-2-1:2004 / HD 60269-2-1:2005
Dimensions according to	DIN43620 Part: 1 - 4
Two versions of covers	aluminium and plastic

## Fuse Links NV/NH gG Dimensions

Type	Dimensions											
	A	B	C	D	E	F	G	H	I	J	K	
NV00C	79	53	47	35	15	21	52	7,5			6	kombi
NV00C I	79	53	47	35	15	21	52	7,5			6	kombi
NV00	79	53	47	35	15	28	56	12			6	kombi
NV00 I	79	53	47	35	15	28	56	12			6	kombi
NV0	125	68	65	35	15	28	56	12			6	kombi
NV1C	135	68	65	40	15	28	61	12			6	kombi
NV1C I	135	68	65	40	15	28	61	12			6	kombi
NV1	135	72	65	40	20	46	65	14			6	kombi
NV1 I	135	72	65	40	20	46	65	14			6	kombi
NV2C	150	72	65	48	20	46	73	14			6	kombi
NV2C I	150	72	65	48	20	46	73	14			6	kombi
NV2	150	72	65	48	26	54	73	14			6	kombi
NV2 I	150	72	65	48	26	54	73	14			6	kombi
NV3C	150	72	65	60	26	54	84	14			6	kombi
NV3	150	72	65	60	33	65	84	14			6	kombi
NV4	200	75	66	87	50	100	121	24	150	16	8	
NV4a	200	99	87	85	50	95	121	27			6	
NV4a SI*	200	99	87	85	50	95	121	27			6	



## Fuse Links NV/NH gG with Striker Pin Dimensions

Type	Dimensions			
	K	L	M	S1
00C	0	20.7	16.7	7.5
00	0	20.7	16.7	7.5
1	13.7	19.7	25	12
2	16.2	27.4	25	12
3	17	35.6	25	12
4a	24	49	25	12

