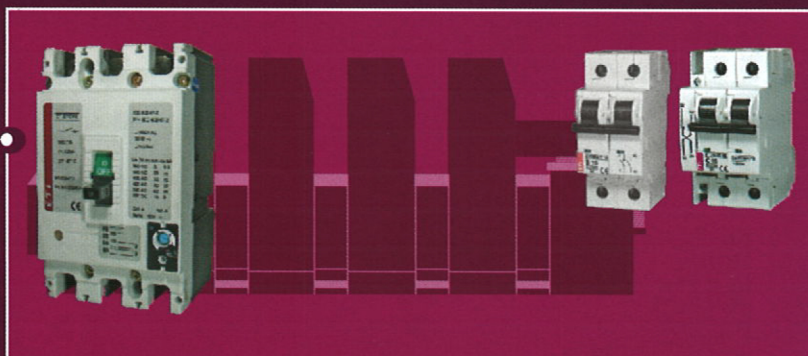
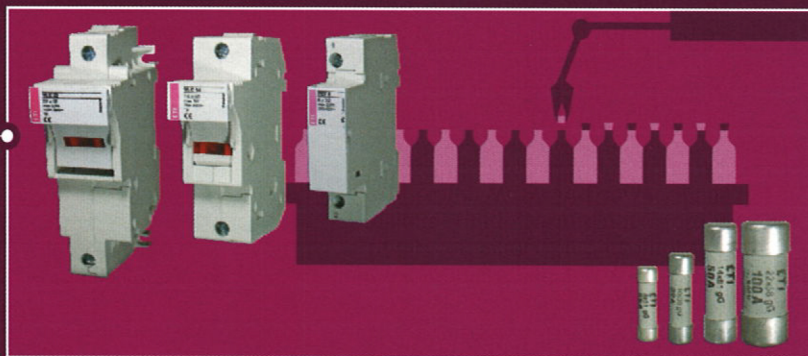


## INDUSTRIAL INSTALLATIONS

High-quality protection of installations and devices in industry is ensured by wide selection of fuse-links and circuit breakers. Particularly important is the wide range of NV/NH fuse-links and switchgear combinations, i.e. fuse blocks and switch disconnectors. We also offer MCB's and power circuit breakers ETIBREAK. And not to forget ETICON contactors, plug-in outfit and line-up terminals SPOJ and overvoltage protection devices ETITEC. As well we can not provide solutions without switch disconnectors ETISWITCH and actuators and indicators ETISIG. The products are internationally certified and carry several quality marks.



INDUSTRY

## Low voltage NH knife-blade fuse-links

### NV/NH 1C I KOMBI gG\*

Rated current [A]	Code No.			Weight [g]	Packaging [pcs]
	~ 400V 120 kA	~ 500V 120 kA	~ 690V 100 kA		
25	004194107	004194207	004194307	233	3/45
32	004194108	004194208	004194308	233	3/45
35	004194109	004194209	004194309	233	3/45
40	004194110	004194210	004194310	233	3/45
50	004194111	004194211	004194311	233	3/45
63	004194112	004194212	004194312	233	3/45
80	004194113	004194213	004194313	233	3/45
100	004194114	004194214	004194314	233	3/45
125	004194115	004194215	004194315	233	3/45
160	004194116	004194216		233	3/45

\* INSULATED

### NV/NH 1 KOMBI gG

Rated current [A]	Code No.			Korrosionsfest ~ 400V 120 kA	Weight [g]	Packaging [pcs]
	~ 400V 120 kA	~ 500V 120 kA	~ 690V 100 kA			
63	004184120	004184220	004184320		430	3/24
80	004184121	004184221	004184321		430	3/24
100	004184122	004184222	004184322		430	3/24
125	004184123	004184223	004184323		430	3/24
160	004184124	004184224	004184324		430	3/24
200	004184117	004184217	004184317	004184135	430	3/24
224	004184118	004184218	004184318	004184136	430	3/24
250	004184119	004184219	004184319	004184137	430	3/24

### NV/NH 1 I KOMBI gG\*

Rated current [A]	Code No.			Weight [g]	Packaging [pcs]
	~ 400V 120 kA	~ 500V 120 kA	~ 690V 100 kA		
63	004194120	004194220	004194320	430	3/24
80	004194121	004194221	004194321	430	3/24
100	004194122	004194222	004194322	430	3/24
125	004194123	004194223	004194323	430	3/24
160	004194124	004194224	004194324	430	3/24
200	004194117	004194217	004194317	430	3/24
224	004194118	004194218	004194318	430	3/24
250	004194119	004194219	004194319	430	3/24

\* INSULATED





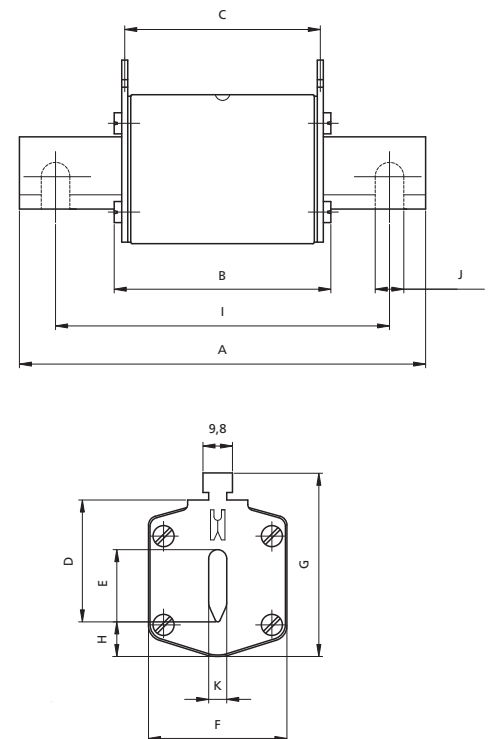
Technical data

## Fuse Links NV/NH

Electrical characteristics	
Rated voltage $U_n$	400 V AC, 500 V AC, 690 V AC
Rated current $I_n$	2 - 1600 A
Breaking capacity $U_n$	120 kA, 100 kA, 50 kA
Melting characteristic	gG, aM, gF, gTr
Certified	DIN VDE0636-201 (1998-06)
In accordance with	IEC 60269-1:2005 / EN 60269-1:1998+A1:2005 IEC 60269-2:1986+Corr.1:1996+A11995+A2:2001 / EN 60269-2:1995+A1:1998+A2:2002 IEC 60269-2-1:2004 / HD 60269-2-1:2005
Dimensions according to	DIN43620 Part: 1 - 4
Two versions of covers	aluminium and plastic

## Fuse Links NV/NH gG Dimensions

Type	Dimensions											
	A	B	C	D	E	F	G	H	I	J	K	
NV00C	79	53	47	35	15	21	52	7,5			6	kombi
NV00C I	79	53	47	35	15	21	52	7,5			6	kombi
NV00	79	53	47	35	15	28	56	12			6	kombi
NV00 I	79	53	47	35	15	28	56	12			6	kombi
NV0	125	68	65	35	15	28	56	12			6	kombi
NV1C	135	68	65	40	15	28	61	12			6	kombi
NV1C I	135	68	65	40	15	28	61	12			6	kombi
NV1	135	72	65	40	20	46	65	14			6	kombi
NV1 I	135	72	65	40	20	46	65	14			6	kombi
NV2C	150	72	65	48	20	46	73	14			6	kombi
NV2C I	150	72	65	48	20	46	73	14			6	kombi
NV2	150	72	65	48	26	54	73	14			6	kombi
NV2 I	150	72	65	48	26	54	73	14			6	kombi
NV3C	150	72	65	60	26	54	84	14			6	kombi
NV3	150	72	65	60	33	65	84	14			6	kombi
NV4	200	75	66	87	50	100	121	24	150	16	8	
NV4a	200	99	87	85	50	95	121	27			6	
NV4a SI*	200	99	87	85	50	95	121	27			6	



## Fuse Links NV/NH gG with Striker Pin Dimensions

Type	Dimensions			
	K	L	M	S1
00C	0	20.7	16.7	7.5
00	0	20.7	16.7	7.5
1	13.7	19.7	25	12
2	16.2	27.4	25	12
3	17	35.6	25	12
4a	24	49	25	12

