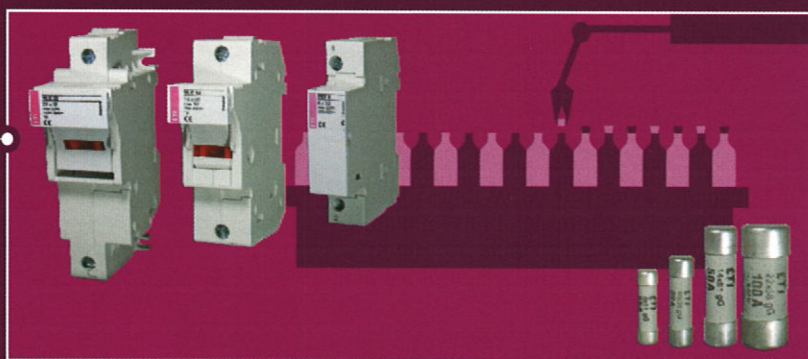


INDUSTRIAL INSTALLATIONS

High-quality protection of installations and devices in industry is ensured by wide selection of fuse-links and circuit breakers. Particularly important is the wide range of NV/NH fuse-links and switchgear combinations, i.e. fuse blocks and switch disconnectors. We also offer MCB's and power circuit breakers ETIBREAK. And not to forget ETICON contactors, plug-in outfit and line-up terminals SPOJ and overvoltage protection devices ETITEC. As well we can not provide solutions without switch disconnectors ETISWITCH and actuators and indicators ETISIG. The products are internationally certified and carry several quality marks.



INDUSTRY

Low voltage NH knife-blade fuse-links

NV/NH 00 CI KOMBI gG*

Rated current [A]	Code No.			Weight [g]	Packaging [pcs]
	~ 400V 100 kA	~ 500V 120 kA	~ 690V 100 kA		
2	004191101	004191201	004191301	125	3/120
4	004191102	004191202	004191302	125	3/120
6	004191103	004191203	004191303	125	3/120
10	004191104	004191204	004191304	125	3/120
16	004191105	004191205	004191305	125	3/120
20	004191106	004191206	004191306	125	3/120
25	004191107	004191207	004191307	125	3/120
32	004191108	004191208	004191308	125	3/120
35	004191109	004191209	004191309	125	3/120
40	004191110	004191210	004191310	125	3/120
50	004191111	004191211	004191311	125	3/120
63	004191112	004191212		125	3/120
80	004191113	004191213		125	3/120
100	004191114	004191214		125	3/120
125				125	3/120
160				125	3/120

* INSULATED

NV/NH 00 C gG with striker pin

Rated current [A]	Code No. ~ 690 V 100 kA	Weight [g]	Packaging [pcs]
2	004111172	135	3
4	004111173	135	3
6	004111174	135	3
10	004111175	135	3
16	004111176	135	3
20	004111177	135	3
25	004111178	135	3
32	004111179	135	3
35	004111180	135	3
40	004111181	135	3

NV/NH 00 KOMBI gG

Rated current [A]	Code No.			Korrosionsfest ~ 400V 120 kA	Weight [g]	Packaging [pcs]
	~ 400V 120 kA	~ 500V 120 kA	~ 690V 100 kA			
63			004182312		173	3/90
80			004182313		173	3/90
100			004182314		173	3/90
125	004182115	004182215	004182315	004182118	173	3/90
160	004182116	004182216		004182119	173	3/90

NV/NH 00 I KOMBI gG*

Rated current [A]	Code No.			Weight [g]	Packaging [pcs]
	~ 400V 120 kA	~ 500V 120 kA	~ 690V 100 kA		
63			004192312	173	3/90
80			004192313	173	3/90
100			004192314	173	3/90
125	004192115	004192215	004192315	173	3/90
160	004192116	004192216		173	3/90

* INSULATED



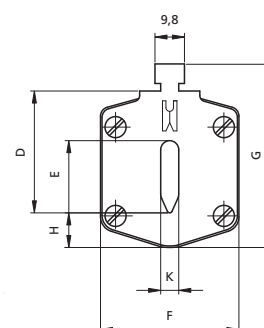
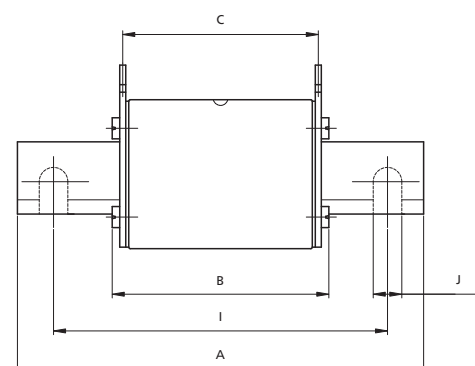
Technical data

Fuse Links NV/NH

Electrical characteristics	
Rated voltage U_n	400 V AC, 500 V AC, 690 V AC
Rated current I_n	2 - 1600 A
Breaking capacity U_n	120 kA, 100 kA, 50 kA
Melting characteristic	gG, aM, gF, gTr
Certified	DIN VDE0636-201 (1998-06)
In accordance with	IEC 60269-1:2005 / EN 60269-1:1998+A1:2005 IEC 60269-2:1986+Corr.1:1996+A11995+A2:2001 / EN 60269-2:1995+A1:1998+A2:2002 IEC 60269-2-1:2004 / HD 60269-2-1:2005
Dimensions according to	DIN43620 Part: 1 - 4
Two versions of covers	aluminium and plastic

Fuse Links NV/NH gG Dimensions

Type	Dimensions											
	A	B	C	D	E	F	G	H	I	J	K	
NV00C	79	53	47	35	15	21	52	7,5			6	kombi
NV00C I	79	53	47	35	15	21	52	7,5			6	kombi
NV00	79	53	47	35	15	28	56	12			6	kombi
NV00 I	79	53	47	35	15	28	56	12			6	kombi
NV0	125	68	65	35	15	28	56	12			6	kombi
NV1C	135	68	65	40	15	28	61	12			6	kombi
NV1C I	135	68	65	40	15	28	61	12			6	kombi
NV1	135	72	65	40	20	46	65	14			6	kombi
NV1 I	135	72	65	40	20	46	65	14			6	kombi
NV2C	150	72	65	48	20	46	73	14			6	kombi
NV2C I	150	72	65	48	20	46	73	14			6	kombi
NV2	150	72	65	48	26	54	73	14			6	kombi
NV2 I	150	72	65	48	26	54	73	14			6	kombi
NV3C	150	72	65	60	26	54	84	14			6	kombi
NV3	150	72	65	60	33	65	84	14			6	kombi
NV4	200	75	66	87	50	100	121	24	150	16	8	
NV4a	200	99	87	85	50	95	121	27			6	
NV4a SI*	200	99	87	85	50	95	121	27			6	



Fuse Links NV/NH gG with Striker Pin Dimensions

Type	Dimensions			
	K	L	M	S1
00C	0	20.7	16.7	7.5
00	0	20.7	16.7	7.5
1	13.7	19.7	25	12
2	16.2	27.4	25	12
3	17	35.6	25	12
4a	24	49	25	12

