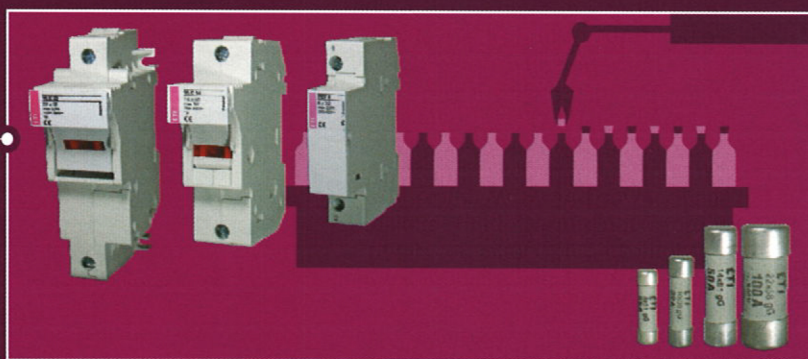


INDUSTRIAL INSTALLATIONS

High-quality protection of installations and devices in industry is ensured by wide selection of fuse-links and circuit breakers. Particularly important is the wide range of NV/NH fuse-links and switchgear combinations, i.e. fuse blocks and switch disconnectors. We also offer MCB's and power circuit breakers ETIBREAK. And not to forget ETICON contactors, plug-in outfit and line-up terminals SPOJ and overvoltage protection devices ETITEC. As well we can not provide solutions without switch disconnectors ETISWITCH and actuators and indicators ETISIG. The products are internationally certified and carry several quality marks.



INDUSTRY



NV/NH 3 KOMBI gG

Rated current [A]	Code No.			Korrosionsfest ~ 400V 120 kA	Weight [g]	Packaging [pcs]
	~ 400V 120 kA	~ 500V 120 kA	~ 690V 100 kA			
355			004186328		923	3/12
400			004186329		923	3/12
425	004186130	004186230	004186330	004186144	923	3/12
500	004186131	004186231	004186331	004186145	923	3/12
560	004186132	004186232			923	3/12
630	004186133	004186233		004186147	923	3/12

NV/NH 3 I KOMBI gG*

Rated current [A]	Code No.			Weight [g]	Packaging [pcs]
	~ 400V 120 kA	~ 500V 120 kA	~ 690V 100 kA		
200	004196123	004196223	004196323	923	3/12
224	004196124	004196224	004196324	923	3/12
250	004196125	004196225	004196325	923	3/12
300	004196126	004196226	004196326	923	3/12
315	004196127	004196227	004196327	923	3/12
355	004196128	004196228	004196328	923	3/12
400	004196129	004196229	004196329	923	3/12
425	004196130	004196230	004196330	923	3/12
500	004196131	004196231	004196331	923	3/12
560	004196132	004196232		923	3/12
630	004196133	004196233		923	3/12

* INSULATED



NV/NH 3 gG with striker pin

Rated current [A]	Code No. ~ 690 V 100 kA	Weight [g]	Packaging [pcs]
300	004115121	895	3
315	004115122	895	3
400	004115123	895	3
425	004115124	895	3
500	004115125	895	3

NV/NH 4 gG

Rated current [A]	Code No. ~ 500 V 120 kA	Weight [g]	Packaging [pcs]
710	004116102	2130	1/12
800	004116103	2130	1/12
900	004116105	2130	1/12
1000	004116104	2130	1/12
1250	004116106	2130	1/12



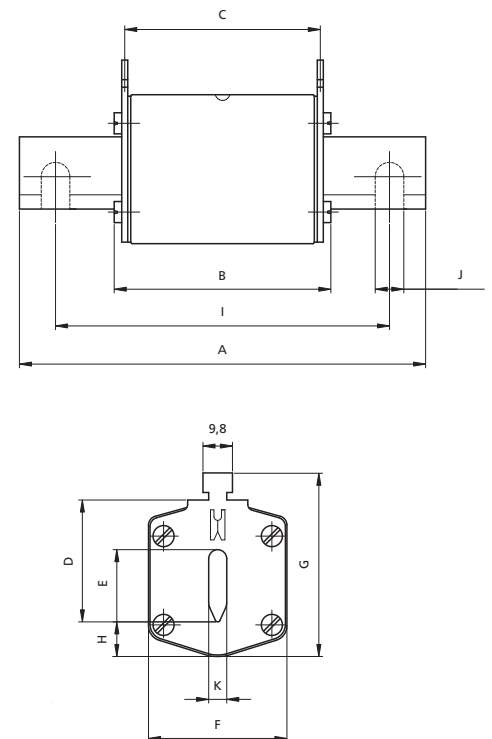
Technical data

Fuse Links NV/NH

Electrical characteristics	
Rated voltage U_n	400 V AC, 500 V AC, 690 V AC
Rated current I_n	2 - 1600 A
Breaking capacity U_n	120 kA, 100 kA, 50 kA
Melting characteristic	gG, aM, gF, gTr
Certified	DIN VDE0636-201 (1998-06)
In accordance with	IEC 60269-1:2005 / EN 60269-1:1998+A1:2005 IEC 60269-2:1986+Corr.1:1996+A11995+A2:2001 / EN 60269-2:1995+A1:1998+A2:2002 IEC 60269-2-1:2004 / HD 60269-2-1:2005
Dimensions according to	DIN43620 Part: 1 - 4
Two versions of covers	aluminium and plastic

Fuse Links NV/NH gG Dimensions

Type	Dimensions											
	A	B	C	D	E	F	G	H	I	J	K	
NV00C	79	53	47	35	15	21	52	7,5			6	kombi
NV00C I	79	53	47	35	15	21	52	7,5			6	kombi
NV00	79	53	47	35	15	28	56	12			6	kombi
NV00 I	79	53	47	35	15	28	56	12			6	kombi
NV0	125	68	65	35	15	28	56	12			6	kombi
NV1C	135	68	65	40	15	28	61	12			6	kombi
NV1C I	135	68	65	40	15	28	61	12			6	kombi
NV1	135	72	65	40	20	46	65	14			6	kombi
NV1 I	135	72	65	40	20	46	65	14			6	kombi
NV2C	150	72	65	48	20	46	73	14			6	kombi
NV2C I	150	72	65	48	20	46	73	14			6	kombi
NV2	150	72	65	48	26	54	73	14			6	kombi
NV2 I	150	72	65	48	26	54	73	14			6	kombi
NV3C	150	72	65	60	26	54	84	14			6	kombi
NV3	150	72	65	60	33	65	84	14			6	kombi
NV4	200	75	66	87	50	100	121	24	150	16	8	
NV4a	200	99	87	85	50	95	121	27			6	
NV4a SI*	200	99	87	85	50	95	121	27			6	



Fuse Links NV/NH gG with Striker Pin Dimensions

Type	Dimensions			
	K	L	M	S1
00C	0	20.7	16.7	7.5
00	0	20.7	16.7	7.5
1	13.7	19.7	25	12
2	16.2	27.4	25	12
3	17	35.6	25	12
4a	24	49	25	12

