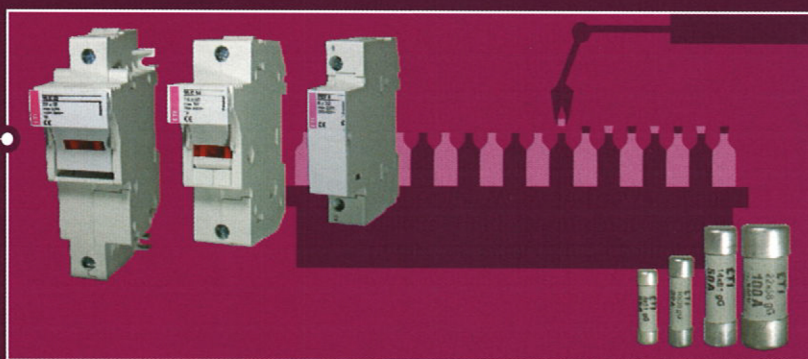


INDUSTRIAL INSTALLATIONS

High-quality protection of installations and devices in industry is ensured by wide selection of fuse-links and circuit breakers. Particularly important is the wide range of NV/NH fuse-links and switchgear combinations, i.e. fuse blocks and switch disconnectors. We also offer MCB's and power circuit breakers ETIBREAK. And not to forget ETICON contactors, plug-in outfit and line-up terminals SPOJ and overvoltage protection devices ETITEC. As well we can not provide solutions without switch disconnectors ETISWITCH and actuators and indicators ETISIG. The products are internationally certified and carry several quality marks.



INDUSTRY



NV/NH 00 gG with striker pin

Rated current [A]	Code No.		Weight [g]	Packaging [pcs]
	~ 690 V 100 kA			
50	004111182		205	3
63	004111183		205	3
80	004111184		205	3
100	004111185		205	3
125	004111186		205	3



NV/NH 0 KOMBI gG

Rated current [A]	Code No.		Weight [g]	Packaging [pcs]
	~ 500 V 120 kA	~ 690 V 100 kA		
6	004183203	004183303	226	3/45
10	004183204	004183304	226	3/45
16	004183205	004183305	226	3/45
20	004183206	004183306	226	3/45
25	004183207	004183307	226	3/45
32	004183208	004183308	226	3/45
35	004183209	004183309	226	3/45
40	004183210	004183310	226	3/45
50	004183211	004183311	226	3/45
63	004183212	004183312	226	3/45
80	004183213	004183313	226	3/45
100	004183214	004183314	226	3/45
125	004183215	004183315	226	3/45
160	004183216		226	3/45

NV/NH 1 C KOMBI gG

Rated current [A]	Code No.			Korrosionsfest ~ 400V 120 kA	Weight [g]	Packaging [pcs]
	~ 400V 120 kA	~ 500V 120 kA	~ 690V 100 kA			
25	004184107	004184207	004184307	004184131	233	3/45
32	004184108	004184208	004184308	004184130	233	3/45
35	004184109	004184209	004184309	004184129	233	3/45
40	004184110	004184210	004184310	004184128	233	3/45
50	004184111	004184211	004184311	004184127	233	3/45
63	004184112	004184212	004184312	004184138	233	3/45
80	004184113	004184213	004184313	004184139	233	3/45
100	004184114	004184214	004184314	004184132	233	3/45
125	004184115	004184215	004184315	004184133	233	3/45
160	004184116	004184216		004184134	233	3/45

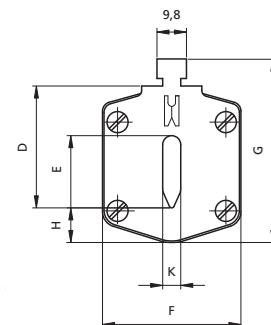
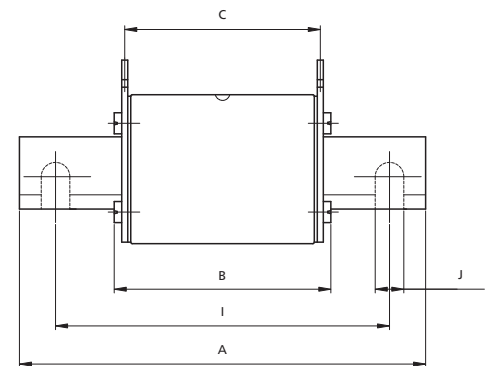
Technical data

Fuse Links NV/NH

Electrical characteristics	
Rated voltage U_n	400 V AC, 500 V AC, 690 V AC
Rated current I_n	2 - 1600 A
Breaking capacity U_n	120 kA, 100 kA, 50 kA
Melting characteristic	gG, aM, gF, gTr
Certified	DIN VDE0636-201 (1998-06)
In accordance with	IEC 60269-1:2005 / EN 60269-1:1998+A1:2005 IEC 60269-2:1986+Corr.1:1996+A11995+A2:2001 / EN 60269-2:1995+A1:1998+A2:2002 IEC 60269-2-1:2004 / HD 60269-2-1:2005
Dimensions according to	DIN43620 Part: 1 - 4
Two versions of covers	aluminium and plastic

Fuse Links NV/NH gG Dimensions

Type	Dimensions											
	A	B	C	D	E	F	G	H	I	J	K	
NV00C	79	53	47	35	15	21	52	7,5			6	kombi
NV00C I	79	53	47	35	15	21	52	7,5			6	kombi
NV00	79	53	47	35	15	28	56	12			6	kombi
NV00 I	79	53	47	35	15	28	56	12			6	kombi
NV0	125	68	65	35	15	28	56	12			6	kombi
NV1C	135	68	65	40	15	28	61	12			6	kombi
NV1C I	135	68	65	40	15	28	61	12			6	kombi
NV1	135	72	65	40	20	46	65	14			6	kombi
NV1 I	135	72	65	40	20	46	65	14			6	kombi
NV2C	150	72	65	48	20	46	73	14			6	kombi
NV2C I	150	72	65	48	20	46	73	14			6	kombi
NV2	150	72	65	48	26	54	73	14			6	kombi
NV2 I	150	72	65	48	26	54	73	14			6	kombi
NV3C	150	72	65	60	26	54	84	14			6	kombi
NV3	150	72	65	60	33	65	84	14			6	kombi
NV4	200	75	66	87	50	100	121	24	150	16	8	
NV4a	200	99	87	85	50	95	121	27			6	
NV4a SI*	200	99	87	85	50	95	121	27			6	



Fuse Links NV/NH gG with Striker Pin Dimensions

Type	Dimensions			
	K	L	M	S1
00C	0	20.7	16.7	7.5
00	0	20.7	16.7	7.5
1	13.7	19.7	25	12
2	16.2	27.4	25	12
3	17	35.6	25	12
4a	24	49	25	12

