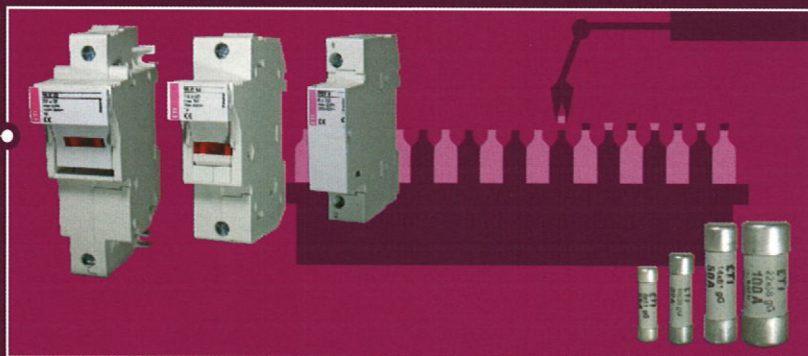


## INDUSTRIAL INSTALLATIONS

High-quality protection of installations and devices in industry is ensured by wide selection of fuse-links and circuit breakers. Particularly important is the wide range of NV/NH fuse-links and switchgear combinations, i.e. fuse blocks and switch disconnectors. We also offer MCB's and power circuit breakers ETIBREAK. And not to forget ETICON contactors, plug-in outfit and line-up terminals SPOJ and overvoltage protection devices ETITEC. As well we can not provide solutions without switch disconnectors ETISWITCH and actuators and indicators ETISIG. The products are internationally certified and carry several quality marks.



# INDUSTRY

# Low voltage NH knife-blade fuse-links

### NV/NH KOMBI advantages

ETI is introducing a new generation of low-voltage fuse-links from size NV00C up to NV3 with new, dual indication of fuse-link operation, called KOMBI. The indicator is easily visible on the top and centre of the fuse-link, whether it is situated in a standard fuse base or vertical fuse rail or in fuse-switch disconnecter.

The most important advantages of NV/NH KOMBI fuse-links:

- High breaking capacity, 120 kA (400 V gG - except NV00C and NV00CI, and 500 V gG) and 100 kA (400 V gG NV00C and NV00CI, 690 V gG, 400 V gTR, 400 V gF and 690 V aM)
- Rated voltages: 400 V a.c., 500 V a.c., 690 V a.c.
- Two versions of covers: aluminium, when the removal tag is under voltage and plastic, when insulated metal removal tag is incorporated into the plastic cover
- VDE certificates and CCA/CB test reports

### General about NV/NH fuse-links

Their dimensions correspond with DIN 43620, other technical characteristics correspond with the requirements of the following standards:

- Rated voltage 400V/500V/690V/gG: IEC 60269-1:2005 / EN 60269-1:1998+A1:2005 IEC 60269-2:1986+Corr.1:1996+A11995+A2:2001 / EN 60269-2:1995+A1:1998+A2:2002 IEC 60269-2-1:2004 / HD 60269-2-1:2005
- Rated voltage 690V/aM: VDE 0636-2011
- Rated voltage 400V/gF: PN-IEC 60269-2
- Rated voltage 400V/gTr: VDE 0636-2011

### Short description of constituent parts for NV/NH fuse-links

The body of the fuse-link is made of quality steatite which is highly resistant against temperature overloads. In the inner part of the steatite body there is a copper melting element which is welded on a specially shaped inner part of the contact knife by spot welding. By careful shaping of this part we achieved that during assembly the melting element is placed exactly into the middle of the inner place. The remaining inside place of the ceramic body is filled up with precisely determined granulation and chemical structure quartz sand. All contact knives are additionally protected with a layer of silver or on special order of nickel. On the base of cyclic tests we have proved that the fusing characteristics are very stable and the tolerance on the current axis can be up to ± 10%.

## Fuse-link NV/NH gG

Rated current **2-1600 A**    Breaking capacity **120 kA / 100 kA**    Rated voltage **400, 500, 690 V**



NV/NH 00C KOMBI gG						
Rated current [A]	Code No.			Korrosionsfest ~ 400V 100 kA	Weight [g]	Packaging [pcs]
	~ 400V 100 kA	~ 500V 120 kA	~ 690V 100 kA			
2	004181101	004181201	004181301	004181118	125	3/120
4	004181102	004181202	004181302	004181119	125	3/120
6	004181103	004181203	004181303	004181120	125	3/120
10	004181104	004181204	004181304	004181121	125	3/120
16	004181105	004181205	004181305	004181122	125	3/120
20	004181106	004181206	004181306	004181123	125	3/120
25	004181107	004181207	004181307	004181138	125	3/120
32	004181108	004181208	004181308	004181139	125	3/120
35	004181109	004181209	004181309	004181140	125	3/120
40	004181110	004181210	004181310	004181141	125	3/120
50	004181111	004181211	004181311	004181142	125	3/120
63	004181112	004181212		004181143	125	3/120
80	004181113	004181213		004181130	125	3/120
100	004181114	004181214		004181131	125	3/120
125		004181215			125	3/120
160	004181216				125	3/120

NV/NH

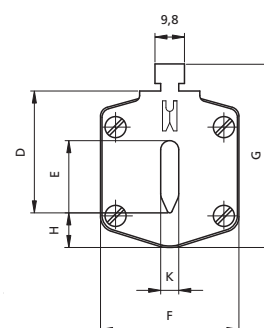
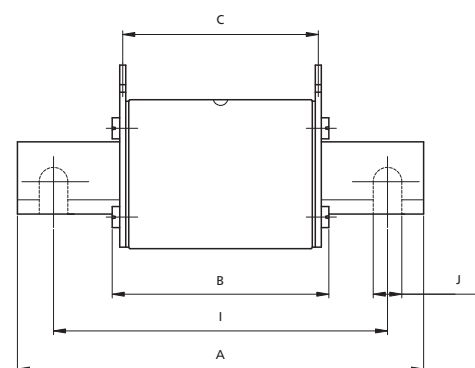
## Technical data

### Fuse Links NV/NH

Electrical characteristics	
Rated voltage $U_n$	400 V AC, 500 V AC, 690 V AC
Rated current $I_n$	2 - 1600 A
Breaking capacity $U_n$	120 kA, 100 kA, 50 kA
Melting characteristic	gG, aM, gF, gTr
Certified	DIN VDE0636-201 (1998-06)
In accordance with	IEC 60269-1:2005 / EN 60269-1:1998+A1:2005 IEC 60269-2:1986+Corr.1:1996+A11995+A2:2001 / EN 60269-2:1995+A1:1998+A2:2002 IEC 60269-2-1:2004 / HD 60269-2-1:2005
Dimensions according to	DIN43620 Part: 1 - 4
Two versions of covers	aluminium and plastic

### Fuse Links NV/NH gG Dimensions

Type	Dimensions											
	A	B	C	D	E	F	G	H	I	J	K	
NV00C	79	53	47	35	15	21	52	7,5			6	kombi
NV00C I	79	53	47	35	15	21	52	7,5			6	kombi
NV00	79	53	47	35	15	28	56	12			6	kombi
NV00 I	79	53	47	35	15	28	56	12			6	kombi
NV0	125	68	65	35	15	28	56	12			6	kombi
NV1C	135	68	65	40	15	28	61	12			6	kombi
NV1C I	135	68	65	40	15	28	61	12			6	kombi
NV1	135	72	65	40	20	46	65	14			6	kombi
NV1 I	135	72	65	40	20	46	65	14			6	kombi
NV2C	150	72	65	48	20	46	73	14			6	kombi
NV2C I	150	72	65	48	20	46	73	14			6	kombi
NV2	150	72	65	48	26	54	73	14			6	kombi
NV2 I	150	72	65	48	26	54	73	14			6	kombi
NV3C	150	72	65	60	26	54	84	14			6	kombi
NV3	150	72	65	60	33	65	84	14			6	kombi
NV4	200	75	66	87	50	100	121	24	150	16	8	
NV4a	200	99	87	85	50	95	121	27			6	
NV4a SI*	200	99	87	85	50	95	121	27			6	



### Fuse Links NV/NH gG with Striker Pin Dimensions

Type	Dimensions			
	K	L	M	S1
00C	0	20.7	16.7	7.5
00	0	20.7	16.7	7.5
1	13.7	19.7	25	12
2	16.2	27.4	25	12
3	17	35.6	25	12
4a	24	49	25	12

