

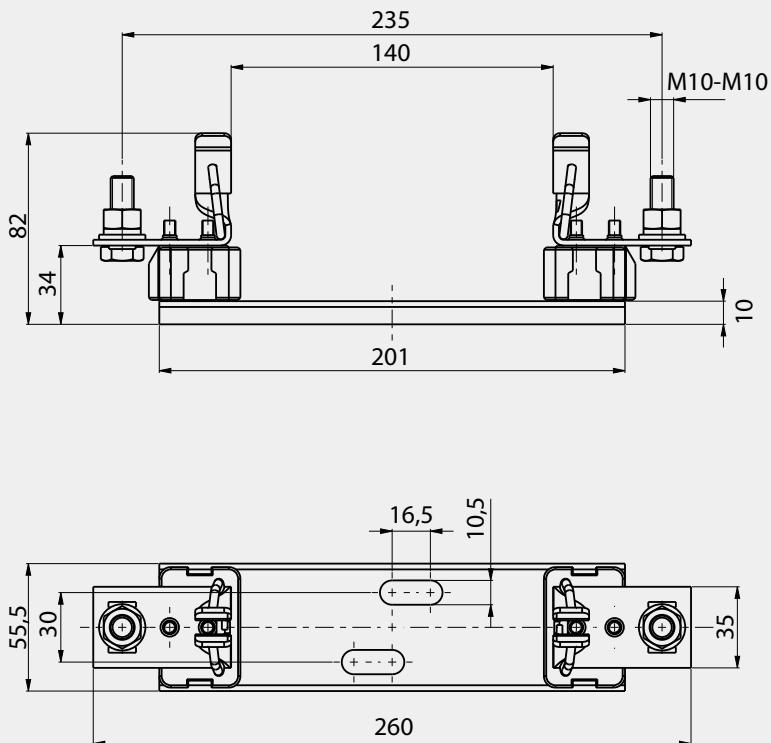
# FUSE BASES FOR NH DC FUSE-LINKS



# Fuse base PK XL 1500V d.c.

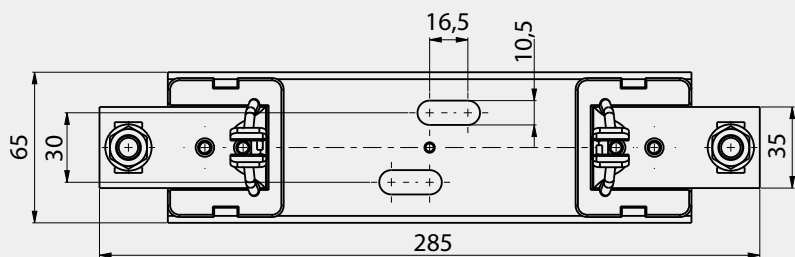
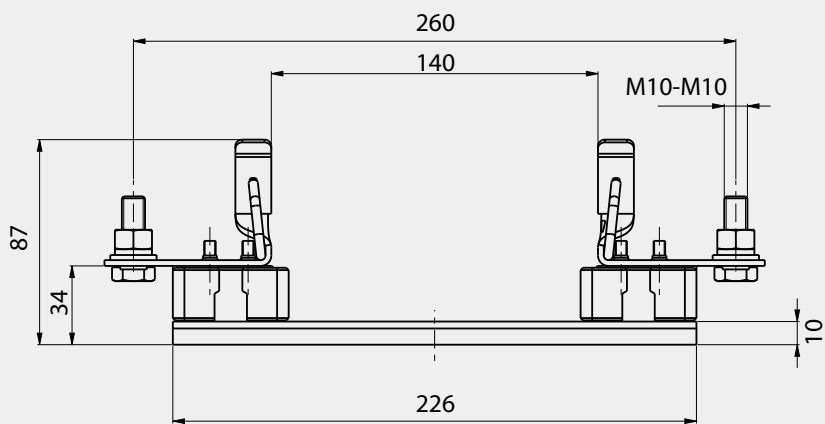
General characteristics		UL file: E356295
Rated voltage	1500V d.c.	
Rated current	160A, 250A, 400A, 630A	
Insulation class	C-VDE 0110	
Degree of protection	IP00	
Standards	IEC 60269, DIN VDE 0636, DIN 43620, DIN 43623	

Fuse base PK XL 1500V d.c.								
Size	$I_n$ [A]	No. of poles	Code No.	Cable lugs according to DIN 46235 [mm <sup>2</sup> ]	Tightening torque [Nm]	Max. power dissipation of the fuse-link per pole [W]	Weight [g]	Packaging [pcs]
PK 01XL M8-M8 1500V 1p	160A	1p	004132029	6 - 95	10	?	?	3/75
PK 1XL M10-M10 1500V 1p	250A		004132017	25 - 150	32	675	3	3/90
PK 2XL M10-M10 1500V 1p	400A		004132019	25 - 240	32	921	1	3/18
PK 3L M12-M12 1500V 1p	630A		004132023	25 - 300	32	1184	1	3/15

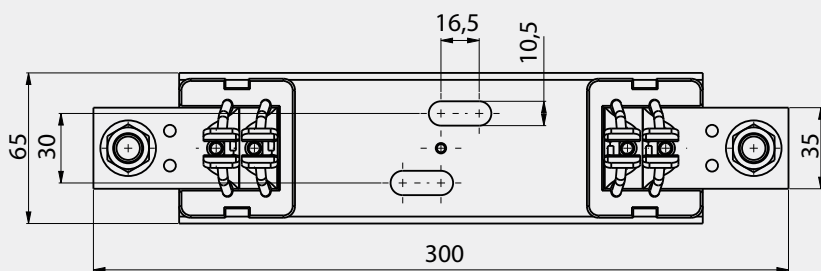
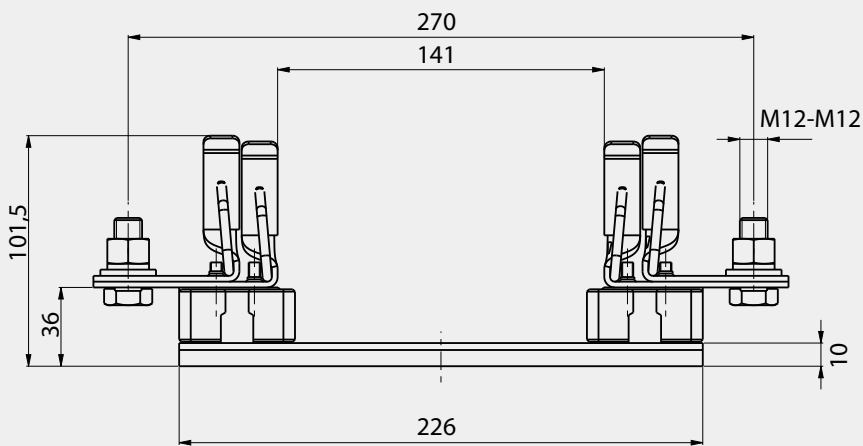


PK1XL





PK2XL



PK3L



NH fuse - bases