

FUSE BASES FOR NH DC FUSE-LINKS

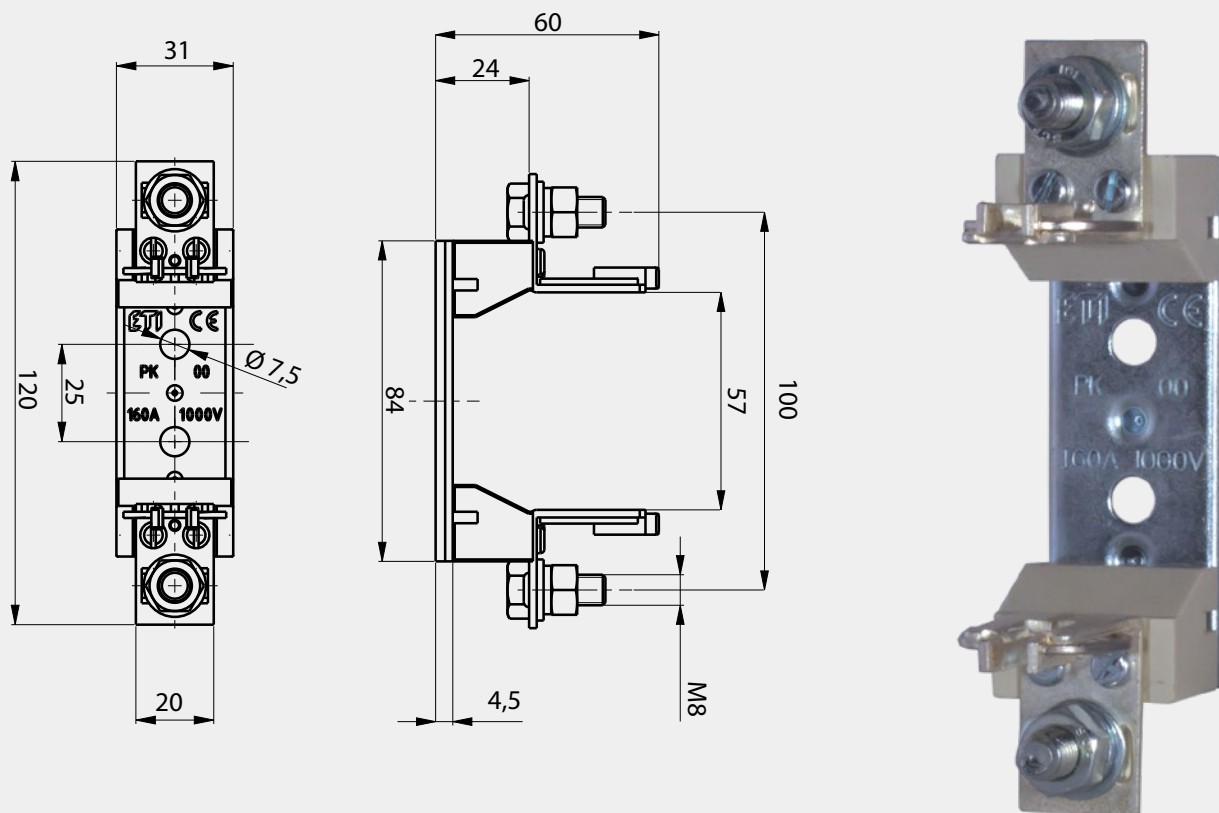


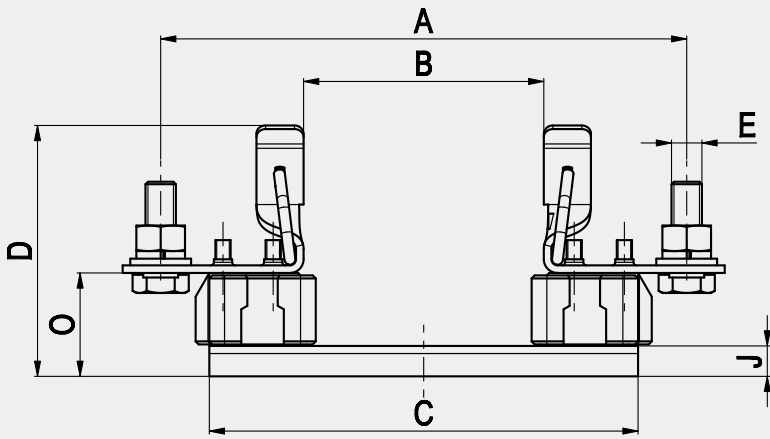


Fuse base PK 00, 0, 1, 2, 3 1000V a.c./d.c.

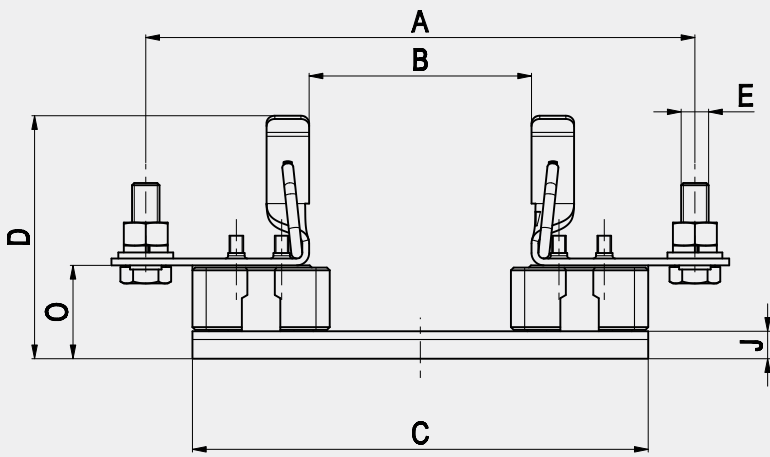
General characteristics	
Rated voltage	1000V a.c./d.c.
Rated current	160A, 250A, 400A, 630A
Insulation class	C-VDE 0110
Degree of protection	IP00
Standards	IEC 60269, DIN VDE 0636, DIN 43620, DIN 43623

Fuse base PK 1000V a.c./d.c.								
Size	I_n [A]	No. of poles	Code No.	Cable lugs according to DIN 46235 [mm ²]	Tightening torque [Nm]	Max. power dissipation of the fuse-link per pole [W]	Weight [g]	Packaging [pcs]
PK 00 M8-M8 DC 1000V 1p	160A	1p	004122044	6 - 95	10	12	173	3/75
PK 0 M8-M8 DC 1000V 1p	160A		004122033	6 - 95	10	12	258	3/90
PK 1 M10-M10 DC 1000V 1p	250A		004122025	25 - 150	32	32	605	3/18
PK 2 M10-M10 DC 1000V 1p	400A		004122024	25 - 240	32	45	845	3/15
PK 3 M12-M12 DC 1000V 1p	630A		004122023	25 - 300	32	60	1110	3/12





PK0,1 DC

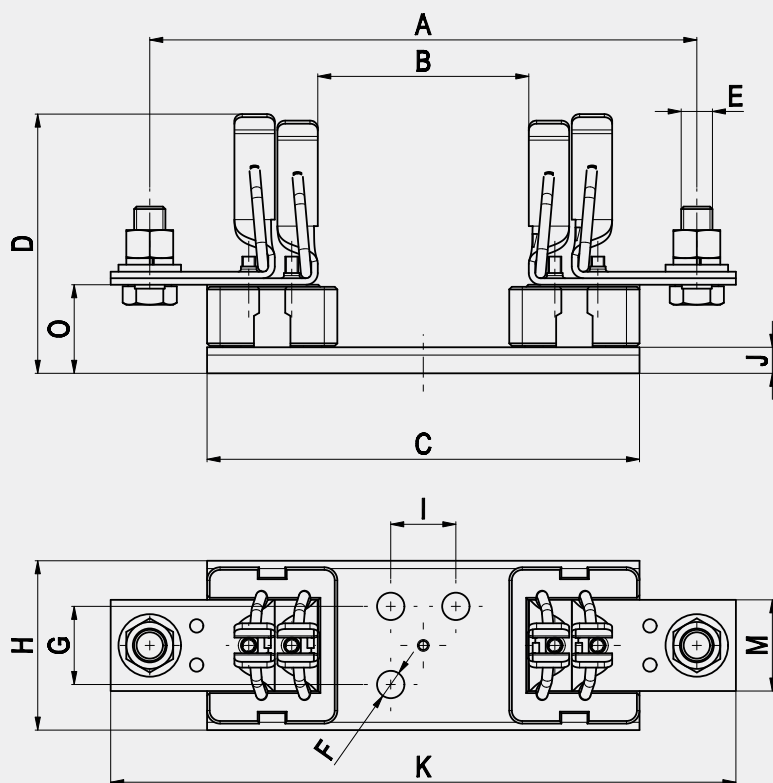


PK2 DC



NH fuse - bases





PK3 DC



Type	Dimensions [mm]												
	A	B	C	D	E	F	G	H	I	J	K	M	O
PK 00	100	57	84	60	M8-M8	Ø7,5	-	31	25	4,5	120	20	24
PK 0	150	74	130	60	M8-M8	Ø7,5	-	33	25	4,5	170	20	25
PK 1	175	80	141	82	M10-M10	Ø10,5	30	55,5	25	10	200	35	35
PK 2	200	80	166	87	M10-M10	Ø10,5	30	65	25	10	225	35	35
PK 3	210	80	166	99	M12-M12	Ø10,5	30	65	25	10	240	35	35