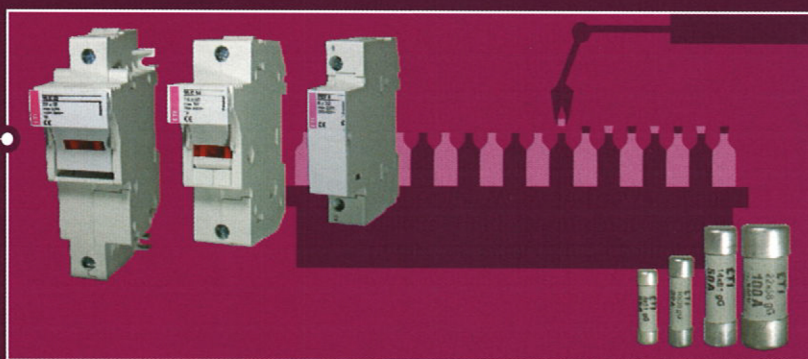


INDUSTRIAL INSTALLATIONS

High-quality protection of installations and devices in industry is ensured by wide selection of fuse-links and circuit breakers. Particularly important is the wide range of NV/NH fuse-links and switchgear combinations, i.e. fuse blocks and switch disconnectors. We also offer MCB's and power circuit breakers ETIBREAK. And not to forget ETICON contactors, plug-in outfit and line-up terminals SPOJ and overvoltage protection devices ETITEC. As well we can not provide solutions without switch disconnectors ETISWITCH and actuators and indicators ETISIG. The products are internationally certified and carry several quality marks.



INDUSTRY

Low voltage NH knife-blade fuse-links

NV/NH 4a gG

Rated current [A]	Code No.			Weight [g]	Packaging [pcs]
	~ 500 V, 120 kA		~ 690 V 100 kA		
630	004116108	004176026	004176105	2170	1/12
710	004116109	004176027	004176106	2170	1/12
800	004116110	004176028	004176107	2170	1/12
900	004116111	004176029	004176108	2170	1/12
1000	004116112	004176030	004176109	2170	1/12
1250	004116113	004176031	004176110	2170	1/12
1500	004116119	004176032		2170	1/12
1600	004116120	004176033		2170	1/12

NV/NH 4a gG with striker pin

Rated current [A]	Code No. ~ 690 V 100 kA	Weight [g]	Packaging [pcs]
500	004116186	2835	1
630	004116187	2835	1
800	004116188	2835	1
1000	004116189	2835	1
1250	004116190	2835	1

NV/NH 1 1000 V a.c. gG

Rated current [A]	Code No. ~1000V 50 kA	Weight [g]	Packaging [pcs]
10	004113703	487	3/24
16	004113704	487	3/24
20	004113705	487	3/24
25	004113706	487	3/24
32	004113707	487	3/24
35	004113708	487	3/24
40	004113710	487	3/24
50	004113711	487	3/24
63	004113712	487	3/24
80	004113713	487	3/24
100	004113714	487	3/24
125	004113715	487	3/24
160	004113716	487	3/24
200	004113717	487	3/24



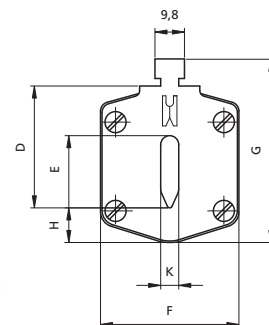
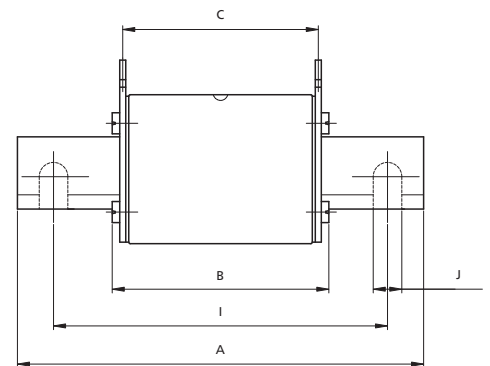
Technical data

Fuse Links NV/NH

Electrical characteristics	
Rated voltage U_n	400 V AC, 500 V AC, 690 V AC
Rated current I_n	2 - 1600 A
Breaking capacity U_n	120 kA, 100 kA, 50 kA
Melting characteristic	gG, aM, gF, gTr
Certified	DIN VDE0636-201 (1998-06)
In accordance with	IEC 60269-1:2005 / EN 60269-1:1998+A1:2005 IEC 60269-2:1986+Corr.1:1996+A11995+A2:2001 / EN 60269-2:1995+A1:1998+A2:2002 IEC 60269-2-1:2004 / HD 60269-2-1:2005
Dimensions according to	DIN43620 Part: 1 - 4
Two versions of covers	aluminium and plastic

Fuse Links NV/NH gG Dimensions

Type	Dimensions											
	A	B	C	D	E	F	G	H	I	J	K	
NV00C	79	53	47	35	15	21	52	7,5			6	kombi
NV00C I	79	53	47	35	15	21	52	7,5			6	kombi
NV00	79	53	47	35	15	28	56	12			6	kombi
NV00 I	79	53	47	35	15	28	56	12			6	kombi
NV0	125	68	65	35	15	28	56	12			6	kombi
NV1C	135	68	65	40	15	28	61	12			6	kombi
NV1C I	135	68	65	40	15	28	61	12			6	kombi
NV1	135	72	65	40	20	46	65	14			6	kombi
NV1 I	135	72	65	40	20	46	65	14			6	kombi
NV2C	150	72	65	48	20	46	73	14			6	kombi
NV2C I	150	72	65	48	20	46	73	14			6	kombi
NV2	150	72	65	48	26	54	73	14			6	kombi
NV2 I	150	72	65	48	26	54	73	14			6	kombi
NV3C	150	72	65	60	26	54	84	14			6	kombi
NV3	150	72	65	60	33	65	84	14			6	kombi
NV4	200	75	66	87	50	100	121	24	150	16	8	
NV4a	200	99	87	85	50	95	121	27			6	
NV4a SI*	200	99	87	85	50	95	121	27			6	



Fuse Links NV/NH gG with Striker Pin Dimensions

Type	Dimensions			
	K	L	M	S1
00C	0	20.7	16.7	7.5
00	0	20.7	16.7	7.5
1	13.7	19.7	25	12
2	16.2	27.4	25	12
3	17	35.6	25	12
4a	24	49	25	12

