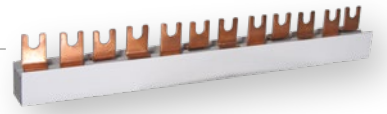


## Accessories

### Phase busbars 10 mm<sup>2</sup> 63A

Type	Additional description	Code No.	Cross section [mm <sup>2</sup> ]	Length [m]	Weight [g]	Packaging [pcs]	For use with
IZ10/1F/54*	10mm <sup>2</sup> , 1-phase, 54 mod.	002921142	10	1,00	260	40	ETIMAT6, ETIMAT P10, ETITEC,SV, VLD01
IZ10/3F/12	10mm <sup>2</sup> , 3-phase, 12 mod.	002921140	10	0,21	115	20/240	
IZ10/3F/54*	10mm <sup>2</sup> , 3-phase, 54 mod.	002921141	10	1,00	560	20	
IZ10/1F/12	10mm <sup>2</sup> , 1-phase, 12 mod.	002921143	10	0,21	50	40/240	
IZ10/L1NL2NL3N/12	10mm <sup>2</sup> , 4-pole, 12 mod.	002921268	10	0,21	228	10	ETIMAT6 1P+N, ETIMAT P10 1P+N, KZS-2M
IZ10/L1NL2NL3N/54	10mm <sup>2</sup> , 4-pole, 1m / 53 mod.	002921279	10	0,965	536	10	ETIMAT6 1P+N, ETIMAT P10 1P+N, KZS-2M
IZ10/L1L2L3N-L1NL2NL3N	10mm <sup>2</sup> , 4-pole, 12 mod.	002921275	10	0,21	131	10	EFI4 + ETIMAT 6 1P+N, ETIMAT P10 1P+N
IZ10/L1L2L3NL1/NL2/NL3/N	10mm <sup>2</sup> , 4-pole, 12 mod.	002921276	10	0,21	255	50	EFI4+ETIMAT1N, KZS1M
IZ10/L1L2L3_L1L2L3	10mm <sup>2</sup> , 3-pole, 12 mod.	002921277	10	0,21	120	10	EFI4 + ETIMAT 6, ETIMAT P10

\*Not for ETIMAT P10 MULTIPOLE (2P, 3P, 1P+N, 3P+N) with length more than 12 modules.



### Phase busbars 12 mm<sup>2</sup> 80A

Type	Additional description	Code No.	Cross section [mm <sup>2</sup> ]	Length [m]	Weight [g]	Packaging [pcs]	For use with
IZ12/1F/12	12mm <sup>2</sup> , 1-phase, 12 modul	002921018	12	0,21	57	40/480	ETIMAT6, ETIMAT P10, ETITEC,SV, VLD01
IZ12/1F/54*	12mm <sup>2</sup> , 1-phase, 54 mod.	002921026	12	1,00	260	40	
IZ12/3F/9	12mm <sup>2</sup> , 3-phase, 9 mod.	002921017	12	0,16	81	20/240	
IZ12/3F/12	12mm <sup>2</sup> , 3-phase, 12 mod.	002921020	12	0,21	115	20/240	
IZ12/3F/18*	12mm <sup>2</sup> , 3-phase, 18 mod.	002921022	12	0,32	180	20/120	
IZ12/3F/54*	12mm <sup>2</sup> , 3-phase, 54 mod.	002921024	12	1,00	560	20	

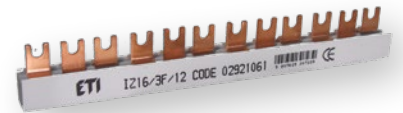
\*Not for ETIMAT P10 MULTIPOLE(2P, 3P, 1P+N, 3P+N) with length more than 12 modules.



### Phase busbars 16 mm<sup>2</sup> (normal) 100A

Type	Additional description	Code No.	Cross section [mm <sup>2</sup> ]	Length [m]	Weight [g]	Packaging [pcs]	For use with
IZ16/1F/12P	16mm <sup>2</sup> , 1-phase, 12 modul	002921091	16	0,21	70	40/360	ETIMAT6, ETIMAT P10, ETITEC,SV, VLD01
IZ16/1F/54P*	16mm <sup>2</sup> , 1-phase, 54 mod.	002921092	16	1,00	320	40	
IZ16/3F/12	16mm <sup>2</sup> , 3-phase, 12 mod.	002921061	16	0,21	155	20/180	
IZ16/3F/54*	16mm <sup>2</sup> , 3-phase, 54 mod.	002921063	16	1,00	700	20	

\*Not for ETIMAT P10 MULTIPOLE(2P, 3P, 1P+N, 3P+N) with length more than 12 modules.



### Phase busbars 16mm<sup>2</sup> (2 pole and 4 pole) 100A

Type	Additional description	Code no.	Cross section (mm <sup>2</sup> )	Length (m)	Weight (g)	Packaging (pcs)	For use with
IZ16/2F/12	16mm <sup>2</sup> , 2-pole, 12 mod.	002921066	16	0,21	120	10/120	EFI-2, EFI-4, KZS-2M, KZS-4M
IZ16/2F/54*	16mm <sup>2</sup> , 2-pole, 54 mod.	002921067	16	1	550	10	
IZ16/4F/12	16mm <sup>2</sup> , 4-pole, 12 mod.	002921068	16	0,21	230	10/80	
IZ16/4F/56*	16mm <sup>2</sup> , 4-pole, 56 mod.	002921070	16	1	1020	10	ETIMAT6, P10, SV, ETITEC, VLD01

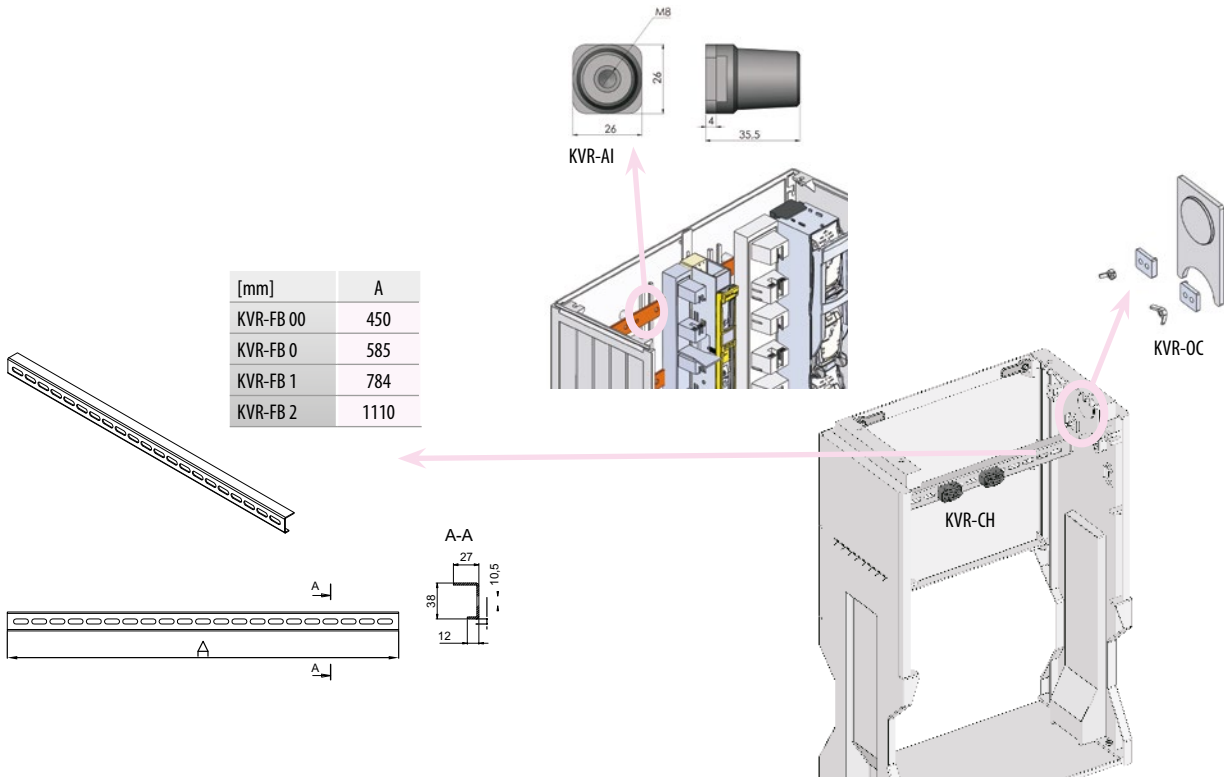
\*Not for ETIMAT P10 MULTIPOLE(2P, 3P, 1P+N, 3P+N) with length more than 12 modules.

### Phase busbars 16 mm<sup>2</sup> ( L shape ) 100A

Type	Additional description	Code No.	Cross section [mm <sup>2</sup> ]	Length [m]	Weight [g]	Packaging [pcs]	For use with
IZ16/1F/2/L	16mm <sup>2</sup> , 1-phase, 2 modul	002921081	16	0,03	11	50/600	ETIMAT6, ETIMAT P10, ETITEC,SV, VLD01
IZ16/1F/3/L	16mm <sup>2</sup> , 1-phase, 3 mod.	002921082	16	0,05	16	50/600	
IZ16/1F/4/L	16mm <sup>2</sup> , 1-phase, 4 mod.	002921083	16	0,07	21	50/600	
IZ16/1F/12/L	16mm <sup>2</sup> , 1-phase, 12 mod.	002921060	16	0,21	65	40/360	
IZ16/1F/54/L*	16mm <sup>2</sup> , 1-phase, 54 mod.	002921062	16	1,00	290	40	

\*Not for ETIMAT P10 MULTIPOLE(2P, 3P, 1P+N, 3P+N) with length more than 12 modules.





Enclosure ventilation

