



Phase busbars 16 mm² (STV) 100A

Type	Additional description	Code No.	Cross section [mm ²]	Length [m]	Weight [g]	Packaging [pcs]	For use with
IZ16/1F/12/STV	16mm ² , 1-phase, 12 mod.	002921071	16	0,32	95	40/240	STVD02
IZ16/1F/36/STV	16mm ² , 1-phase, 36 mod.	002921073	16	1,00	280	40	
IZ16/3F/12/STV	16mm ² , 3-phase, 12 mod.	002921072	16	0,32	230	20/120	
IZ16/3F/36/STV	16mm ² , 3-phase, 36 mod.	002921074	16	1,00	700	20	

Phase busbars for Motor switches - IZM (16 mm²) 100A

Type	Additional description	Code No.	Cross section [mm ²]	Length [m]	Weight [g]	Packaging [pcs]	For use with
IZM16/3F/4	16mm ² , 3-phase, 12 mod.	002921132	10	0,20	155	20	MPE 25 (no side accessories)
IZM16/3F/20	16mm ² , 3-phase, 54 mod.	002921133	10	1,00	700	20	

Busbars for motor protective circuit breakers - MPCB: MPE25, MSPO, MS25, 10mm² 63 A/690 VAC

Type	Additional description	Code No.	Cross section [mm ²]	Length [m]	Weight [g]	Packaging [pcs]	For use with
IZM-L3-25	Feed-in terminal, 3 pole, 6-25mm ²	002921297	10	44	40	10	MPE25, MSPO, MS25
IZM45-2	3-phase, 45 mm, 14 mm pitch	002921298	10	86,5	35	10	2x MPCB
IZM45-3	3-phase, 45 mm, 14 mm pitch	002921299	10	131,5	57	10	3x MPCB
IZM45-4	3-phase, 45 mm, 14 mm pitch	002921300	10	176,5	80	10	4x MPCB
IZM45-5	3-phase, 45 mm, 14 mm pitch	002921301	10	221,5	100	10	5x MPCB
IZM54-2	3-phase, 54 mm, 14 mm pitch	002921302	10	95,5	38	10	2x (MPCB + auxiliary contact)
IZM54-3	3-phase, 54 mm, 14 mm pitch	002921303	10	149,5	61	10	3x (MPCB + auxiliary contact)
IZM54-4	3-phase, 54 mm, 14 mm pitch	002921304	10	203,5	88	10	4x (MPCB + auxiliary contact)
IZM54-5	3-phase, 54 mm, 14 mm pitch	002921305	10	257,5	109	10	5x (MPCB + auxiliary contact)

End cover cap

Type	Code No.	Weight [g]	Packaging [pcs]	For use with
Z-10/3F	002921227	0,8	25/250	IZ10/3F (002921140, 002921141), IZM10/3F (002921130, 002921131)
Z-16/3F	002921228	0,8	25/250	IZ16/3F (002921061, 002921063), IZM16/3F (002921132, 002921133), IZ16/3F/STV (002921072, 002921074)
Z-12/3F	002921019	0,7	25/250	IZ12/3F (002921017, 002921020, 002921022, 002921024)
Z-10/1F	002921220	0,15	25/250	IZ10/1F (002921143, 002921142), IZ10/3F/D (002921160, 002921161), IZM10/3F/D (002921190, 002921191)
Z-12/1F	002921221	0,15	25/250	IZ12/1F (002921018, 002921026), IZ12/3F/D (002921162, 002921163, 002921164)
Z-16/1F	002921222	0,15	25/250	IZ16/1F (002921091, 002921092), IZ16/3F/D (002921064, 002921065), IZ16/2F/D (002921200, 002921201), IZ16/4F/D (002921210, 002921211), IZM16/3F/D (002921192, 002921193), IZ16/1F/STV (002921071, 002921073)
Z-16/2F	002921224	0,5	25/250	IZ16/2F (002921066, 002921067)
Z-16/4F	002921225	1	25/250	IZ16/4F (002921068, 002921070)
ZS-16/4F	002921229	1	25/250	IZS16/4F (002921177, 002921178)
ZS-10/3F	002921226	0,8	25/250	IZS10/3F (002921102, 002921103)



Z-10/3F
Z-16/3F



Z-12/3F



Z-10/1F,
Z-16/1F



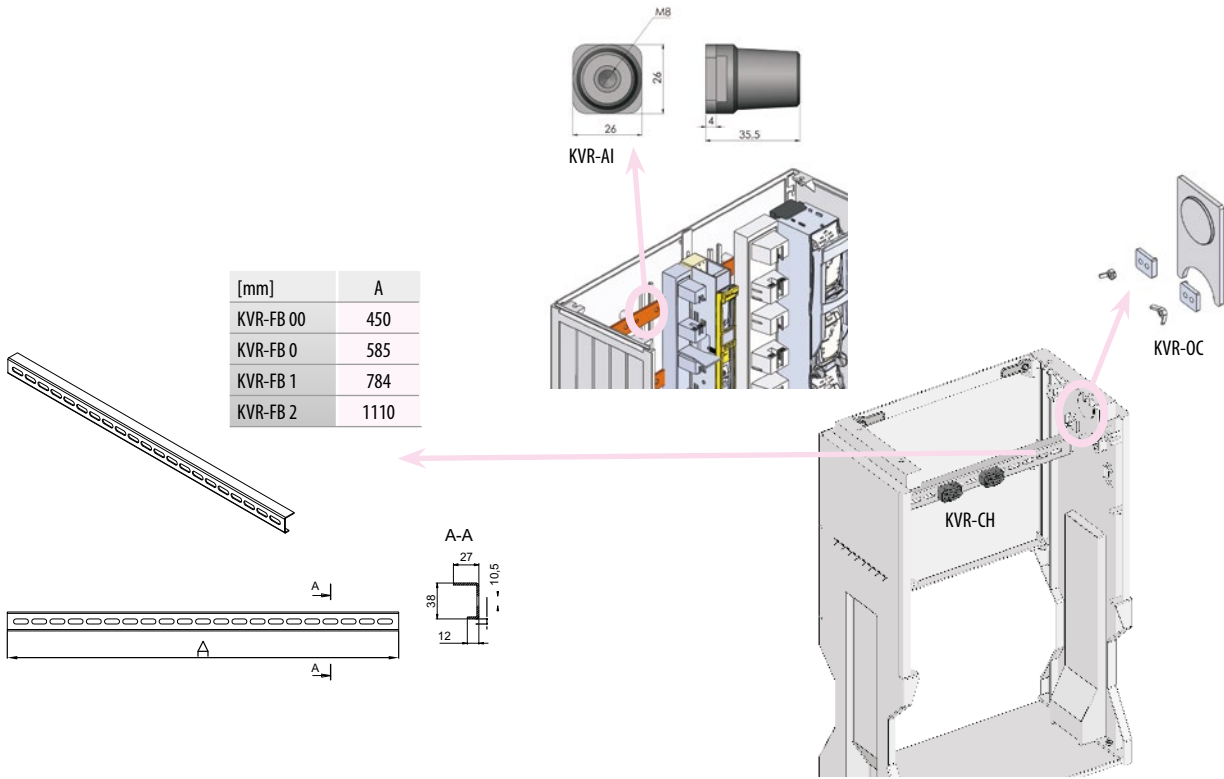
Z-10/2F
Z-16/2F



ZS-10/3F



Z-16/4F



Enclosure ventilation

