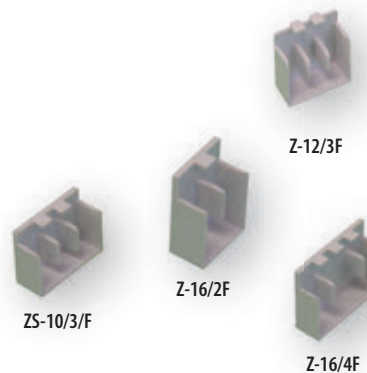


RESIDENTIAL AND COMMERCIAL INSTALLATIONS

ETI provides high-quality and integral solutions for protection of electrical installations in buildings. We supply all kinds of type D, D0 and C fuse-links, as well as MCB's and various types of residual current protection switches from ASTI group. In our sales program you will also find various types of switches and supervision & control devices of EVE group. Very important is also overvoltage protection ETITEC. All together shall be built, of course, into a distribution cabinet DIDO of your choice. The products are internationally certified and carry several quality marks.





Section rails 16 mm² (STV) 100A

Type	Additional description	Code No.	Cross section [mm ²]	Length [m]	Weight [g]	Packaging [pcs]	For use with
IZ16/1F/12/STV	16mm ² , 1-phase, 12 mod.	002921071	16	0,32	95	40/240	STVD02
IZ16/1F/36/STV	16mm ² , 1-phase, 36 mod.	002921073	16	1,00	280	40	
IZ16/3F/12/STV	16mm ² , 3-phase, 12 mod.	002921072	16	0,32	230	20/120	
IZ16/3F/36/STV	16mm ² , 3-phase, 36 mod.	002921074	16	1,00	700	20	

Section rails for Motor switches - IZM (16 mm²) 100A

Type	Additional description	Code No.	Cross section [mm ²]	Length [m]	Weight [g]	Packaging [pcs]	For use with
IZM16/3F/4	16mm ² , 3-phase, 12 mod.	002921132	10	0,20	155	20	MPE 25 (no side accessories)
IZM16/3F/20	16mm ² , 3-phase, 54 mod.	002921133	10	1,00	700	20	

End cover cap

Type	Code No.	Weight [g]	Packaging [pcs]	For use with
Z-10/3F	002921227	0,8	25/250	IZ10/3F (002921140,002921141), IZM10/3F(002921130,002921131)
Z-16/3F	002921228	0,8	25/250	IZ16/3F (002921061,002921063), IZM16/3F (002921132,002921133), IZ16/3F/STV(002921072,002921074)
Z-12/3F	002921019	0,7	25/250	IZ12/3F(002921017, 002921020, 002921022, 002921024)
Z-10/1F	002921220	0,15	25/250	IZ10/1F(002921143,002921142), IZ10/3F/D(002921160,002921161), IZM10/3F/D(002921190,002921191)
Z-12/1F	002921221	0,15	25/250	IZ12/1F(002921018,002921026), IZ12/3F/D(002921162,002921163,002921164)
Z-16/1F	002921222	0,15	25/250	IZ16/1F(002921091,002921092), IZ16/3F/D(002921064,002921065), IZ16/2F/D(002921200,002921201), IZ16/4F/D(002921210,002921211), IZM16/3F/D(002921192,002921193), IZ16/1F/STV(002921071,002921073)
Z-16/2F	002921224	0,4	25/250	IZ16/2F
Z-16/4F	002921225	1	25/250	IZ16/4F(002921066,002921067)
ZS-16/4F	002921229	1	25/250	IZS16/4F(002921177,002921178)
ZS-10/3F	002921226	0,8	25/250	IZS10/3F(002921102,002921103)

Pin type

Section rails 10 mm² (normal) 63A

Type	Additional description	Code No.	Cross section [mm ²]	Length [m]	Weight [g]	Packaging [pcs]	For use with
IZS10/1F/12	10mm ² , 1-phase, 12 mod.	002921100	10	0,21	40	40/480	ETIMAT6, ETIMAT P10, ETITEC,SV,VLD01, PCF8, PCF10, EFD8, EFD10
IZS10/1F/54*	10mm ² , 1-phase, 54 mod.	002921101	10	1,00	150	40	
IZS10/3F/12	10mm ² , 3-phase, 12 mod.	002921102	10	0,21	100	20/240	
IZS10/3F/54*	10mm ² , 3-phase, 54 mod.	002921103	10	1,00	450	20	

*Not for ETIMAT P10 MULTIPOLE(2P, 3P, 1P+N, 3P+N) with length more than 12 modules.

Section rails 16 mm² (normal) 100A

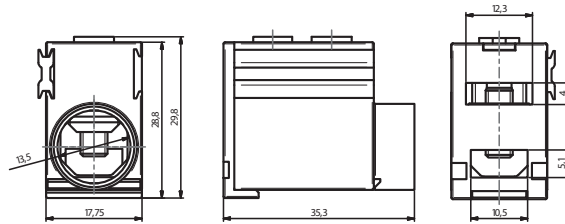
Type	Additional description	Code No.	Cross section [mm ²]	Length [m]	Weight [g]	Packaging [pcs]	For use with
IZS16/1F/12	16mm ² , 1-phase, 12 mod.	002921110	16	0,21	50	40/480	ETIMAT6, ETIMAT P10, ETITEC,SV,VLD01, PCF8, PCF10, EFD8, EFD10
IZS16/1F/54*	16mm ² , 1-phase, 54 mod.	002921111	16	1,00	220	40	
IZS16/3F/12	16mm ² , 3-phase, 12 mod.	002921112	16	0,21	130	20/180	
IZS16/3F/18*	16mm ² , 3-phase, 18 mod.	002921113	16	0,32	230	20/120	
IZS16/3F/54*	16mm ² , 3-phase, 54 mod.	002921114	16	1,00	700	20	

*Not for ETIMAT P10 MULTIPOLE(2P, 3P, 1P+N, 3P+N) with length more than 12 modules.



Accessories

Terminal for protective conductors			
type	length [m]	supply [mm ²]	outlet [mm ²]
2/6	0,056	2 x 22	6 x 14
2/8	0,086	2 x 22	8 x 14
2/12	0,092	2 x 22	12 x 14
2/18	0,128	2 x 22	18 x 14



Technical data - Section rails for ETIMAT P10			
Cross section	10 mm ²	16 mm ²	25 mm ²
Feeding at beginning/ending			
Max. current I _s /Phase	63	80	100
Cross section of connection, mm ²	10	16	25
Feeding in the middle			
Max. current I _e /Phase	100	130	170
Cross section of connection, mm ²	25	35	2x25
Heat deflection temperature PVC	80°C flame resistant		
Comparative tracking index PVC	300V		
Standards	EN 60947-1:2007/ IEC 60947-1:2007		
Climate stability	DIN EN 60068		
Insulation coordination	Degree of pollution 2		
Electrical data			
Impulse voltage strength	≥4,5 kV		
Min. air distance	> 5,5 mm		
Min. creeping distance	> 5 mm		
Max. operating voltage	690 V AC/DC		
Protection class	IP20		
Short circuit rating	ICC 15kA NH 250A gL 500V		
Dielectric strenght	≥ 32 kV/mm		
Material			
	Material	Surface	
Busbar	Copper	plain	
Insulation	PVC lead-free	grey RAL 7035	
Endcover	moulded		

Ampacity at 35 °C ambient temperature depending of feeding point

