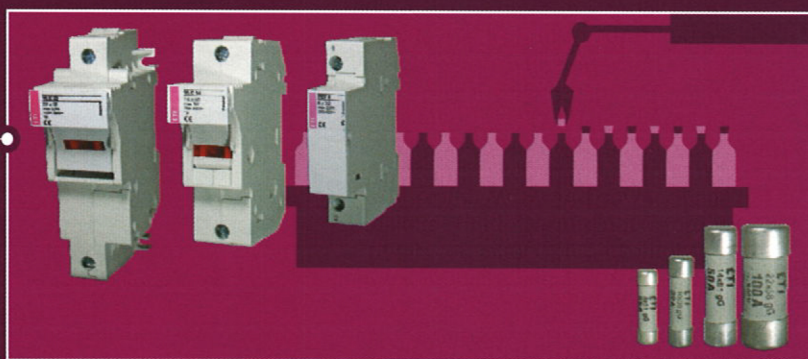


INDUSTRIAL INSTALLATIONS

High-quality protection of installations and devices in industry is ensured by wide selection of fuse-links and circuit breakers. Particularly important is the wide range of NV/NH fuse-links and switchgear combinations, i.e. fuse blocks and switch disconnectors. We also offer MCB's and power circuit breakers ETIBREAK. And not to forget ETICON contactors, plug-in outfit and line-up terminals SPOJ and overvoltage protection devices ETITEC. As well we can not provide solutions without switch disconnectors ETISWITCH and actuators and indicators ETISIG. The products are internationally certified and carry several quality marks.



INDUSTRY

Accessories



Auxiliary switch PS EFD

U _n [V]	I _n [A]	Code No. EFD14	Code No. EFD22	Weight [g]	Packaging [pcs]	Contact
250	5	002569001	002579001	50	1/10	1 x make 1 x break

* Can be used with VLC 14 and VLC 22 Fuse-switch disconnectors

Auxiliary switch PS EFD is intended to be mounted with disconnectors EFD 14 and EFD 22 for all versions (1p, 2p, 1p+N, 3p, 3p+N). The width of apparatus is 9 mm, other dimensions comply with EFD 14 and EFD 22 series switches. Auxiliary switch PS EFD signals the operation of CH 14 or CH 22 fuse-links only in the case a fuse-link is fitted with striking pin - see IEC 60 269-2 Figure 1a (III).



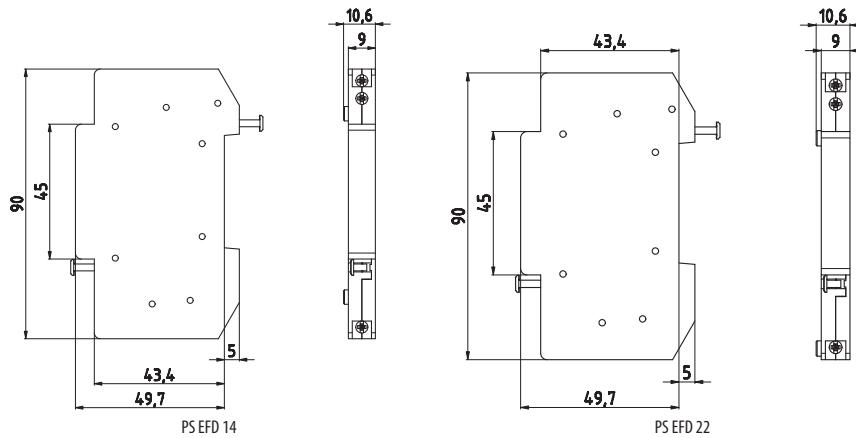
Connection kit

New!

Description	Code No.	For use with	Weight [g]	Packaging [pcs]
Connection kit 2p	002540948	EFD 8, EFD 10, EFH 10, PCF 8, PCF 10	96	1*/20
Connection kit 3p	002540949	EFD 8, EFD 10, PCF 8, PCF 10	162	1*/20
Connection kit 2p	002560948	EFD 14, EFH 14	144	1*/20
Connection kit 3p	002560949	EFD 14	217	1*/20
Connection kit 2p	002570948	EFD 22, EFD J30	191	1*/20
Connection kit 3p	002570949	EFD 22, EFD J30	300	1*/20

* Note: 1 kit suffices for the assembly of 50 sets

Auxiliary switch EFD



Fuse-switch disconnectors for cylindrical fuse-links PCF

Technical data PCF					
	PCF 8		PCF 10		PCF CC
Fuse type	CH 8x32		CH 10x38		Class CC
	IEC		IEC	UL	UL
Versions	Without indicator / LED indicator				
Number of poles	1p, 1p+N, 2p, 3p, 3p+N			1p, 2p, 3p	
Rated operational voltage Ue	400V a.c.		690V a.c.	600V a.c./d.c.	600V a.c./d.c.
Rated operational current Ie	20A		32A	30A	30A
Maximum rated current of fuselinks	690V	10A gG			
	500V	25A gG, 16A aM			
	400V	20A gG, 10A aM	32A gG		
Rated frequency	50Hz		50Hz	60Hz	60Hz
Rated short-time withstand current Icw	240A		300A		
Rated conditional short-circuit current	50kA		100kA	200kA	200kA
Rated insulation voltage Ui	400V		690V		
Rated imp. withstand voltage Uimp	4kV		4kV		
Overvoltage category	III		III		
Max power dissipation of the fuse-link (W)	gG: 2,5W / aM: 0,9W		gG: 3W / aM: 1,2W		
LED indicator operating range	50V-690V a.c.		50V-600V a.c., 80V-600V d.c.		
Utilization category	AC-22B		AC-22B	Do not operate under load	
Operational performance (cycles with current)	300		300		
Operational performance (cycles without current)	1700		1700		
Humidity	90% at 20°C				
Operating ambient temperature	-5°C ... +40°C				
Store ambient temperature	-25°C ... +55°C				
Degree of protection (IEC 60529)	IP 20		IP 20		
Terminal capacity	0,5-10mm ² , Double connection		20-10 stranded, Cu only	20-10 solid&stranded, Cu only	
Screw	PZ M4		PZ M4	PZ M4	PZ M4
Torque	1,2Nm		1,2Nm	1,2Nm	1,2Nm
Mounting on EN 60715 rail	35mm rail				
Sealing possibility	ON and OFF				
Standards - fuse links	IEC/EN 60269-2			UL 248-4, IEC/EN 60269-2	
Standards - Fuse-switch disconnectors/fuse holders	IEC 60947-1, IEC 60947-3		UL 4248-1	UL 4248-1, UL 4248-4	
Test reports	Int.		CCA/CB	UL	Int
Certificates				UL _{US}	