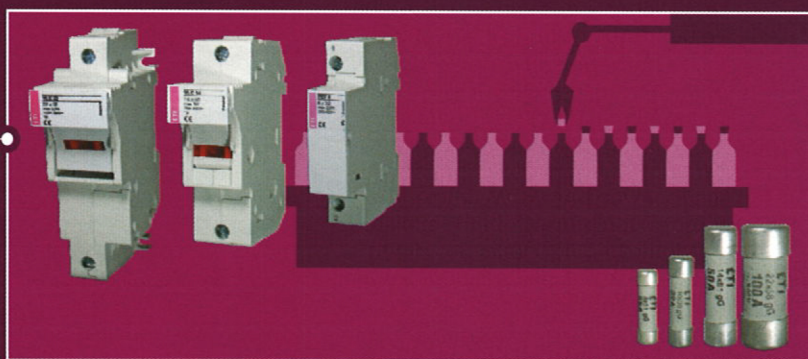


## INDUSTRIAL INSTALLATIONS

High-quality protection of installations and devices in industry is ensured by wide selection of fuse-links and circuit breakers. Particularly important is the wide range of NV/NH fuse-links and switchgear combinations, i.e. fuse blocks and switch disconnectors. We also offer MCB's and power circuit breakers ETIBREAK. And not to forget ETICON contactors, plug-in outfit and line-up terminals SPOJ and overvoltage protection devices ETITEC. As well we can not provide solutions without switch disconnectors ETISWITCH and actuators and indicators ETISIG. The products are internationally certified and carry several quality marks.



INDUSTRY

# Fuse bases

## Advantages of plastic fuse base PFB D0

→ Compact housing design without additional covers – IP 20 protection class, faster assembling

→ All parts are made of firestop material (GW 960 °C)

→ Two position snapper - enables easy replacement



→ More grip area for screwing caps

→ Front print – product data visible after installation in the cabinet

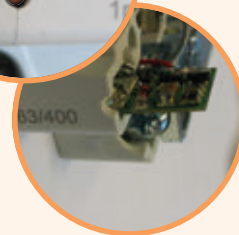


→ Modular design - availability of assembling multi-pole versions on construction site



→ LED indication when fuse link operates - working also in case of open circuit at minimal wire capacitance

→ LED indication flashes when a fuse is blown



→ Double input terminal - availability of connecting wire and isolated Busbar

→ Contact material Cu - lower temperature rise, very lower power dissipation

**New! LED Version**



Plastic fuse base PFB D0



Fuse base PFB D01

Type	I <sub>n</sub> [A]	Code No.	Number of poles	Weight [g]	Packaging [pcs]
PFB D01 1p	16	002510011	1	58	15/180
PFB D01 1p LED	16	002510012	1	58,5	15/180
PFB D01 3p	16	002510013	3	178	5/60
PFB D01 3p LED	16	002510014	3	179,5	5/60

Fuse base PFB D02

Type	I <sub>n</sub> [A]	Code No.	Number of poles	Weight [g]	Packaging [pcs]
PFB D02 1p	63	002510021	1	64	15/180
PFB D02 1p LED	63	002510022	1	64,5	15/180
PFB D02 3p	63	002510023	3	194	5/60
PFB D02 3p LED	63	002510024	3	195,5	5/60

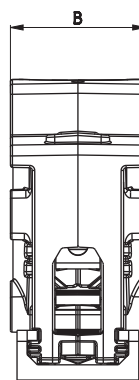
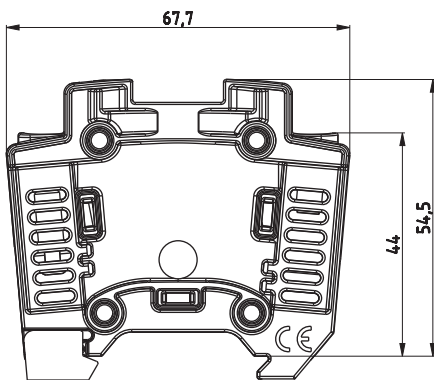
Connection kit

Type	Code No.	Weight [g]	Packaging [pcs]
Connection kit	002510001	30	300



Plastic fuse base PFB D0

Technical data		
	PFB D01	PFB D02
Fuse type	D01	D02
Versions	w/o indicator, LED indicator version	
Number of poles	1p, 3p	
Thread	E14	E18
Rated operational voltage Ue	400V a.c. / 250V d.c.	
Rated operational current Ie	16A	63A
Rated frequency	45-62Hz	
Rated conditional short-circuit current	50kA a.c. / 8kA d.c.	
Max power dissipation of the fuse-link (W)	2,5W	5,5W
LED indicator operating range	50V-400V a.c./ 50V-250V d.c.	
Glow wire test (GWFI)	960°C	
Terminals		
Screw	PZ2 M5	
Torque	2Nm	2,5Nm
Input terminal	1 ... 35mm <sup>2</sup> + Busbar 16mm <sup>2</sup>	
Output terminal	1 ... 25mm <sup>2</sup>	
Humidity		
Operating ambient temperature	-5°C ... +40°C	
Store ambient temperature	-25°C ... +55°C	
Degree of protection (IEC 60529) with fuse - carrier	IP 20	
Mounting on EN 60715 rail	35mm	
Standards		
Approvals	IEC 60269-3, VDE0636-3 VDE, OVE	



type	B [mm]
1p	26,8
3p	80,4