

ASTROCLOCK-2



Specifications

| | |
|-----------------------------------|---|
| ETI Code | 002472051 |
| Description | ASTROCLOCK-2 |
| Class name | Time relay - digital |
| Function | Time relay |
| Rated current (A) | 16 |
| Voltage type | AC |
| Supply voltage (V) | 230 |
| Type of contacts | CO |
| Number of contacts | 2 |
| Time range | SUNRISE, SUNSET, FIXED TIME: ON/OFF, REDUC. |
| Maximum load capacity at AC1 (VA) | 4000 |

[Online product page](#)

Other documentation



[Technical data catalogue](#)

[3D Model](#)

[Instruction manual](#)

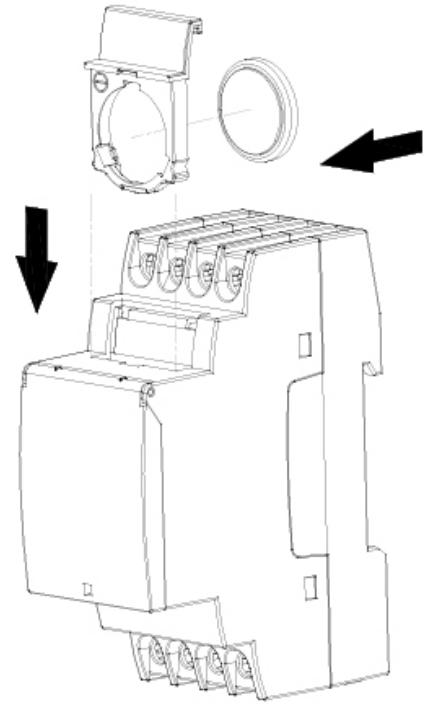
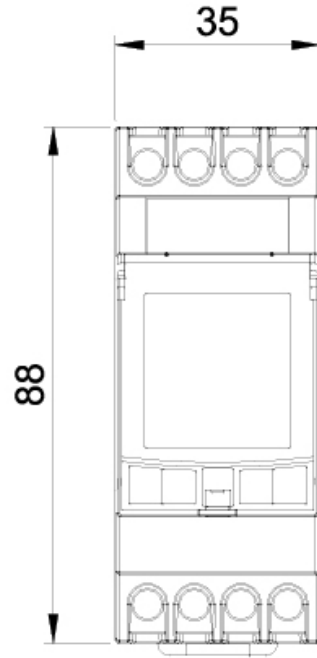
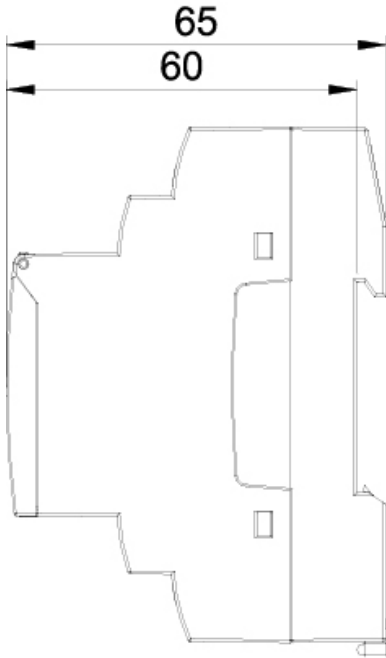
[CE declaration](#)

[Eplan file](#)

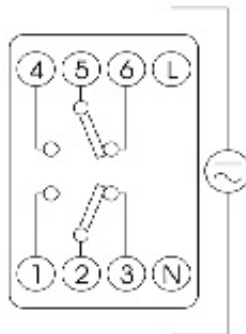
ETIM international classification

| | |
|---|--|
| Classification | EC002305 |
| Class name | Digital time switch for distribution board |
| Voltage type | AC |
| Rated current | 16 |
| Mounting method | DIN rail |
| Number of channels | 2 |
| Supply voltage | 230...230V |
| Voltage type (supply voltage) | AC |
| Frequency supply voltage | 50...50Hz |
| Autonomy in hours | 48 |
| Accuracy per day | 1s |
| 24 h program | 1 |
| Weekly program | 1 |
| Holiday program | 1 |
| Cycle program | 1 |
| Astro program | 1 |
| Hour meter | 1 |
| Shortest switching time channel 1 | 0.02min |
| Shortest switching time channel 2 | 0.02min |
| Number of memory locations | 40 |
| Automatic switching summer-/winter time | 1 |
| Suitable for manual operation | 1 |
| Nominal switching current at 250 V AC | 16A |
| Degree of protection (IP) | IP20 |
| Width in number of modular spacings | 2 |
| Width | 35.5mm |
| Height | 90mm |
| Depth | 65mm |

Dimension drawing



Symbol/Connection



| | | | |
|-----------------------|----------------|-------------------------------|--------------------|
| Incandescent | Fluorescent | Low voltage halogen (12 V AC) | Halogen (230 V AC) |
| | | | |
| 3000 W | 1200 VA | 2000 VA | 3000 W |
| Low consumption lamps | Downlights | LED | |
| | | | |
| 600 VA | 400 VA | 90 VA | |