

**4-pole**

Type	I <sub>n</sub> [A]	Code No.	U <sub>n</sub> [V]	utilization category	Weight [g]	Packaging [pcs]
SV 416	16	002423421	400	AC-23B	363	3/27
SV 425	25	002423422	400	AC-23B	365	3/27
SV 440	40	002423423	400	AC-23B	380	3/27
SV 463	63	002423414	400	AC-22B	360	3/27
SV 480	80	002423415	400	AC-22B	360	3/27
SV 4100	100	002423416	400	AC-22B	360	3/27
SV 4125	125	002423417	400	AC-22B	360	3/27



## Build-in devices EVESYS

### Build-in devices EVESYS

Rated current  
**25-40 A**

Utilization category  
**AC-22A**

Modular changeover switches SSQ I-0-II (network - generator) enable simple and trouble-free switching of power supply sources in case of emergency (e.g. mains voltage failure). They are designed for installation in switchgear equipped with TH35 rails adapted for mounting modular devices. Switches can be sealed for the selected positions: I or II.

Advantages:

- the family of SSQ changeover switches expands the EVE modular system range,
- all changeover switches are made in modular form - module width 18 mm,
- the distance between the changeover switch contacts in the open state is larger than 3 mm per one pair of contacts, (two pair of contacts in the current path of changeover switch)
- the changeover switches are equipped with terminals enabling connection of conductors of cross-section :
  - 16 mm<sup>2</sup> for a "wire" type wire
  - 10 mm<sup>2</sup> for a "stranded wire" type cable.

**Three-position modular changeover switch I-0-II**

Type	I <sub>n</sub> [A]	Code No.	U <sub>n</sub> [V]	number of poles	utilization category	Weight [g]	Packaging [pcs]
SSQ 125	25	002421414	230	1	AC-22A	88	1/12
SSQ 225	25	002421424	400	2	AC-22A	176	1/6
SSQ 325	25	002421434	400	3	AC-22A	264	1/4
SSQ 425	25	002421444	400	4	AC-22A	352	1/3
SSQ 140	40	002421415	230	1	AC-22A	88	1/12
SSQ 240	40	002421425	400	2	AC-22A	176	1/6
SSQ 340	40	002421435	400	3	AC-22A	264	1/4
SSQ 440	40	002421445	400	4	AC-22A	352	1/3



SSQ 440

**Modular indicators SON H**

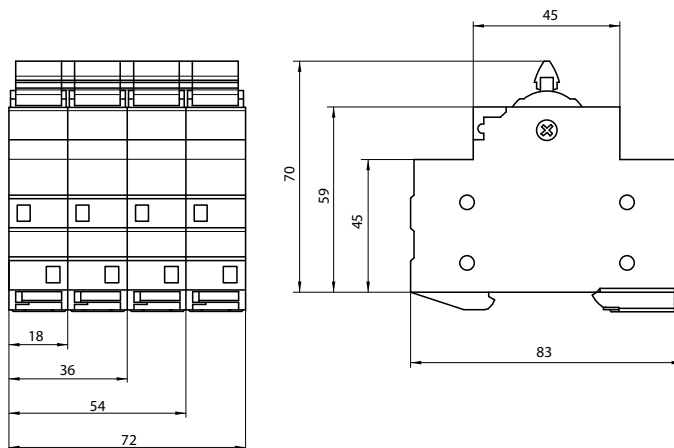
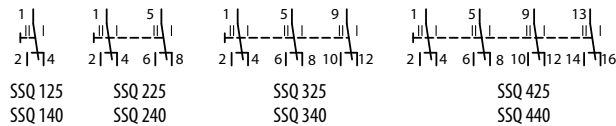
Type	Color	Code No.	Weight [g]	Packaging [pcs]
SON H-1R	1x red	002471550	40	1/400
SON H-1G	1x green	002471551	40	1/400
SON H-3R	3x red	002471552	48	1/400
SON H-3K	1x red, 1x yellow, 1x green	002471553	48	1/400
SON H-3G	3x green	002471556	48	1/400
SON H-1Y	1x yellow	002471554	40	1/400
SON H-1B	1x blue	002471555	40	1/400



Technical data

Build-in devices "EVESYS"

Technical data	
Rated voltage $U_n$	230/400V AC
Rated current $I_n$	25A, 40A
Rated frequency $f_n$	50/60 Hz
Terminals	1,5 - 16 mm <sup>2</sup> , max 1,8 Nm
Electrical insulation	>3mm contact space
Rated short-circuit making capacity	2,5 kA
Pollution degree	3 (for Switch)
Degree of protection	IP20
Width of the switch	18mm
Standards	PN-IEC 60947-3
Mounting position	any



Technical data							
	SON H-1R	SON H-1G	SON H-1Y	SON H-1B	SON H-3R	SON H-3K	SON H-3G
Rated voltage $U_n$	240V AC				3x240V AC		
Voltage tolerance	-25%...+10%						
Rated frequency $f_n$	50/60Hz						
Power consumption	0,267W (240V AC)				1,04W (240V AC)		
Diode colour	1 red	1 green	1 yellow	1 blue	3 red	1 red, 1 yellow, 1 green	3 green
Protection class	Casing: IP40, terminals IP20						
Humidity	95% (without condensation)						
Material	Self-extinguished material UL94-V0						
Cross section	1-4 mm <sup>2</sup>						
Torque	0,6 Nm						
Montage	TH35						
Width	1 Modul						
Standards	IEC EN 61000-3-2; IEC EN 61000-4						