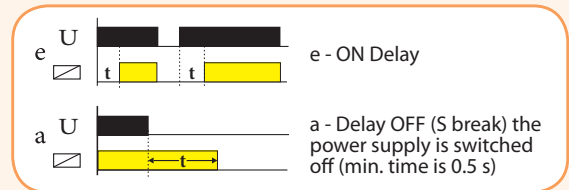


Delay OFF without supply voltage CRM-82TO

Type	Code No.	Weight [g]	Packaging [pcs]
CRM-82TO	002470074	93	1/10


Multifunction time relay CRM-91H, CRM-93H
Advantages

- 1-module, DIN rail mounted
- Universal supply voltage: AC/DC 12V - 240V
- 10 functions:
 - 5 time functions controlled via supply voltage
 - 4 time functions controlled via control input
 - 1 function of memory (latching) relay
- Time scale 0.1 s - 10 days divided into 10 ranges
- User-friendly setting of functions and time via rotary switch
- Output contact:
 - CRM-91H 1x16A changeover
 - CRM-93H 3x8A changeover
- Output indication: multifunction red LED, flashing at certain states

Functions

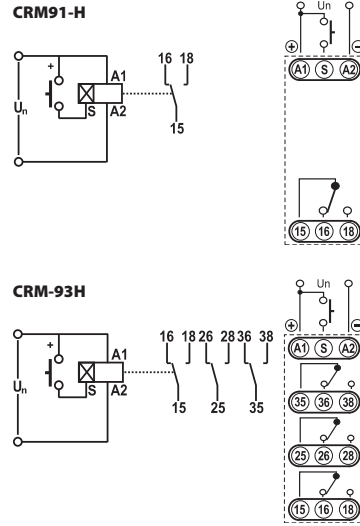
- | | | |
|--|---|--|
| a) Delay ON after energisation | a | |
| b) Delay OFF after energisation | b | |
| c) Cycler beginning with pause after energisation | c | |
| d) Cycler beginning with impulse after energisation | d | |
| e) Delay OFF after de-energisation, instant make of output | e | |
| f) Delay OFF responding to make of control contact regardless its length | f | |
| g) Delay OFF after break of control contact with instant output | g | |
| h) Delay OFF after make and break of control contact | h | |
| i) Memory (latching) relay | i | |
| j) Pulse generator | j | |

PULS = 0.5 s

Multifunction time relay CRM-91H, CRM-93H

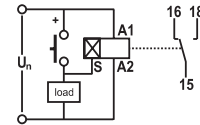
Technical data		
	CRM-91H	CRM-93H
Number of functions	10	
Supply	A1-A2	
Supply voltage	12-240 V AC/DC(50-60 Hz AC)	
Consumption	AC 0,7-3 VA / DC 0,5 - 1,7 W	
Supply indication	green LED	
Time ranges	0.1 s-10 days	
Time settings	rotary switch	
Time deviation	5%-mechanical setting	
Repeat accuracy	0,2%-set value stability	
Temperature coefficient	0,01% / °C at 20 °C	
Output		
Changeover contacts	1	3
Rated current	16 A / AC1	8 A / AC1
Breaking capacity	4000 VA / AC1,	2000 VA / AC1,
	384 W / DC	192 W / DC
Inrush current	30 A / <3 s	10 A / <3 s
Switching voltage	250 V AC1 / 24 V DC	
Min. breaking capacity DC	500 mW	
Output indication	multifunction red LED	
Mechanical life	3x10 ⁷	
Electrical life	0,7x10 ⁵	
Controlling		
Controlling voltage	12-240 V AC/DC	
Consumption of output	0,025-0,2 VA AC/ 0,1-0,7 W DC	
Load between S-A2	✓	
Glow-tubes	✗	
Control. terminals	A1-S	
Impulse length	min. 25 ms/ max. unlimited	
Reset time	max. 150 ms	
Operating temperature	-20...+55 °C	
Storing temperature	-30...+70 °C	
Electrical strength	4 kV	
Operating position	any	
Mounting	DIN rail EN 60715	
Protection degree	IP 40 from frontal panel	
Overvoltage category	III.	
Pollution degree	2	
Max. cable size	2.5 mm ²	
Dimensions	90 x 17,6 x 64 mm	
Standards	EN 61812-1, EN 61010-1	

Connection

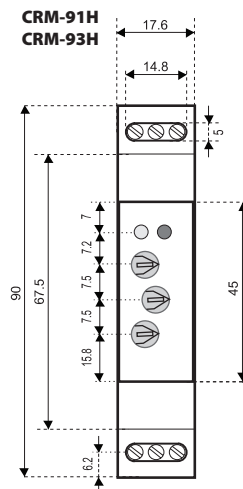


Load with control input possible.

Load between S-A2 possible to connect in parallel way, without disturbing of proper operation of the relay.



Dimensions



1-module design

