

Delay ON star/delta relay CRM-2T

Advantages

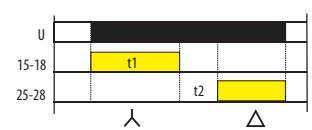
- 1-module, DIN rail mounting
- Supply voltage: AC/DC 12V - 240 V
- Generates motor starting cycle star-delta
- Time t1 (star)
 - time scale 0.1 s - 100 days is divided into 10 time ranges
 - rough time setting by rotary switch
 - fine time setting by potentiometer (from 0,1 to 1)
- Time t2 (delay) between star/delta:
 - time range 0.1 s - 1 s is set by potentiometer
- Output contact: 2x 16 A (AC 1)
- Output indication: multifunction red LED



Delay ON star/delta relay CRM-2T

Type	I _n [A]	Code No.	Weight [g]	Packaging [pcs]
CRM-2T UNI	3	002470013	95	1/10

Delay ON star/delta



Staircase switch CRM-4

Advantages

- 1-module, DIN rail mounted
- Supply voltage: AC 230 V
- Protection against control push-button blocking
- Time range: 0,5 - 10 min
- Selector switch:
 - AUTO: normal function acc. to set time
 - OFF: permanent off
 - ON: permanent on
- Time setting via potentiometer
- Output contact: 1x 16 A changeover (load up to 4000 VA/AC1)



Staircase switch CRM-4

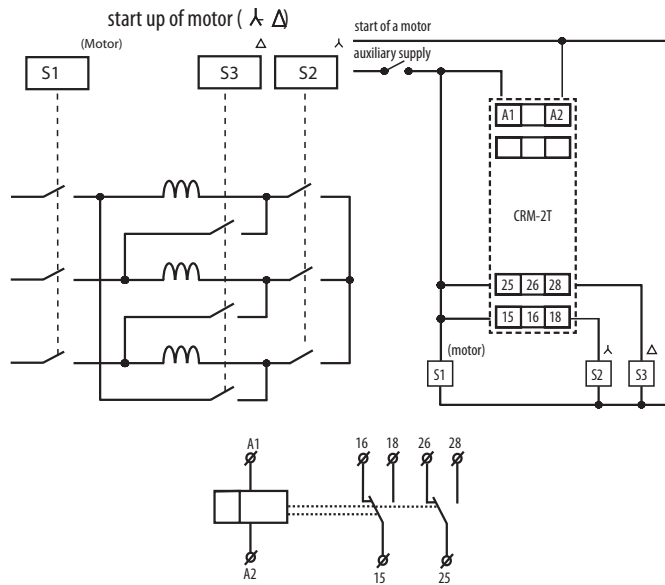
Type	I _n [A]	Code No.	Weight [g]	Packaging [pcs]
CRM-4	16	002470012	53	1/10

Delay ON star/delta CRM-2T

Technical data

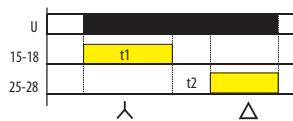
	CRM-2T
Number of functions	1
Supply	A1-A2
Universal supply	AC/DC 12-240 V (AC 50-60 Hz)
Consumption	AC 0,7-3VA/DC 0,5-1,7 W
Supply voltage tolerance	-15% - +10%
Supply indication	green LED
Time ranges	t1: 0.1 s - 100 days
Time setting	rotary switch and potentiometer
Time deviation	5%-mechanical setting
Repeat accuracy	0,2%-set value stability
Temperature coefficient	0,01% / °C at 20 °C
Output	
Number of contacts	2 x changeover (AgNi)
Rated current	16 A / AC1
Breaking capacity	4000 VA / AC1, 384 W / DC
Inrush current	30A/<3s
Switching voltage	max. 250 V AC1 / 24 V DC
Min. breaking capacity DC	500 mW
Output indication	multifunction red LED
Mechanical life	3x10 ⁷
Electrical life	0.7x10 ⁹
Reset time	max. 150 ms.
Controlling	
Operating temperature	-20...+55 °C
Storage temperature	-30...+70 °C
Electrical strength	4 kV
Operating position	any
Mounting	DIN rail EN 60715
Protection degree	IP 40 from front panel
Overtoltage category	III.
Pollution degree	2
Max. cable size	2.5 mm ²
Dimensions	90 x 17,6 x 64 mm
Standards	EN 61812-1, EN 61010-1

Connection

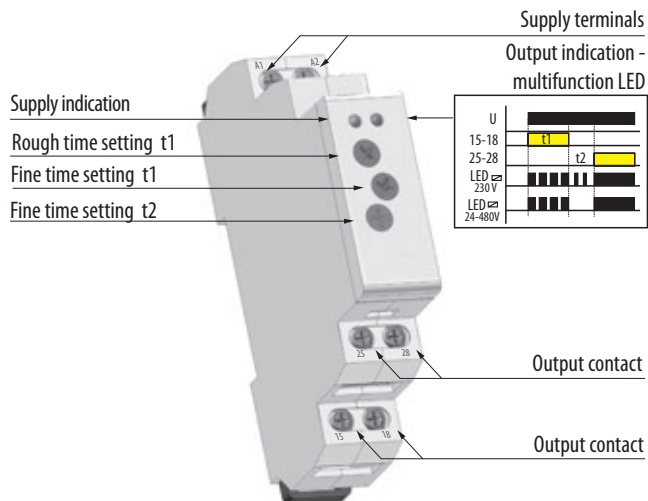


Functions

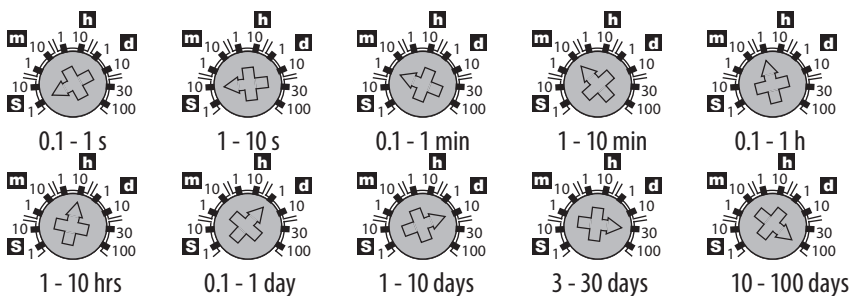
Delay ON star/delta



Description



Time ranges

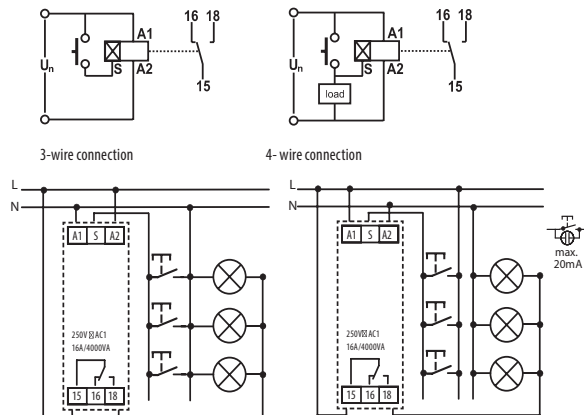


Staircase switch CRM-4

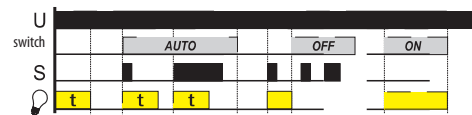
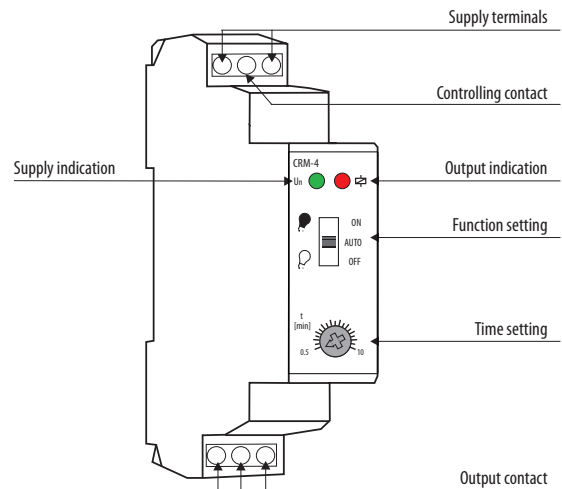
Technical data

Function	delay OFF
Supply	A1-A2
Supply voltage	230 V AC/50-60 Hz
Consumption	max. 12 VA AC/1.8 W
Supply voltage tolerance	- 15%; + 10%
Supply indication	green LED
Time ranges	0,5 - 10 min
Time setting	potentiometer
Time deviation	10% mechanical setting
Repeat accuracy	5% set value stability
Temperature coefficient	0,05% / °C -> 20 °C
Output	
Changeover contacts	1
Rated current	16 A / AC1
Breaking capacity	4000 VA / AC1, 384 W / DC
Inrush current	30 A / <3 s
Switching voltage	250 V AC1 / 24 V DC
Min. breaking capacity DC	500 mW
Output indication	red LED
Mechanical life	3x10 ⁷
Electrical life	0,7x10 ⁵
Controlling	
Control. voltage	230 V AC
Consumption of input	0,53 VA AC
Load between S-A2	yes
Glow-tubes	yes, max. 20 pcs. (at 1 mA)
Control. terminals	A1-S
Impulse length	min. 25 ms/max. unlimited
Reset time	max. 150ms
Operating temperature	-20...+55 °C
Storage temperature	-30...+70 °C
Electrical strength	4 kV (supply - output)
Operating position	any
Mounting	DIN rail EN 60715
Protection degree	IP 40 from frontal panel
Overtoltage category	III
Pollution degree	2
Max. cable size	2,5 mm ²
Dimensions	90x17, 6x64 mm
Standards	EN 60669-2-3, EN 61010-1

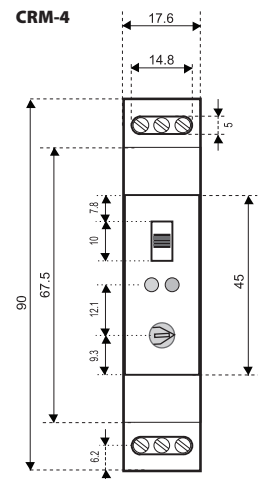
Connection



Description



Dimensions



1-module design

