



**Multifunction time relay CRM-91H, CRM-93H**

Type	I <sub>n</sub> [A]	Code No.	Weight [g]	Packaging [pcs]
CRM-91H	16	002470001	68	1/10
CRM-93H	8	002470002	93	1/10

**Time relay CRM-2H**



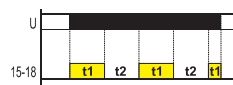
**Advantages**

- 1-module, DIN rail mounted
- Universal supply voltage: AC/DC 12V - 240V
- 2 time functions:
  - cycler beginning with pulse
  - cycler beginning with pause
- Time scale 0.1s - 100 days divided into 10 time ranges
- Rough time setting by rotary switch
- Output contact: 1x 16 A changeover
- Output indication: multifunction red LED

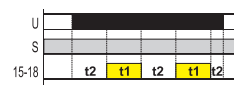
**Time relay CRM-2H**

Type	I <sub>n</sub> [A]	Code No.	Weight [g]	Packaging [pcs]
CRM-2H	16	002470003	68	1/10

Cycler beginning with pulse



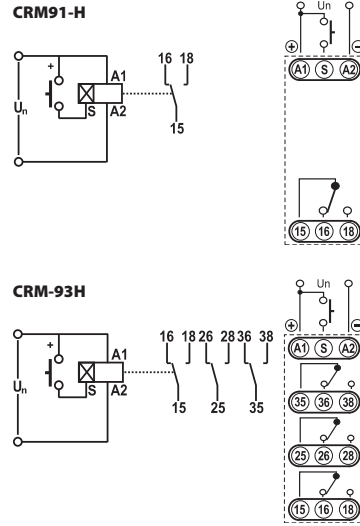
Cycler beginning with pause



# Multifunction time relay CRM-91H, CRM-93H

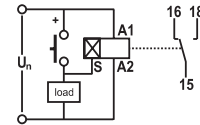
Technical data		
	CRM-91H	CRM-93H
Number of functions	10	
Supply	A1-A2	
Supply voltage	12-240 V AC/DC(50-60 Hz AC)	
Consumption	AC 0,7-3 VA / DC 0,5 - 1,7 W	
Supply indication	green LED	
Time ranges	0.1 s-10 days	
Time settings	rotary switch	
Time deviation	5%-mechanical setting	
Repeat accuracy	0,2%-set value stability	
Temperature coefficient	0,01% / °C at 20 °C	
Output		
Changeover contacts	1	3
Rated current	16 A / AC1	8 A / AC1
Breaking capacity	4000 VA / AC1, 384 W / DC	2000 VA / AC1, 192 W / DC
Inrush current	30 A / <3 s	10 A / <3 s
Switching voltage	250 V AC1 / 24 V DC	
Min. breaking capacity DC	500 mW	
Output indication	multifunction red LED	
Mechanical life	3x10 <sup>7</sup>	
Electrical life	0,7x10 <sup>5</sup>	
Controlling		
Controlling voltage	12-240 V AC/DC	
Consumption of output	0,025-0,2 VA AC/ 0,1-0,7 W DC	
Load between S-A2	✓	
Glow-tubes	✗	
Control. terminals	A1-S	
Impulse length	min. 25 ms/ max. unlimited	
Reset time	max. 150 ms	
Operating temperature	-20...+55 °C	
Storing temperature	-30...+70 °C	
Electrical strength	4 kV	
Operating position	any	
Mounting	DIN rail EN 60715	
Protection degree	IP 40 from frontal panel	
Overvoltage category	III.	
Pollution degree	2	
Max. cable size	2.5 mm <sup>2</sup>	
Dimensions	90 x 17,6 x 64 mm	
Standards	EN 61812-1, EN 61010-1	

## Connection

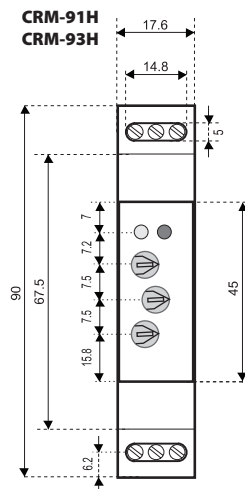


## Load with control input possible.

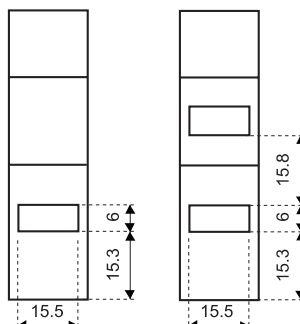
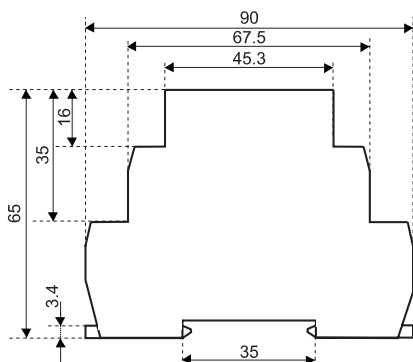
Load between S-A2 possible to connect in parallel way, without disturbing of proper operation of the relay.



## Dimensions



## 1-module design



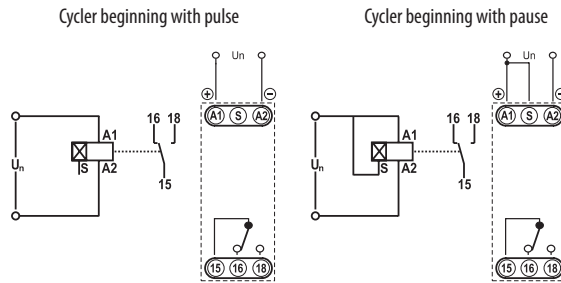
Technical data

Time relay CRM-2H

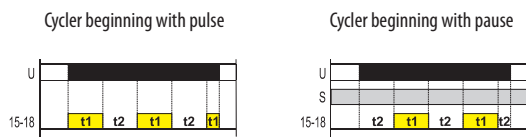
Technical data

Number of functions	2
Supply	A1-A2
Supply voltage	12-240 V AC/DC (50-60 Hz AC)
Consumption	AC 0,7-3 VA / DC 0,5 - 1,7 W
Supply indication	green LED
Time ranges	0.1 s-100 days
Time setting	rotary switch and potentiometer
Time deviation	5% mechanical setting
Repeat accuracy	0,2% set value stability
Temperature coefficient	0,01% / °C -> 20 °C
<b>Output</b>	
Changeover contacts	1
Rated current	16A / AC1
Breaking capacity	4000 VA / AC1, 384 W / DC
Inrush current	30 A / <3 s
Switching voltage	250 V AC1 / 24 V DC
Min. breaking capacity DC	500 mW
Output indication	multifunction red LED
Mechanical life	3x10 <sup>7</sup>
Electrical life	0,7x10 <sup>5</sup>
Reset time	max. 150 ms
Operating temperature	-20...+55 °C
Storage temperature	-30...+70 °C
Electrical strength	4 kV (supply-output)
Operating position	any
Mounting/DIN rail	EN 60715
Protection degree	IP 40 from frontal panel
Overvoltage category	III
Pollution degree	2
Max. cable size	2,5 mm <sup>2</sup>
Dimensions	90x17,6x64 mm <sup>2</sup>
Standards	EN 61812-1, EN 61010-1

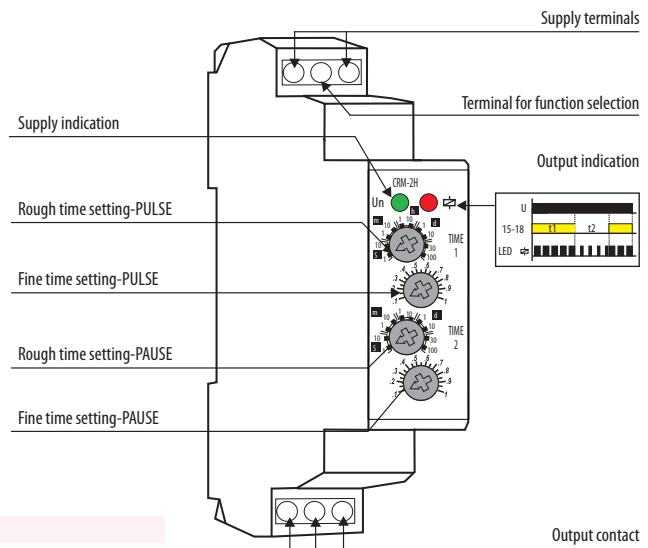
Connection



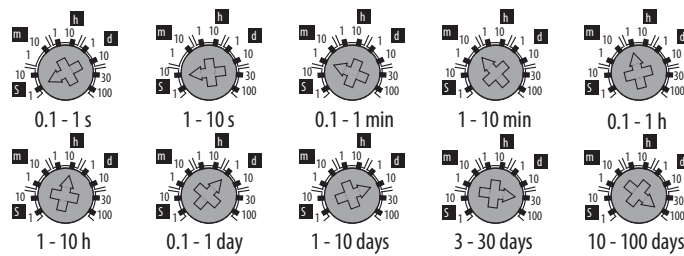
Functions



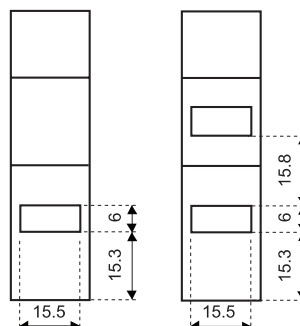
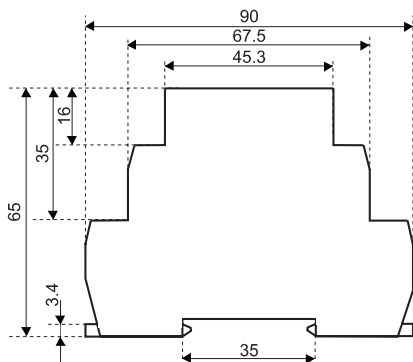
Description



Time ranges



1-module design



Dimensions

